



Chipsmall Limited consists of a professional team with an average of over 10 year of expertise in the distribution of electronic components. Based in Hongkong, we have already established firm and mutual-benefit business relationships with customers from,Europe,America and south Asia,supplying obsolete and hard-to-find components to meet their specific needs.

With the principle of “Quality Parts,Customers Priority,Honest Operation,and Considerate Service”,our business mainly focus on the distribution of electronic components. Line cards we deal with include Microchip,ALPS,ROHM,Xilinx,Pulse,ON,Everlight and Freescale. Main products comprise IC,Modules,Potentiometer,IC Socket,Relay,Connector.Our parts cover such applications as commercial,industrial, and automotives areas.

We are looking forward to setting up business relationship with you and hope to provide you with the best service and solution. Let us make a better world for our industry!



Contact us

Tel: +86-755-8981 8866 Fax: +86-755-8427 6832

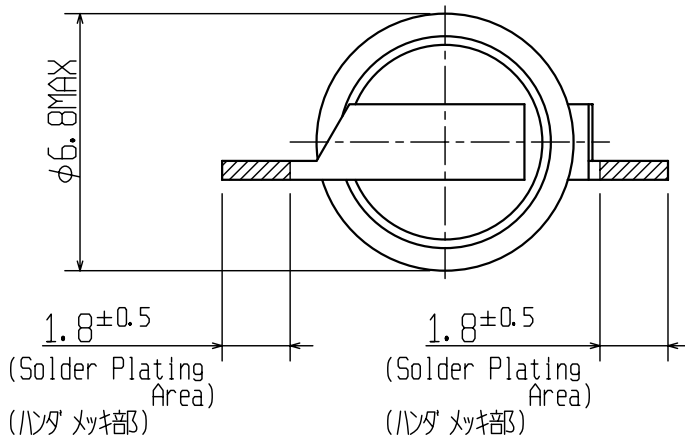
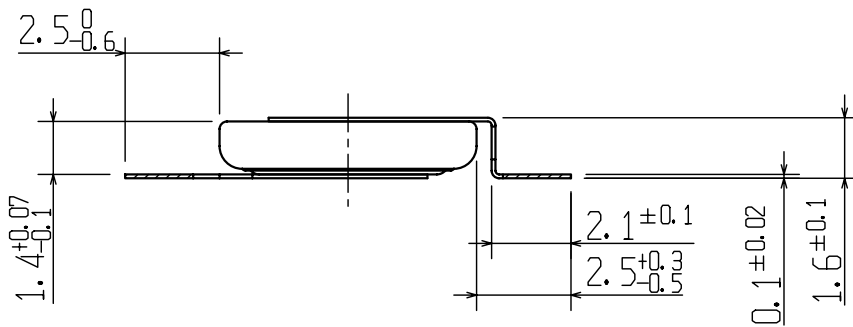
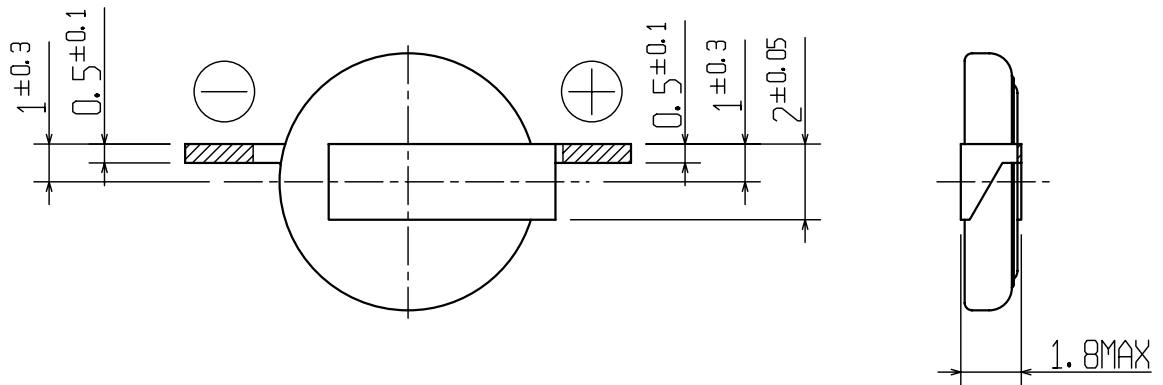
Email & Skype: info@chipsmall.com Web: www.chipsmall.com

Address: A1208, Overseas Decoration Building, #122 Zhenhua RD., Futian, Shenzhen, China



(NOTES)1. TAB pulling strength : Over 9.8N(1.0kgf)

(注)1. 端子引張強度 : 9.8N(1.0kgf) 以上



Tolerances of linear dimensions 長さ寸法公差		
Dimension 寸法		Tolerance 公差
0 - 3		±0.20
3 - 6		±0.20
6 - 30		±0.50
Tolerances of angular dimensions 角度寸法公差		
±2°		

				File No. ファイル番号	30461450-IL38E-2
				Material 材料	TAB: SUS304-Ni·P
				Process 処理	▨ : Solder plating ハンダ ヌツキ 2~4μm (Sn 100%)
E02B-059	18. Sep. '02	極性表記の追記、書式・名称変更		Date 日付	20. Dec. '01
E01A-027	20. Dec. '01	設定		Name 名称	Battery drawing with tabs 端子付電池図面
History 履歴	Date 日付	Reason 理由			
Approved 承認	Checked 検査	Drawn 製図	Scale 尺度	5:1	Cal. No. 製品番号
赤坂	冨塚	尾形	Unit 単位	1=1mm	MS614S IL38E
			Rev. 改訂	2	