



Chipsmall Limited consists of a professional team with an average of over 10 year of expertise in the distribution of electronic components. Based in Hongkong, we have already established firm and mutual-benefit business relationships with customers from,Europe,America and south Asia,supplying obsolete and hard-to-find components to meet their specific needs.

With the principle of “Quality Parts,Customers Priority,Honest Operation,and Considerate Service”,our business mainly focus on the distribution of electronic components. Line cards we deal with include Microchip,ALPS,ROHM,Xilinx,Pulse,ON,Everlight and Freescale. Main products comprise IC,Modules,Potentiometer,IC Socket,Relay,Connector.Our parts cover such applications as commercial,industrial, and automotives areas.

We are looking forward to setting up business relationship with you and hope to provide you with the best service and solution. Let us make a better world for our industry!



Contact us

Tel: +86-755-8981 8866 Fax: +86-755-8427 6832

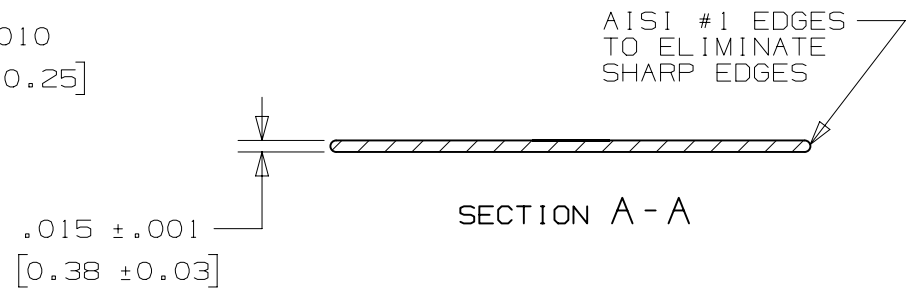
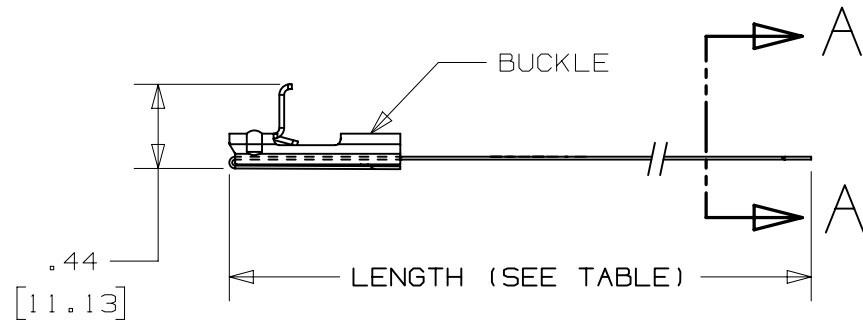
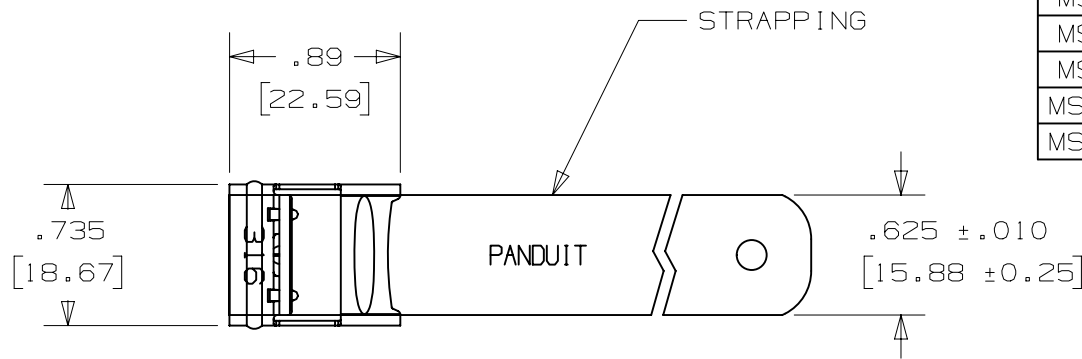
Email & Skype: info@chipsmall.com Web: www.chipsmall.com

Address: A1208, Overseas Decoration Building, #122 Zhenhua RD., Futian, Shenzhen, China



THIS COPY IS PROVIDED ON A RESTRICTED BASIS AND IS NOT TO BE USED IN ANY WAY DETRIMENTAL TO THE INTERESTS OF PANDUIT CORP.

PART NO.	MATERIAL	MAX. BUNDLE DIA [mm]	LENGTH ±.1 [2]
MS4W63T15-L4	304	4" [102]	18.0" [457]
MS4W63T15-L6	316		
MS6W63T15-L4	304	6" [152]	24.4" [620]
MS6W63T15-L6	316		
MS8W63T15-L4	304	8" [203]	30.7" [780]
MS8W63T15-L6	316		
MS10W63T15-L4	304	10" [254]	37.0" [940]
MS10W63T15-L6	316		



- NOTES: 1. APPLICATION TOOLS: BT2MS75, BT2HT
 2. ALL DIMENSIONS IN [] ARE mm.
 3. FOR MATERIAL SEE TABLE.
 4. TOLERANCES (UNLESS OTHERWISE SPECIFIED):
 .X ± .03 [.8]
 .XX ± .02 [.5]
 .XXX ± .010 [.25]

REV	DATE	BY	CHK	APR	DESCRIPTION	ECN
3	02.24.15	BDK	SKB	RGRO	UPDATED TITLE BLOCK AND BORDER	N41152BS_DC

TITLE		METAL STRAPPING .625 [15.88] WIDE		
CUSTOMER DRAWING				
ITEM REVISION NAME	N41152BS/03		PANDUIT	
DATASET FILE NAME	N41152BS/03			
UNLESS OTHERWISE SPECIFIED, DIMENSIONAL TOLERANCES ARE: IN [mm]			MATERIAL:	
.x ± .1 [2.54] .xxx ± .005 [.127]			SEE NOTES	
.xx ± .01 [.25] ANGLES ± 5 °			DRAWING NUMBER:	
THIRD ANGLE PROJECTION			N41152BS_DC	
DRAWN BY	DATE	CHK	SCALE	SIZE
BRH	9/03	EJD	FULL	A
SHT 1 OF 1				