



Chipsmall Limited consists of a professional team with an average of over 10 year of expertise in the distribution of electronic components. Based in Hongkong, we have already established firm and mutual-benefit business relationships with customers from,Europe,America and south Asia,supplying obsolete and hard-to-find components to meet their specific needs.

With the principle of “Quality Parts,Customers Priority,Honest Operation,and Considerate Service”,our business mainly focus on the distribution of electronic components. Line cards we deal with include Microchip,ALPS,ROHM,Xilinx,Pulse,ON,Everlight and Freescale. Main products comprise IC,Modules,Potentiometer,IC Socket,Relay,Connector.Our parts cover such applications as commercial,industrial, and automotives areas.

We are looking forward to setting up business relationship with you and hope to provide you with the best service and solution. Let us make a better world for our industry!



Contact us

Tel: +86-755-8981 8866 Fax: +86-755-8427 6832

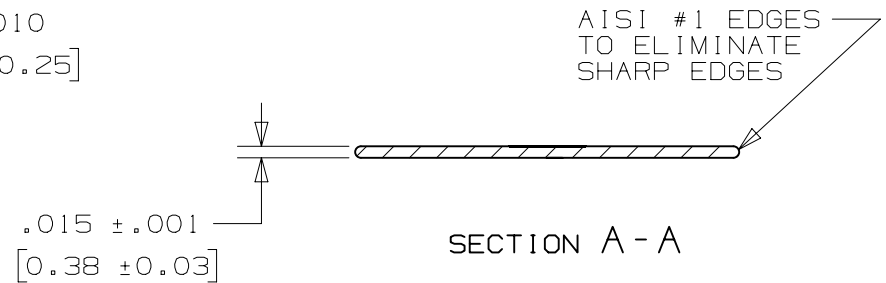
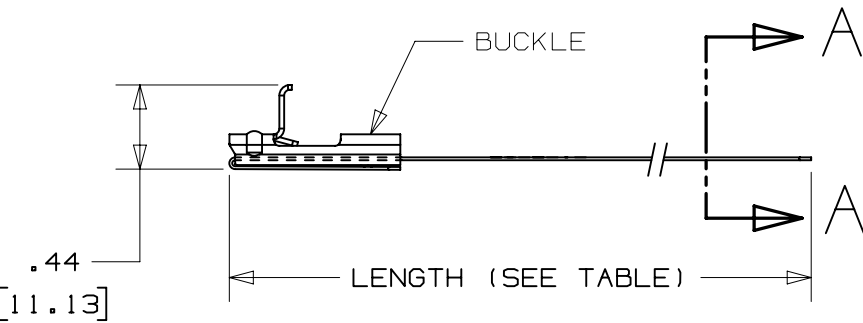
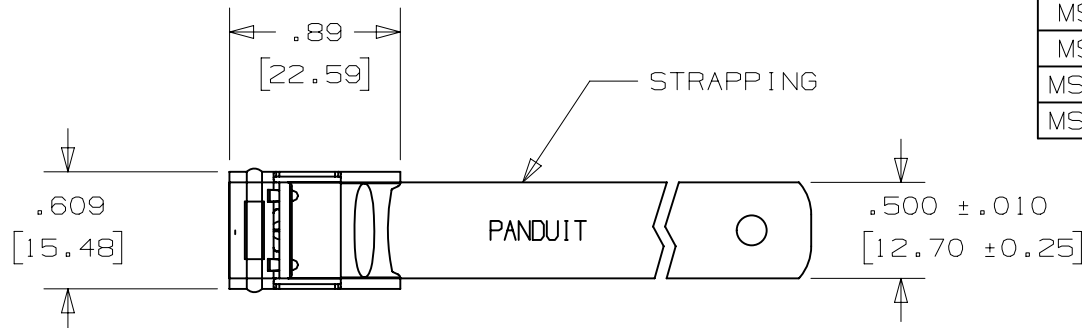
Email & Skype: info@chipsmall.com Web: www.chipsmall.com

Address: A1208, Overseas Decoration Building, #122 Zhenhua RD., Futian, Shenzhen, China



THIS COPY IS PROVIDED ON A RESTRICTED BASIS AND IS NOT TO BE USED IN ANY WAY DETRIMENTAL TO THE INTERESTS OF PANDUIT CORP.

PART NO.	MATERIAL	MAX. BUNDLE DIA [mm]	LENGTH ±.1 (2)
MS4W50T15-L4	304	4" [102]	18.0" [457]
MS4W50T15-L6	316		
MS6W50T15-L4	304	6" [152]	24.4" [620]
MS6W50T15-L6	316		
MS8W50T15-L4	304	8" [203]	30.7" [780]
MS8W50T15-L6	316		
MS10W50T15-L4	304	10" [254]	37.0" [940]
MS10W50T15-L6	316		



NOTES:

1. APPLICATION TOOLS: BT2MS75, BT2HT
2. ALL DIMENSIONS IN BRACKETS [] ARE MILLIMETERS.
3. FOR MATERIAL SEE TABLE.
4. TOLERANCES (UNLESS OTHERWISE SPECIFIED):
 .X ± .03 [.8]
 .XX ± .02 [.5]
 .XXX ± .01 [.25]

REV	DATE	BY	CHK	APR	DESCRIPTION	ECN
3	02.24.15	BDK	SKB	RGR0	UPDATED TITLE BLOCK AND BORDER	N41151BS_DC

TITLE METAL STRAPPING .500 [12.70] WIDE		CUSTOMER DRAWING	
ITEM REVISION NAME N41151BS/02		PANDUIT	
DATASET FILE NAME N41151BS_DC/02A			
UNLESS OTHERWISE SPECIFIED, DIMENSIONAL TOLERANCES ARE: IN [mm] .x ± .1 [2.54] .xxx ± .005 [.127] .xx ± .01 [.25] ANGLES ± 5 °		MATERIAL: SEE NOTES	
DRAWN BY BRH		DRAWING NUMBER: N41151BS_DC	
DATE 9/23	CHK EJD	SCALE FULL	SHT 1 OF 1
THIRD ANGLE PROJECTION		SIZE A	

D10100DA/16