



Chipsmall Limited consists of a professional team with an average of over 10 year of expertise in the distribution of electronic components. Based in Hongkong, we have already established firm and mutual-benefit business relationships with customers from,Europe,America and south Asia,supplying obsolete and hard-to-find components to meet their specific needs.

With the principle of “Quality Parts,Customers Priority,Honest Operation,and Considerate Service”,our business mainly focus on the distribution of electronic components. Line cards we deal with include Microchip,ALPS,ROHM,Xilinx,Pulse,ON,Everlight and Freescale. Main products comprise IC,Modules,Potentiometer,IC Socket,Relay,Connector.Our parts cover such applications as commercial,industrial, and automotives areas.

We are looking forward to setting up business relationship with you and hope to provide you with the best service and solution. Let us make a better world for our industry!



Contact us

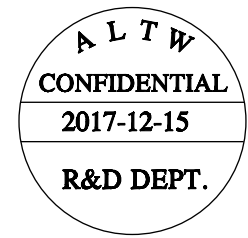
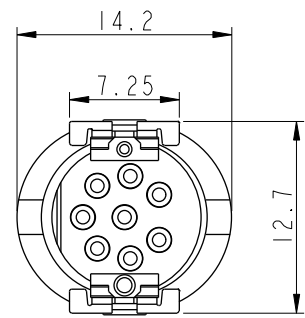
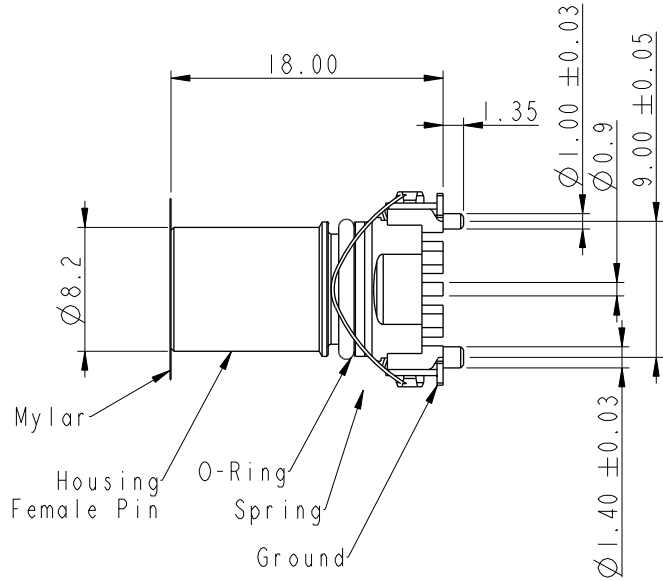
Tel: +86-755-8981 8866 Fax: +86-755-8427 6832

Email & Skype: info@chipsmall.com Web: www.chipsmall.com

Address: A1208, Overseas Decoration Building, #122 Zhenhua RD., Futian, Shenzhen, China

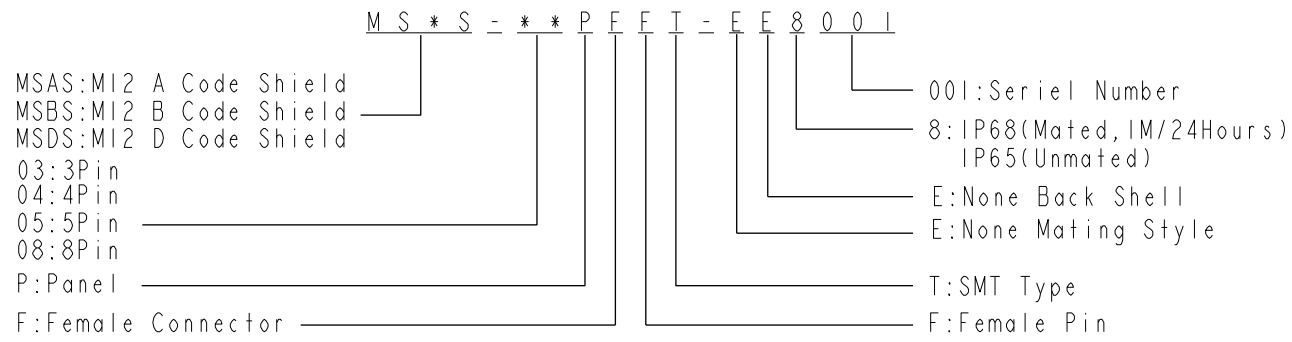


REV.	ECN NO.	DATE	SIGN	DESCRIPTION
A	Initial Release	2017/12/15	Arvin Chan	Change Rev.01 To Rev.A



Note:

- * \varnothing Important Dimension,
- Material Specification :
 - * Housing : Thermoplastic
 - * Female Pin : Copper Alloy, Gold Plated
 - * Ground : Copper Alloy, Tin Plated
 - * Spring : Stainless Steel
 - * O-Ring : Silicone, Gray
- Electrical Specification :
 - * Contact Resistance : 10m Ω Max.
 - * Insulation Resistance : 100M Ω min.
 - * Dielectric Withstanding Voltage : 1KV
 - * Rated Voltage : 3Pin&4Pin 250V d.c. or a.c.
5Pin 60V d.c. or a.c.
8Pin 30V d.c. or a.c.
 - * Rated Current : 3Pin,4Pin&5Pin 4A
8Pin 2A
- Mechanical Specification :
 - * Durability : 1000 Cycles(IEC : 100 Cycles)
- Environmental Specification :
 - * Temperature Range : -55~125°C
 - * Salt Spray : 48h
 - * SMT Temperature & Time : 260°C/5Sec
 - * SMT Paste : 0.12mm min.



UNIT: mm		
TOLERANCE	.X ±0.25	.XX ±0.1
	.XXX ±0.05	ANGLES ±1°

TITLE M12 F CONN F PIN SMT TYPE			
SCALE 1:1	SIZE A4	SHEET 1 OF 4	
REV. A	WC-REV. A.2	QC: Inspection item	

Amphenol LTW
安費諾亮泰企業股份有限公司

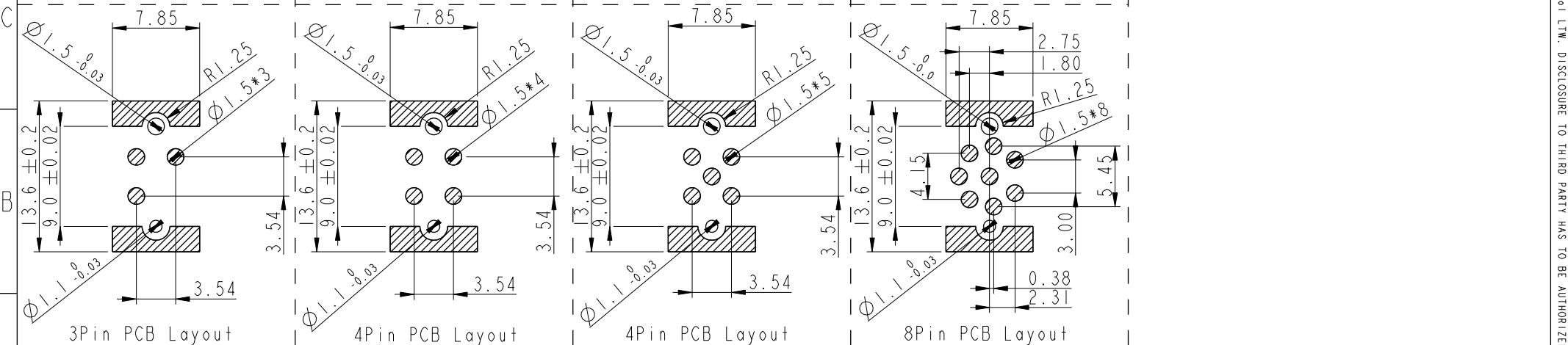
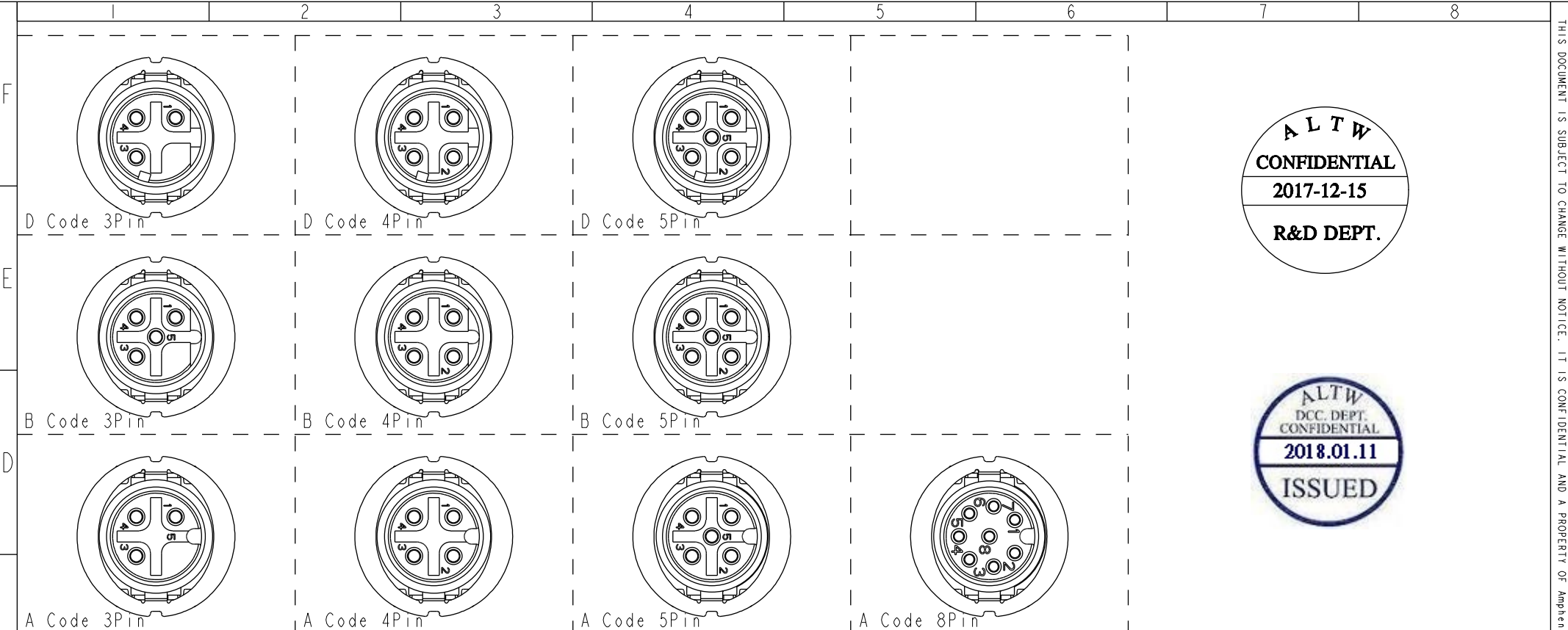
ITEM NO	DRAWN BY Arvin Chan	DATE 2017-12-15
DWG NO MSXS-XXPFFT-EE8XXX	CHECKED BY Aric Ko	DATE 2017-12-15
CUSTOMER ALTW	APPROVED BY Kevin Hu	DATE 2017-12-15

THIS DOCUMENT IS SUBJECT TO CHANGE WITHOUT NOTICE. IT IS CONFIDENTIAL AND A PROPERTY OF AMPHENOL LTW. DISCLOSURE TO THIRD PARTY HAS TO BE AUTHORIZED BY AMPHENOL LTW.

THIS DOCUMENT IS SUBJECT TO CHANGE WITHOUT NOTICE. IT IS CONFIDENTIAL AND A PROPERTY OF Amphenol LTW. DISCLOSURE TO THIRD PARTY HAS TO BE AUTHORIZED BY Amphenol LTW.

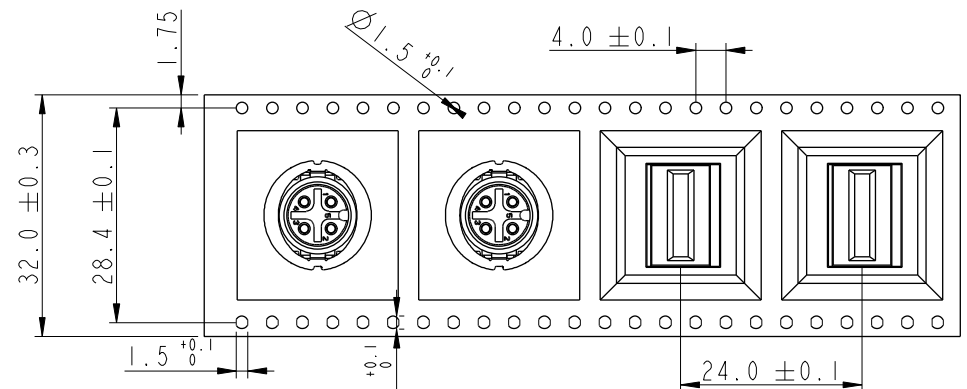
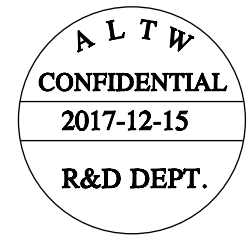
ALTW
CONFIDENTIAL
 2017-12-15
R&D DEPT.

ALTW
 DCC. DEPT.
 CONFIDENTIAL
 2018.01.11
ISSUED

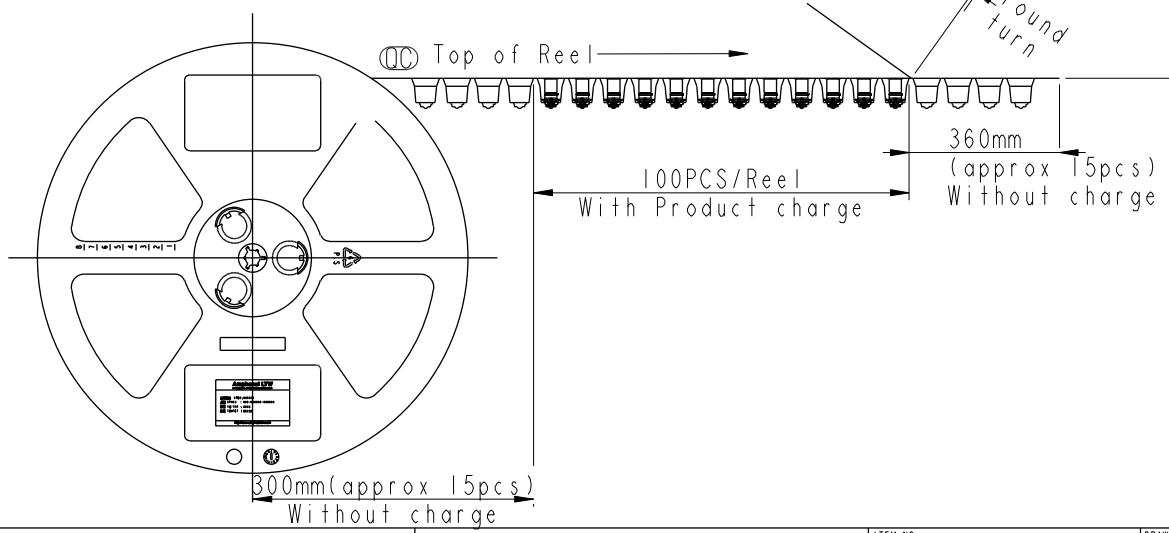
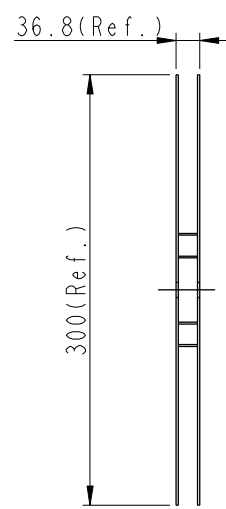
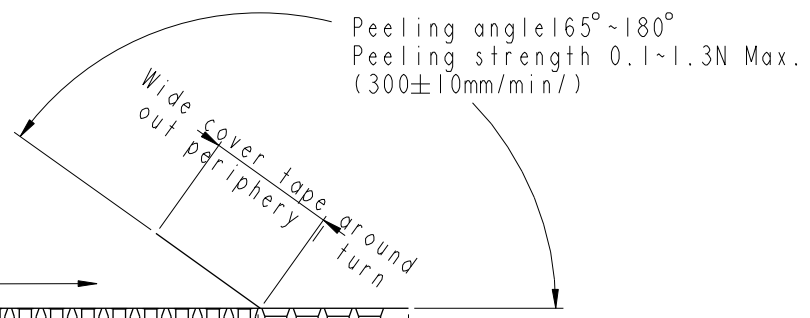
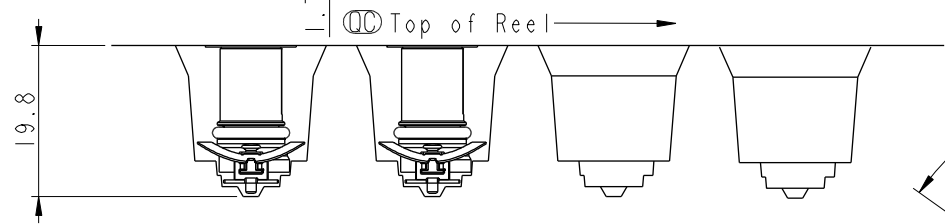


UNIT: mm TOLERANCE .X ±0.25 .XX ±0.1 .XXX ±0.05 ANGLES ±1°			TITLE M12 F CONN F PIN SMT TYPE	<h2 style="margin: 0;">Amphenol LTW</h2> 安費諾亮泰企業股份有限公司	ITEM NO MSXS-XXPFFT-EE8XXX	DRAWN BY Arvin Chan	DATE 2017-12-15	
	SCALE 1:1 SIZE A4 SHEET 2 OF 4			REV. A WC-REV. .0 Inspection item	CUSTOMER ALTW	CHECKED BY Aric Ko	DATE 2017-12-15	APPROVED BY Kevin Hu

THIS DOCUMENT IS SUBJECT TO CHANGE WITHOUT NOTICE. IT IS CONFIDENTIAL AND A PROPERTY OF AMPHENOL LTW. DISCLOSURE TO THIRD PARTY HAS TO BE AUTHORIZED BY AMPHENOL LTW.



NOTE:
 (CC)* Connector Orient follow Drawing



UNIT: mm		
TOLERANCE	.X ±0.25	
	.XX ±0.1	
	.XXX ±0.05	
ANGLES	±1°	

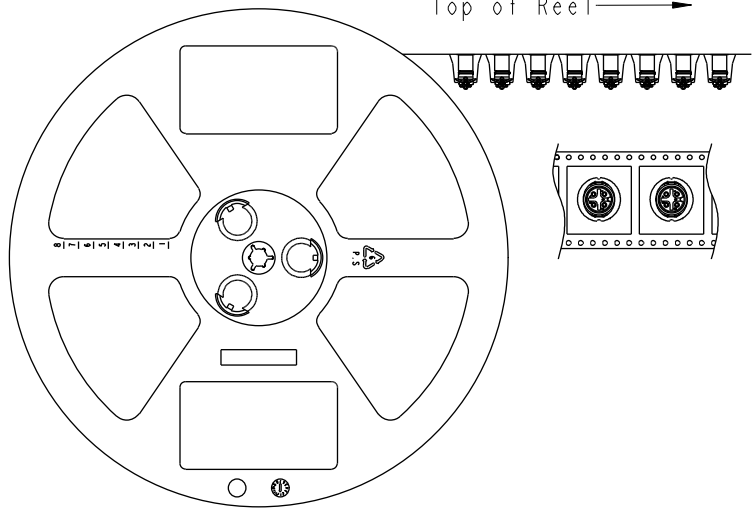
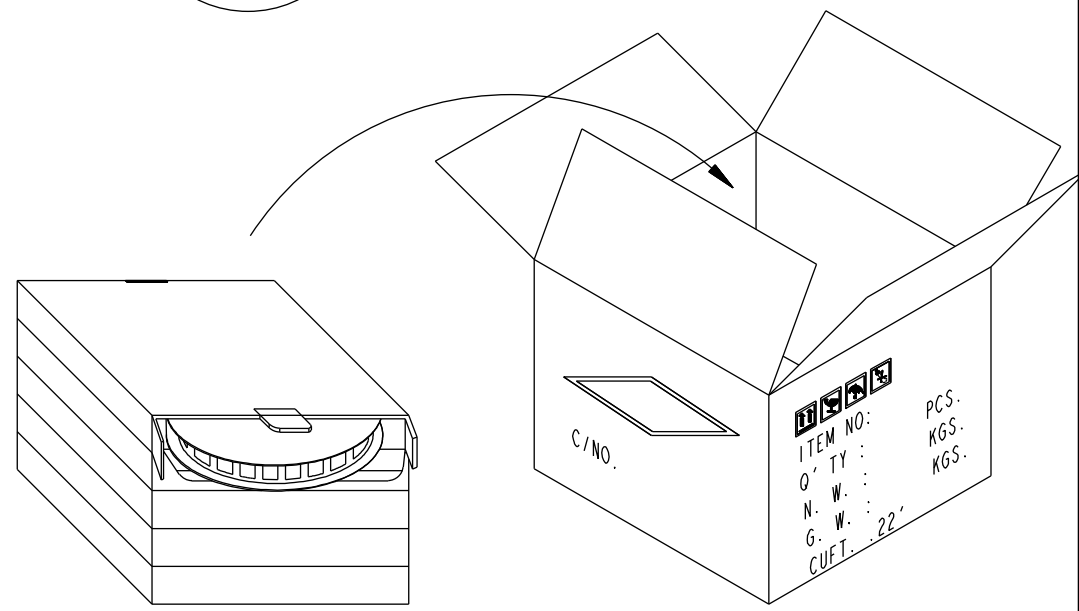
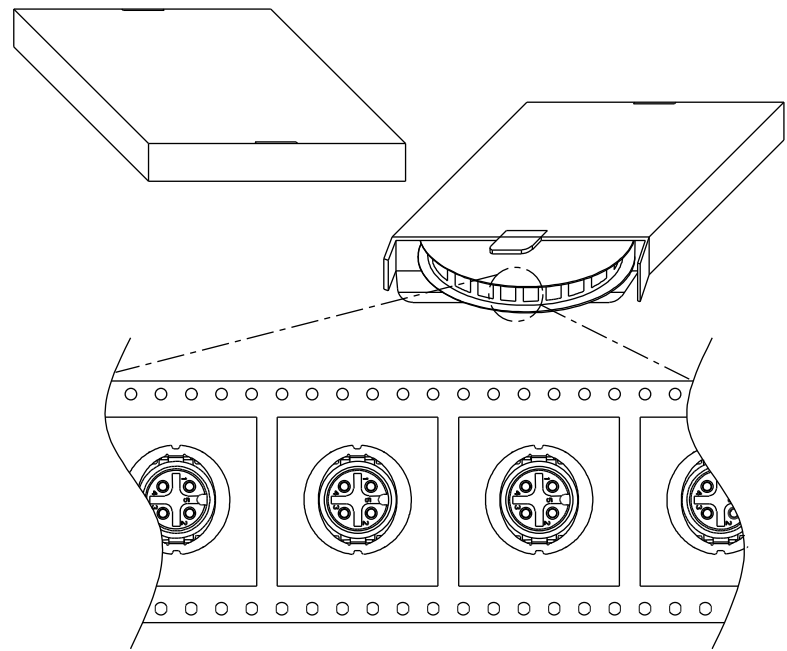
TITLE M12 F CONN F PIN SMT TYPE			
SCALE 1:1	SIZE A4	SHEET 3 OF 4	
REV. A	WC-REV. .0	(CC): Inspection item	

Amphenol LTW
 安費諾亮泰企業股份有限公司

ITEM NO	DRAWN BY Arvin Chan	DATE 2017-12-15
DWG NO MSXS-XXPFFT-EE8XXX	CHECKED BY Aric Ko	DATE 2017-12-15
CUSTOMER ALTW	APPROVED BY Kevin Hu	DATE 2017-12-15

THIS DOCUMENT IS SUBJECT TO CHANGE WITHOUT NOTICE. IT IS CONFIDENTIAL AND A PROPERTY OF AMPHENOL LTW. DISCLOSURE TO THIRD PARTY HAS TO BE AUTHORIZED BY AMPHENOL LTW.

ALTW
CONFIDENTIAL
 2017-12-15
R&D DEPT.



Note:
 100 PCS(Connector)/Tape&Reel Put in a Box
 5PCS(Max.) Box Put in a Carton

ALTW
DCC. DEPT.
CONFIDENTIAL
 2018.01.11
ISSUED

UNIT: mm TOLERANCE .X ±0.25 .XX ±0.1 .XXX ±0.05 ANGLES ±1°		TITLE MI2 F CONN F PIN SMT TYPE			ITEM NO. MSXS-XXPFFT-EE8XXX		DRAWN BY Arvin Chan		DATE 2017-12-15	
		SCALE 1:1		SIZE A4	SHEET 4 OF 4		CHECKED BY Aric Ko		DATE 2017-12-15	
		REV. A	WC-REV. .0	QC: Inspection item		APPROVED BY Kevin Hu		DATE 2017-12-15		
<h2 style="margin: 0;">Amphenol LTW</h2> <p style="margin: 0;">安費諾亮泰企業股份有限公司</p>				ALTW						