



Chipsmall Limited consists of a professional team with an average of over 10 year of expertise in the distribution of electronic components. Based in Hongkong, we have already established firm and mutual-benefit business relationships with customers from,Europe,America and south Asia,supplying obsolete and hard-to-find components to meet their specific needs.

With the principle of “Quality Parts,Customers Priority,Honest Operation,and Considerate Service”,our business mainly focus on the distribution of electronic components. Line cards we deal with include Microchip,ALPS,ROHM,Xilinx,Pulse,ON,Everlight and Freescale. Main products comprise IC,Modules,Potentiometer,IC Socket,Relay,Connector.Our parts cover such applications as commercial,industrial, and automotives areas.

We are looking forward to setting up business relationship with you and hope to provide you with the best service and solution. Let us make a better world for our industry!



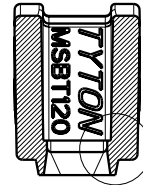
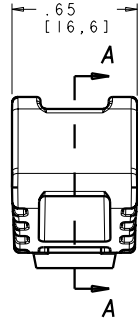
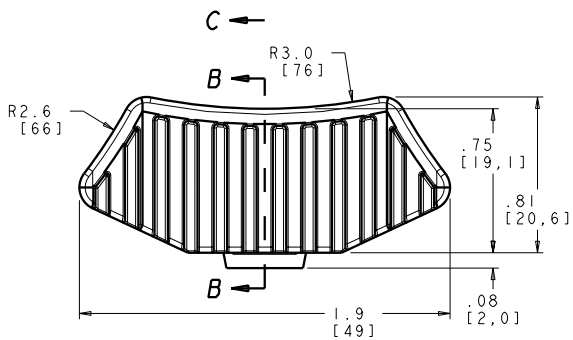
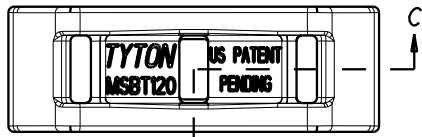
## Contact us

Tel: +86-755-8981 8866 Fax: +86-755-8427 6832

Email & Skype: info@chipsmall.com Web: www.chipsmall.com

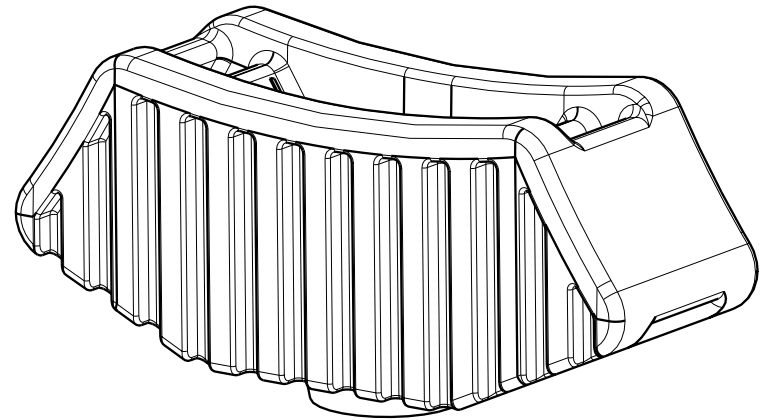
Address: A1208, Overseas Decoration Building, #122 Zhenhua RD., Futian, Shenzhen, China



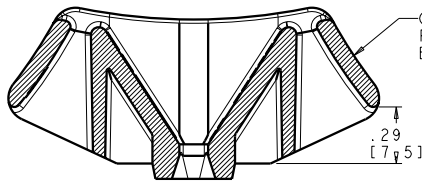


SECTION B-B

SEE DETAIL Z



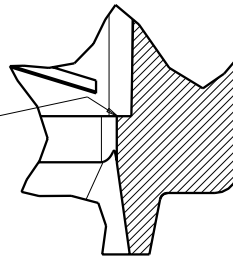
SCALE 2/1



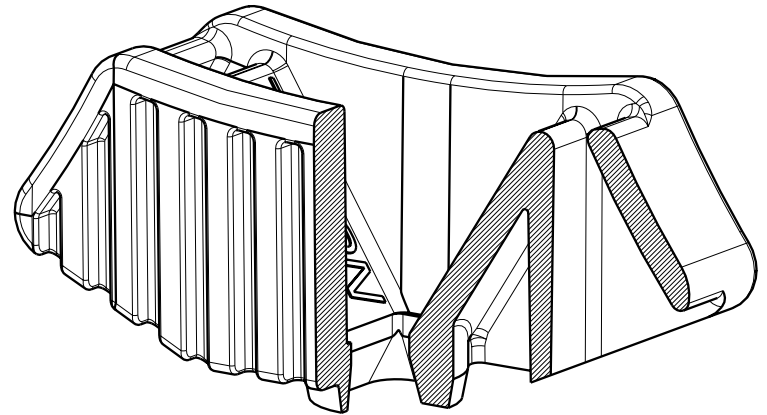
SECTION A-A

OUTSIDE CURVES PROVIDE ADDITIONAL BUNDLE MOUNTING

LEDGE RETAINS SECONDARY STRAP ARROWS ON BT120LD FOR EASE OF ASSEMBLY



DETAIL Z  
SCALE 4/1



SECTION C-C  
SCALE 2/1

FEATURES:

- \* STANDS OFF BUNDLE AWAY FROM FRAME RAIL PROTRUSIONS
- \* CRADLES HARNESS WITH BROAD SURFACE CONTACT TO MINIMIZE PINCHING & CRUSHING OF BUNDLES
- \* CENTER CRADLE WILL HANDLE BUNDLES RANGING FROM 1/4" TO 6"
- \* 2 OUTSIDE CURVES PROVIDE ADDITIONAL MOUNTING FOR UP TO 3 BUNDLES TOTAL
- \* SADDLE SNAPS ONTO BT120LD & BT120LLD BUTTON HEAD TIE STRAPS - LOCKING STRAPS ONTO FRAME RAIL
- \* ALLOWS STRAPS TO BE PREASSEMBLED TO FRAME RAIL PRIOR TO HARNESES BEING BROUGHT IN
- \* INSIDE FUNNEL CROSS SECTION AIDS GUIDING THE STRAP BACK THROUGH THE FRAME RAIL & BUTTON HEAD
- \* PILOT BUSHING ELIMINATES STRAP CHAFFING WITH BURR EDGE OF HOLE
- \* MOUNTING HOLE DIAMETER RANGE = .440" TO .820"

INVENTORS

**HellermannTyton®**

ALL PROPRIETARY RIGHTS IN THE SUBJECT MATTER SHOWN ON THIS DRAWING ARE EXCLUSIVE PROPERTY OF HELLERMANNTYTON

name	date	city, state
GERRY GEIGER	10/30/98	JACKSON WI

REVISION

level	date	by	date	ECN #	part level
B	5/30/00	GGG		001901	B

DIMENSIONS

.XXXX= ±0.0050
.XXX= ±0.010
.XX= ±0.02
.X= ±0.1
∠= ±0.5
unless otherwise specified
units inches / MM

PART

number	MSBT120	phase	PRODUCTION
name	SADDLE MOUNT FOR BT120LD		
material	HIGH IMPACT, HEAT STABILIZED, NYLON 6/6 BLACK PER MTS1011		

DRAWING

FORMAT AH version J	CAD PRO-E	scale 1/1
computer file number	previous number	
drawn G GEIGER	checked	approved
11/19/98		
type CUSTOMER	sheet 1 of 1	
number	MT2019006CST	