



Chipsmall Limited consists of a professional team with an average of over 10 year of expertise in the distribution of electronic components. Based in Hongkong, we have already established firm and mutual-benefit business relationships with customers from,Europe,America and south Asia,supplying obsolete and hard-to-find components to meet their specific needs.

With the principle of “Quality Parts,Customers Priority,Honest Operation,and Considerate Service”,our business mainly focus on the distribution of electronic components. Line cards we deal with include Microchip,ALPS,ROHM,Xilinx,Pulse,ON,Everlight and Freescale. Main products comprise IC,Modules,Potentiometer,IC Socket,Relay,Connector.Our parts cover such applications as commercial,industrial, and automotives areas.

We are looking forward to setting up business relationship with you and hope to provide you with the best service and solution. Let us make a better world for our industry!



Contact us

Tel: +86-755-8981 8866 Fax: +86-755-8427 6832

Email & Skype: info@chipsmall.com Web: www.chipsmall.com

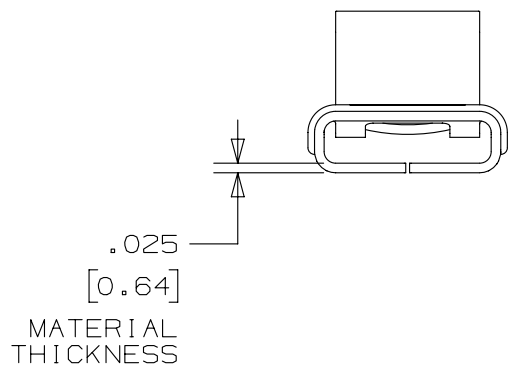
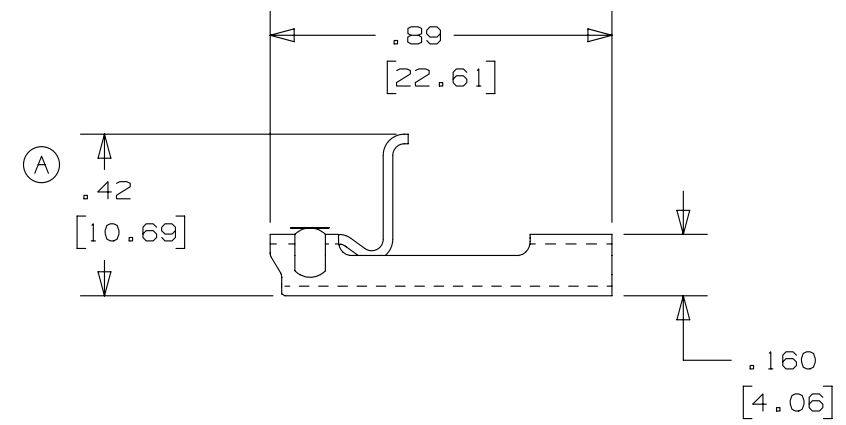
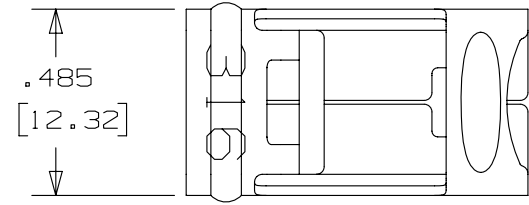
Address: A1208, Overseas Decoration Building, #122 Zhenhua RD., Futian, Shenzhen, China



THIS COPY IS PROVIDED ON A RESTRICTED BASIS AND IS NOT TO BE USED IN ANY WAY DETRIMENTAL TO THE INTERESTS OF PANDUIT CORP.

ⓑ

- NOTES: 1. FOR USE WITH PANDUIT, MSW38T15-CR4 & MSW38T15-CR6 CONTINUOUS STRAPPING.
2. APPLICATION TOOL: BT2MS75, BT2HT
3. DIMENSIONS IN BRACKETS [] ARE IN MILLIMETERS
4. UNLESS OTHERWISE SPECIFIED TOLERANCES ARE:
 .XX = ±.02 [.5]
 .XXX = ±.010 [.25]
5. MATERIAL: 304 OR 316 STAINLESS STEEL



REV	DATE	BY	CHK	APR	DESCRIPTION	ECN
04A	3/13	JAMB	MIM	RGRO	UPDATE DRAWING TO NEW GLOBAL PANDUIT TITLE BLOCK WITH PANDUIT LOGO	SSECN01042
03A	10/08	JAMB	SKB	JJB	ORIG CAD FILE SPEC WAS S41147_03. NOTE 2: APPLICATION TOOL BT1HT REPLACED BY BT2HT	-----
03	10/04	JAMB	EJD	JJB	Ⓒ STRAPPING PART NO'S. IN TITLE BLOCK CHANGED TO BUCKLE PART NO'S. DUE TO A TYPING ERROR	12067
02	9/04	JAMB	EJD	JJB	ⓑ VOIDED PART NO'S. MS375X15-TSR & MS375X15-TSR316 & REPLACED BY PART NO'S. MSW38T15-CR4 & MSW38T15-CR6 ON NOTE 1	12052
01	3/04	BRH	EJD	JJB	Ⓐ CHANGED TO .42", WAS .43"	11500
00	9/03	BRH	EJD	JJB	DRAWING RELEASED	11154

TITLE .375 in [9.52] ENHANCED METAL STRAPPING BUCKLE Ⓒ MSBW38-C4 & MSBW38-C6		PANDUIT
CUSTOMER DRAWING		
ITEM REVISION NAME N41147BS/04	MATERIAL: SEE NOTES	
DATASET FILE NAME N41147BS_DC/04A		
UNLESS OTHERWISE SPECIFIED, DIMENSIONAL TOLERANCES ARE: IN [mm] .x ± .1 [2.54] .xxx ± .005 [.127] .xx ± .01 [.25] ANGLES ± 5 °		DRAWING NUMBER: N41147BS_DC
THIRD ANGLE PROJECTION		
DRAWN BY BRH	DATE 9/03	CHK EJD
SCALE 2:1	SHT 1 OF 1	
SIZE A		