



Chipsmall Limited consists of a professional team with an average of over 10 year of expertise in the distribution of electronic components. Based in Hongkong, we have already established firm and mutual-benefit business relationships with customers from,Europe,America and south Asia,supplying obsolete and hard-to-find components to meet their specific needs.

With the principle of “Quality Parts,Customers Priority,Honest Operation,and Considerate Service”,our business mainly focus on the distribution of electronic components. Line cards we deal with include Microchip,ALPS,ROHM,Xilinx,Pulse,ON,Everlight and Freescale. Main products comprise IC,Modules,Potentiometer,IC Socket,Relay,Connector.Our parts cover such applications as commercial,industrial, and automotives areas.

We are looking forward to setting up business relationship with you and hope to provide you with the best service and solution. Let us make a better world for our industry!



Contact us

Tel: +86-755-8981 8866 Fax: +86-755-8427 6832

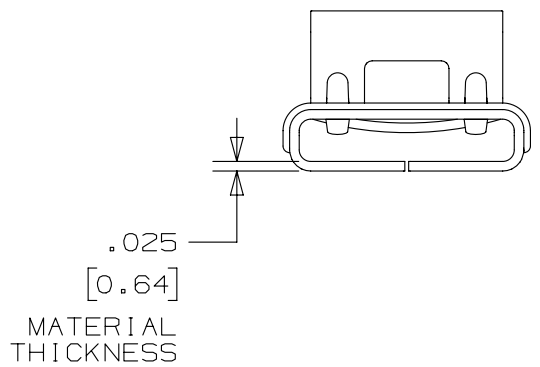
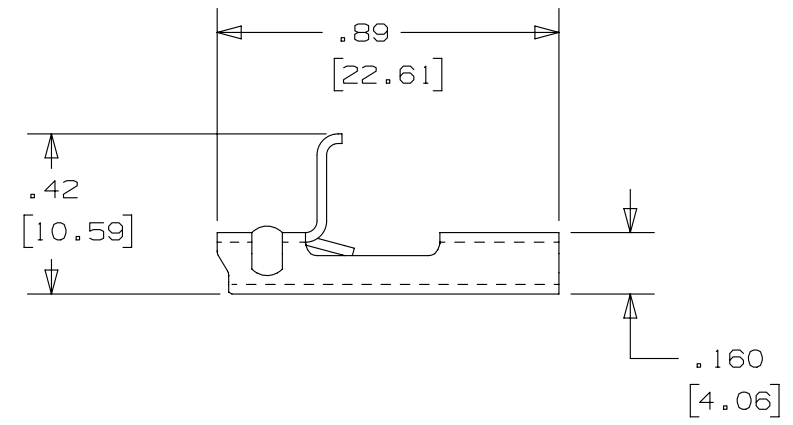
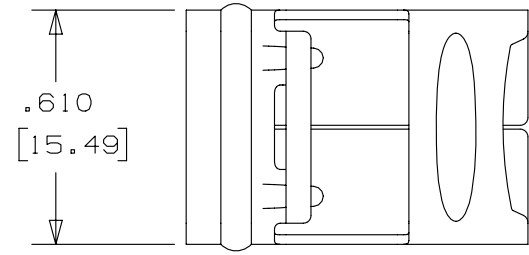
Email & Skype: info@chipsmall.com Web: www.chipsmall.com

Address: A1208, Overseas Decoration Building, #122 Zhenhua RD., Futian, Shenzhen, China



THIS COPY IS PROVIDED ON A RESTRICTED BASIS AND IS NOT TO BE USED IN ANY WAY DETRIMENTAL TO THE INTERESTS OF PANDUIT CORP.

- NOTES: 1. FOR USE WITH PANDUIT MSW50T15-CR4 & MSW50T15-CR6 CONTINUOUS STRAPPING. ^(A)
2. APPLICATION TOOL: BT2MS75, BT2HT
3. DIMENSIONS IN BRACKETS [] ARE IN MILLIMETERS
4. UNLESS OTHERWISE SPECIFIED TOLERANCES ARE:
 .XX = ±.02 [.5]
 .XXX = ±.010 [.25]
5. MATERIAL: 304 OR 316 STAINLESS STEEL



REV	DATE	BY	CHK	APR	DESCRIPTION	ECN
03A	3/13	JAMB	MIM	RGRO	UPDATED DRAWING TO NEW GLOBAL PANDUIT TITLE BLOCK WITH PANDUIT LOGO	SSECN01042
02A	10/08	JAMB	SKB	---	ORIG CAD FILE SPEC WAS S41148_02. NOTE 2: APPLICATION TOOL BT1HT REPLACED BY BT2HT	-----
02	10/04	JAMB	EJD	JJB	Ⓢ STRAPPING PART NO'S. IN TITLE BLOCK CHANGED TO BUCKLE PART NO'S., DUE TO TYPING ERROR	12067
01	9/04	JAMB	EJD	JJB	Ⓢ VOIDED PART NO'S. MS500X15-TSR & MS500X15-TSR316 & REPLACED BY PART NO'S. MSW50T15-CR4 & MSW50T15-CR6 ON NOTE 1	12052
00	9/03	BRH	EJD	JJB	DRAWING RELEASED	11154

TITLE .500 in [12.70] ENHANCED METAL STRAPPING BUCKLE Ⓢ MSBW50-C4 & MSBW50-C6			
CUSTOMER DRAWING			
ITEM REVISION NAME N41148BS/03		PANDUIT	
DATASET FILE NAME N41148BS_DC/03A			
UNLESS OTHERWISE SPECIFIED, DIMENSIONAL TOLERANCES ARE: IN [mm]		MATERIAL: SEE NOTES	
.x ± .1 [2.54] .xxx ± .005 [.127] .xx ± .01 [.25] ANGLES ± 5 °		DRAWING NUMBER: N41148BS_DC	
THIRD ANGLE PROJECTION		DRAWN BY: BRH DATE: 9/03 CHK: EJD SCALE: 2:1	
SHT 1 OF 1		SIZE: A	