



Chipsmall Limited consists of a professional team with an average of over 10 year of expertise in the distribution of electronic components. Based in Hongkong, we have already established firm and mutual-benefit business relationships with customers from,Europe,America and south Asia,supplying obsolete and hard-to-find components to meet their specific needs.

With the principle of “Quality Parts,Customers Priority,Honest Operation,and Considerate Service”,our business mainly focus on the distribution of electronic components. Line cards we deal with include Microchip,ALPS,ROHM,Xilinx,Pulse,ON,Everlight and Freescale. Main products comprise IC,Modules,Potentiometer,IC Socket,Relay,Connector.Our parts cover such applications as commercial,industrial, and automotives areas.

We are looking forward to setting up business relationship with you and hope to provide you with the best service and solution. Let us make a better world for our industry!



Contact us

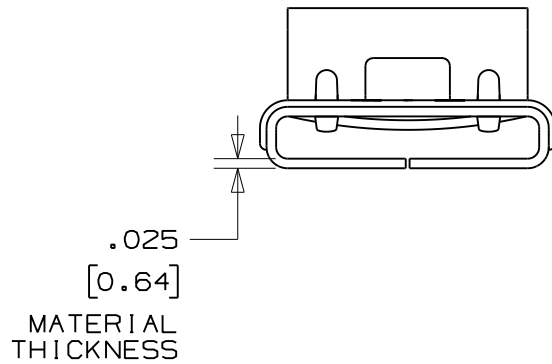
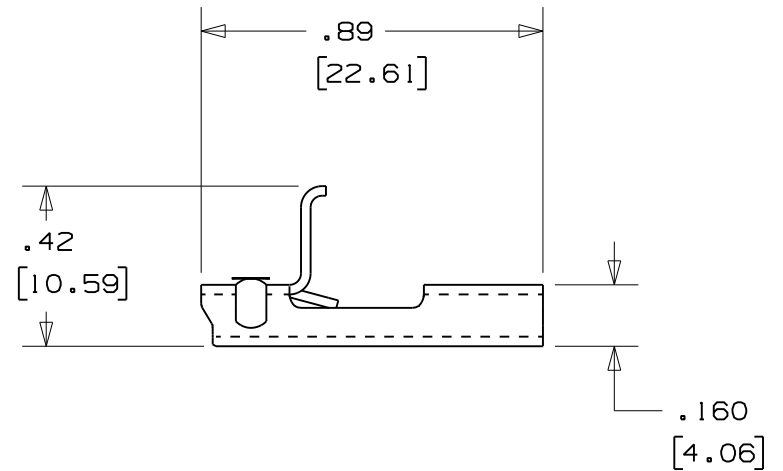
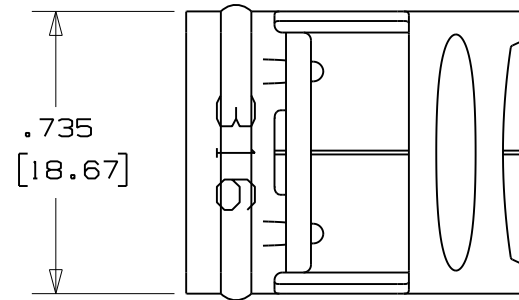
Tel: +86-755-8981 8866 Fax: +86-755-8427 6832

Email & Skype: info@chipsmall.com Web: www.chipsmall.com

Address: A1208, Overseas Decoration Building, #122 Zhenhua RD., Futian, Shenzhen, China



- NOTES: 1. FOR USE WITH PANDUIT MS63T15-CR4 & MS63T15-CR6 CONTINUOUS STRAPPING. ^(A)
2. APPLICATION TOOL: BT2MS75, BT2HT
3. DIMENSIONS IN BRACKETS [] ARE IN MILLIMETERS
4. UNLESS OTHERWISE SPECIFIED TOLERANCES ARE:
 .XX = ±.02 [.5]
 .XXX = ±.010 [.25]
5. MATERIAL: 304 OR 316 STAINLESS STEEL



N41149BS_DC/02A

02A	10/08	JAMB	SKB	ORIG CAD FILE SPEC WAS S41149_02 NOTE 2: APPLICATION TOOL BT1HT REPLACED BY BT2HT				 TINLEY PARK, ILLINOIS
02	10/04	JAMB	EJD	STRAPPING PART NO'S. IN TITLE BLOCK CHANGED TO BUCKLE PART NO'S. DUE TO A TYPING ERROR.	12067			
01	9/04	JAMB	EJD	VOIDED PART NO'S. MS625X15-TSR & MS625X15-TSR316 & REPLACED BY PART NO'S. MS63T15-CR4 & MS63T15-CR6 ON NOTE 1.	12052	CCH	JJB	
00	9/03	BRH	EJD	RELEASED	11154	CCH	JJB	
REV	DATE	BY	CHK	DESCRIPTION	ECN #	PM	CUST	DRAWN BY BRH
								CHK'D EJD
								SCALE 2X
								DRAWING NO. N41149BS_DC

PANDUIT CORP. TINLEY PARK, ILLINOIS

.625 in [15.88] ENHANCED METAL STRAPPING BUCKLE
 MSBW63-C4 & MSBW63-C6
 CUSTOMER DRAWING ^(B)