



Chipsmall Limited consists of a professional team with an average of over 10 year of expertise in the distribution of electronic components. Based in Hongkong, we have already established firm and mutual-benefit business relationships with customers from,Europe,America and south Asia,supplying obsolete and hard-to-find components to meet their specific needs.

With the principle of “Quality Parts,Customers Priority,Honest Operation,and Considerate Service”,our business mainly focus on the distribution of electronic components. Line cards we deal with include Microchip,ALPS,ROHM,Xilinx,Pulse,ON,Everlight and Freescale. Main products comprise IC,Modules,Potentiometer,IC Socket,Relay,Connector.Our parts cover such applications as commercial,industrial, and automotives areas.

We are looking forward to setting up business relationship with you and hope to provide you with the best service and solution. Let us make a better world for our industry!



## Contact us

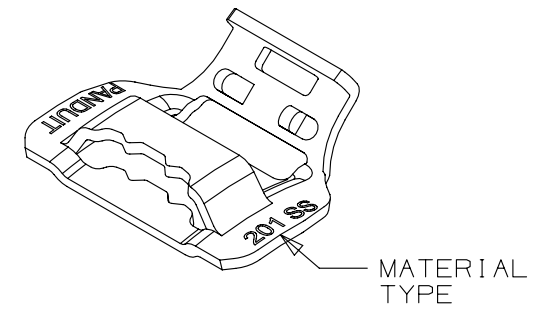
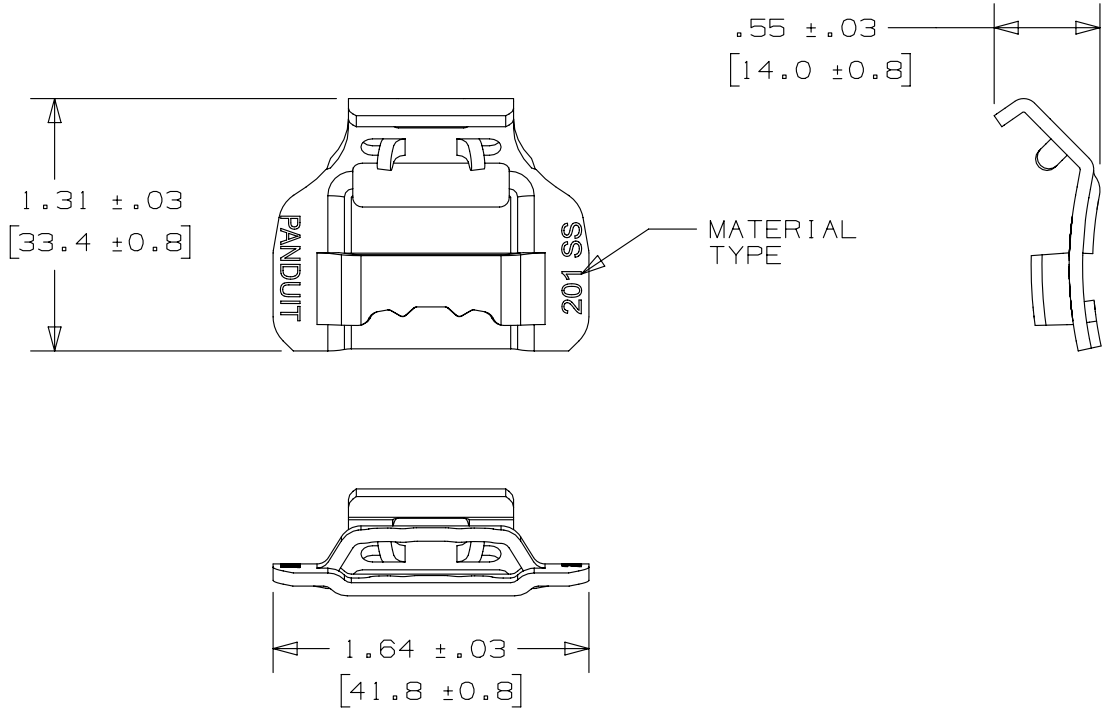
Tel: +86-755-8981 8866 Fax: +86-755-8427 6832

Email & Skype: info@chipsmall.com Web: www.chipsmall.com

Address: A1208, Overseas Decoration Building, #122 Zhenhua RD., Futian, Shenzhen, China



THIS COPY IS PROVIDED ON A RESTRICTED BASIS AND IS NOT TO BE USED IN ANY WAY DETRIMENTAL TO THE INTERESTS OF PANDUIT CORP.



ISOMETRIC VIEW  
SHOWN FOR  
REFERENCE ONLY

- NOTES:  
 1. APPLICATION TOOLS: BT75SDT  
 2. BRACKETS [ ] DENOTES DIMENSIONS ARE IN MILLIMETERS AND ARE FOR REFERENCE ONLY  
 3. MATERIAL: STAINLESS STEEL  
 4. MATERIAL THICKNESS: .070 ± .005

PANDUIT PART NUMBER	PACKAGE QUANTITY	MATERIAL TYPE	FOR USE WITH PANDUIT CONTINUOUS BANDING
MSBW75-C2	100	201 SS	MSW75T30-CR2
MSBW75-C6	100	316 SS	MSW75T30-CR6

REV	DATE	BY	CHK	APR	DESCRIPTION	ECN
03A	4/13	JAMB	SKB	---	UPDATE DRAWING TO NEW GLOBAL PANDUIT TITLE BLOCK WITH PANDUIT LOGO. ADDED TO NOTE #2: "AND ARE FOR REFERENCE ONLY"	SSECN01057
02A	6/10	JAMB	SKB	---	ADDED PART NUMBER MSBW75-C6 TO TABLE. ADDED "MATERIAL TYPE" TO TABLE. ADDED "FOR USE WITH...ETC" TO TABLE.	-----
01A	5/09	MIM	CCH	---	DRAWING RELEASED	-----

<p>TITLE <b>MS75 METAL STRAPPING LOOSE PIECE BUCKLES</b> CUSTOMER DRAWING</p>			
<p>ITEM REVISION NAME <b>N41285BS/03</b></p>			
<p>DATASET FILE NAME <b>N41285BS_DC/03A</b></p>			
<p>UNLESS OTHERWISE SPECIFIED, DIMENSIONAL TOLERANCES ARE: IN [ mm ]</p> <p>.x ± .1 [ .254 ]      .xxx ± .005 [ .127 ]              .xx ± .01 [ .25 ]      ANGLES ± 5 °</p>		<p>MATERIAL: <b>SEE NOTES</b></p>	
		<p>THIRD ANGLE PROJECTION</p>	
<p>DRAWN BY <b>MIM</b></p>	<p>DATE <b>5/09</b></p>	<p>CHK <b>SKB</b></p>	<p>SCALE <b>NONE</b></p>
<p>SHT 1 OF 1</p>		<p>SIZE <b>A</b></p>	

2

1

2

1