



Chipsmall Limited consists of a professional team with an average of over 10 year of expertise in the distribution of electronic components. Based in Hongkong, we have already established firm and mutual-benefit business relationships with customers from,Europe,America and south Asia,supplying obsolete and hard-to-find components to meet their specific needs.

With the principle of “Quality Parts,Customers Priority,Honest Operation,and Considerate Service”,our business mainly focus on the distribution of electronic components. Line cards we deal with include Microchip,ALPS,ROHM,Xilinx,Pulse,ON,Everlight and Freescale. Main products comprise IC,Modules,Potentiometer,IC Socket,Relay,Connector.Our parts cover such applications as commercial,industrial, and automotives areas.

We are looking forward to setting up business relationship with you and hope to provide you with the best service and solution. Let us make a better world for our industry!



## Contact us

Tel: +86-755-8981 8866 Fax: +86-755-8427 6832

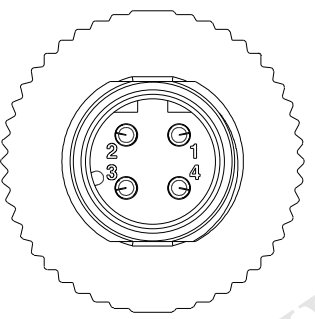
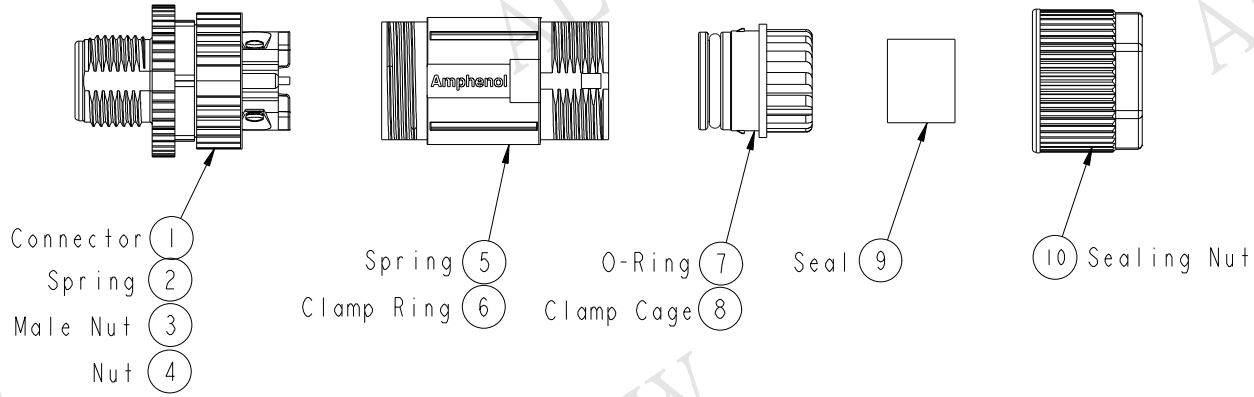
Email & Skype: info@chipsmall.com Web: www.chipsmall.com

Address: A1208, Overseas Decoration Building, #122 Zhenhua RD., Futian, Shenzhen, China

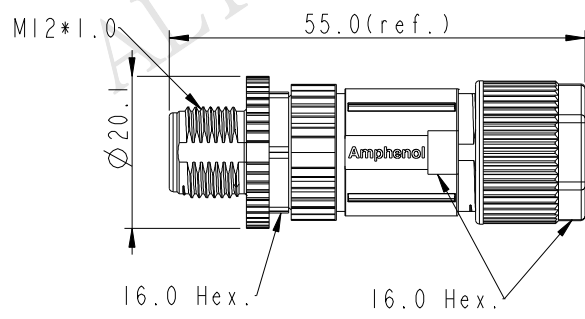


REV.	ECN NO.	DATE	SIGN	DESCRIPTION
A	Initial Release	2015/10/13	Mila	Change Rev.01 To Rev.A

ALTW  
CONFIDENTIAL  
2015-10-13  
R&D DEPT.



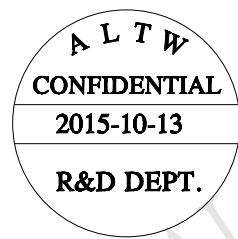
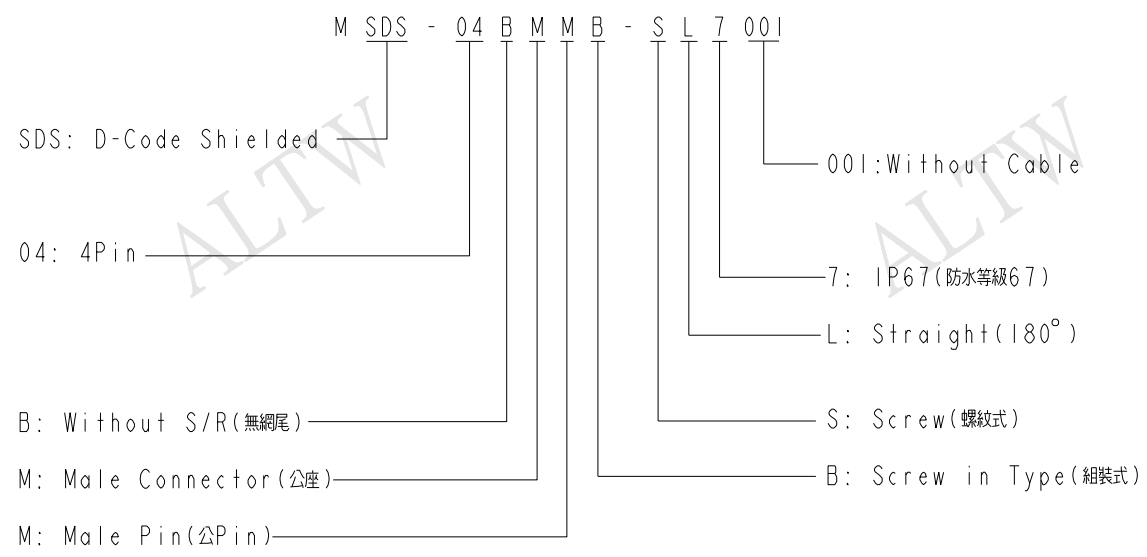
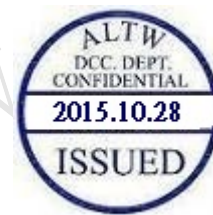
Pin Assignments  
Front View



ALTW  
DCC. DEPT.  
CONFIDENTIAL  
2015.10.28  
ISSUED

UNIT:mm TOLERANCE ±0.5mm	TITLE M12 D-Code Shielded Assy 4PIN M Conn.M Pin		<b>Amphenol LTW</b> 安費諾亮泰企業股份有限公司		ITEM NO MSDS-04BMMB-SL7001	DRAWN BY Mila	DATE 2015-10-13
	SCALE 1:1	SIZE A4			SHEET 1 OF 2	DWG NO MSDS-04BMMB-SL7001	CHECKED BY Cary
	REV. A	WC-REV. A.3	QC: Inspection item	CUSTOMER ALTW	APPROVED BY Jerry	DATE 2015-10-13	8 FMM10702-01-02A1

THIS DOCUMENT IS SUBJECT TO CHANGE WITHOUT NOTICE. IT IS CONFIDENTIAL AND A PROPERTY OF Amphenol LTW. DISCLOSURE TO THIRD PARTY HAS TO BE AUTHORIZED BY Amphenol LTW.



- Note:
- \*  $\text{CC}$  Important Dimension To Check.
  - \* Waterproof Rate: IP67
  - \* Housing: Nylon, Black
  - \* Clamp Cage: Nylon, Black
  - \* Male Pin: Copper Alloy, Gold Plated
  - \* Male Nut: Zinc Alloy, Nickel Plated
  - \* Nut: Zinc Alloy, Nickel Plated
  - \* O-Ring: Silicon, Gray
  - \* Clamp Ring: Zinc Alloy, Nickel Plated
  - \* Sealing Nut: Zinc Alloy, Nickel Plated
  - \* Seal: Silicon, Gray
  - \* Seal For Cable OD:  $\varnothing 4.0\text{mm} \sim \varnothing 7.5\text{mm}$
  - \* Screws for Wire connection recommended tightening torque: 0.61~0.84 kgf.cm / 0.059~0.082 N.m
  - \* Applicable Wire gauge (Stranded wire cross section) 0.14mm<sup>2</sup> (26AWG) ~ 0.82mm<sup>2</sup> (18AWG)
  - \* Mating Recommended tightening torque: 3~4 kgf.cm / 0.29~0.39 N.m
  - \* Sealing-Nut Recommended tightening torque: 4~6 kgf.cm / 0.39~0.59 N.m
  - \* Detailed applicable wire specifications may vary depending on the actual wire construction.

UNIT:mm TOLERANCE $\pm 0.5\text{mm}$	TITLE M12 D-Code Shielded Assy 4PIN M Conn.M Pin		<h2 style="text-align: center;">Amphenol LTW</h2> <p style="text-align: center;">安費諾亮泰企業股份有限公司</p>		ITEM NO MSDS-04BMMB-SL7001	DRAWN BY Mila	DATE 2015-10-13		
	SCALE 1:1	SIZE A4			SHEET 2	OF 2	DWG NO MSDS-04BMMB-SL7001	CHECKED BY Cary	DATE 2015-10-13
	REV. A	WC-REV. A.3			$\text{CC}$ : Inspection item		CUSTOMER ALTW	APPROVED BY Jerry	DATE 2015-10-13