



Chipsmall Limited consists of a professional team with an average of over 10 year of expertise in the distribution of electronic components. Based in Hongkong, we have already established firm and mutual-benefit business relationships with customers from,Europe,America and south Asia,supplying obsolete and hard-to-find components to meet their specific needs.

With the principle of “Quality Parts,Customers Priority,Honest Operation,and Considerate Service”,our business mainly focus on the distribution of electronic components. Line cards we deal with include Microchip,ALPS,ROHM,Xilinx,Pulse,ON,Everlight and Freescale. Main products comprise IC,Modules,Potentiometer,IC Socket,Relay,Connector.Our parts cover such applications as commercial,industrial, and automotives areas.

We are looking forward to setting up business relationship with you and hope to provide you with the best service and solution. Let us make a better world for our industry!



Contact us

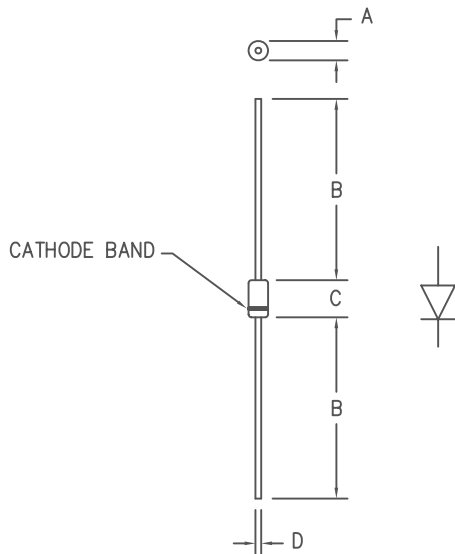
Tel: +86-755-8981 8866 Fax: +86-755-8427 6832

Email & Skype: info@chipsmall.com Web: www.chipsmall.com

Address: A1208, Overseas Decoration Building, #122 Zhenhua RD., Futian, Shenzhen, China



1 Amp Schottky Rectifier MSG108 — MSG109



Dim.	Inches		Millimeter		Notes
	Minimum	Maximum	Minimum	Maximum	
A	.081	.107	2.057	2.718	Dia.
B	1.10	---	27.94	---	
C	.160	.205	4.064	5.207	
D	.028	.034	.711	.864	Dia.

GLASS HERMETIC D041

Microsemi Catalog Number	Working Peak Reverse Voltage	Repetitive Peak Reverse Voltage
MSG108	80V	80V
MSG109	90V	90V

- Schottky Barrier Rectifier
- Guard Ring Protection
- 175°C Junction Temperature
- V_{RRM} 80 to 90 Volts
- Hermetic Package

Electrical Characteristics		
Average forward current	I _{F(AV)} 1.0 Amps	T _L = 125°C Square wave
Maximum surge current	I _{FSM} 50 Amps	8.3ms, half sine, T _J = 175°C
Max peak forward voltage	V _{FM} .81 Volts	I _{FM} = 1.0A; T _J = 25°C*
Max peak reverse current	I _{RM} 100 μA	V _{RRM} , T _J = 25°C
Typical junction capacitance	C _J 45pF	V _R = 5.0V, T _J = 25°C
*Pulse test: Pulse width 300 μsec, Duty cycle 2%		

Thermal and Mechanical Characteristics		
Storage temperature range	T _{STG}	-65°C to 175°C
Operating junction temp range	T _J	-65°C to 175°C°
Maximum thermal resistance	L = 1/4" R _{θJL}	30°C/W Junction to Lead
Weight		.012 ounces (0.38 grams) typical



8700 East Thomas Road, P.O. Box 1390
 Scottsdale, AZ 85252
 PH: (480) 941-6300
 FAX: (480) 947-1503
 www.microsemi.com

05-25-07 Rev. 4

MSG108 — MSG109

Figure 1
Typical Forward Characteristics

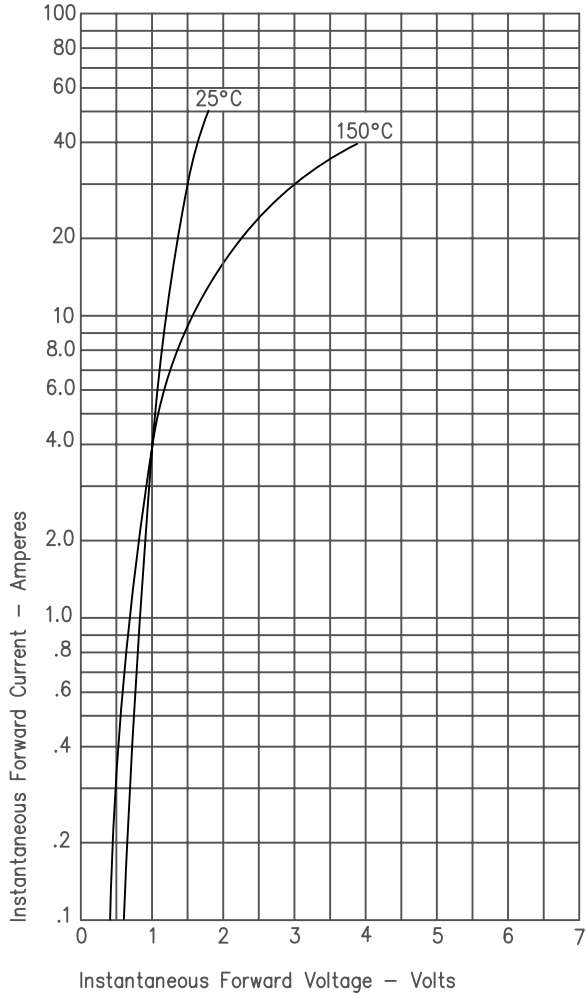


Figure 3
Typical Junction Capacitance

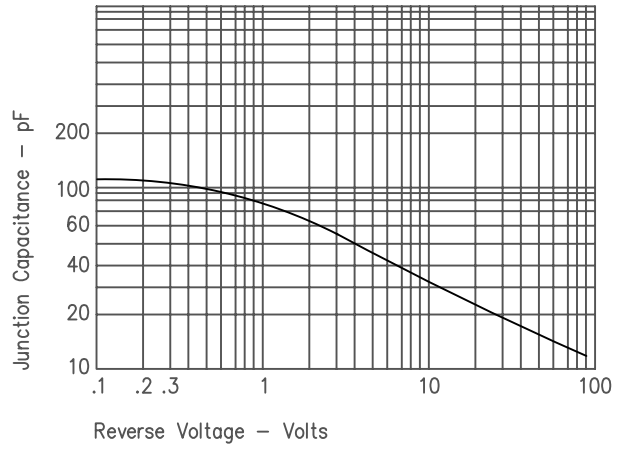


Figure 2
Typical Reverse Characteristics

