



Chipsmall Limited consists of a professional team with an average of over 10 year of expertise in the distribution of electronic components. Based in Hongkong, we have already established firm and mutual-benefit business relationships with customers from,Europe,America and south Asia,supplying obsolete and hard-to-find components to meet their specific needs.

With the principle of “Quality Parts,Customers Priority,Honest Operation,and Considerate Service”,our business mainly focus on the distribution of electronic components. Line cards we deal with include Microchip,ALPS,ROHM,Xilinx,Pulse,ON,Everlight and Freescale. Main products comprise IC,Modules,Potentiometer,IC Socket,Relay,Connector.Our parts cover such applications as commercial,industrial, and automotives areas.

We are looking forward to setting up business relationship with you and hope to provide you with the best service and solution. Let us make a better world for our industry!



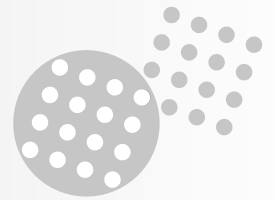
## Contact us

Tel: +86-755-8981 8866 Fax: +86-755-8427 6832

Email & Skype: info@chipsmall.com Web: www.chipsmall.com

Address: A1208, Overseas Decoration Building, #122 Zhenhua RD., Futian, Shenzhen, China



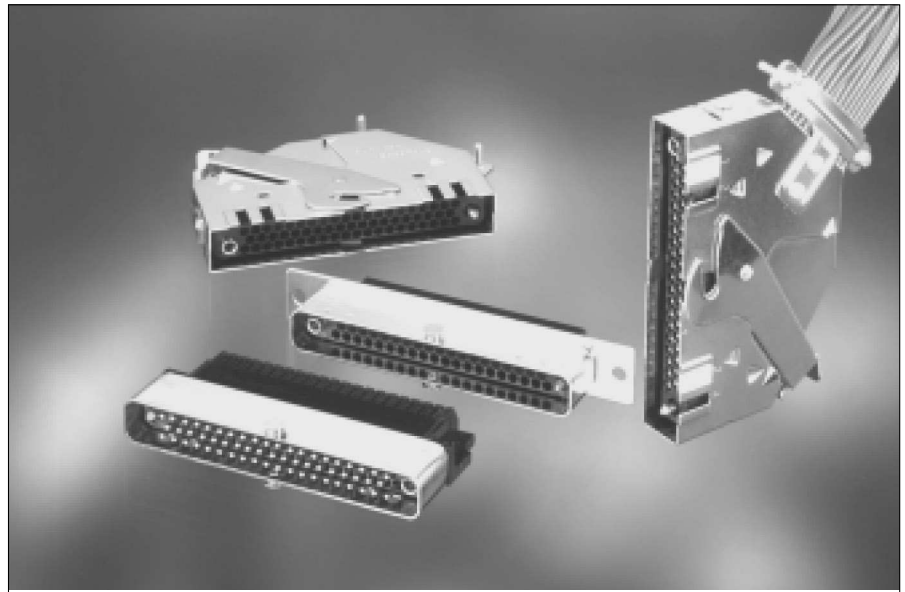


## High performance Low profile rectangular MSG connectors

### Description

MSG Series connectors is a 50 and 59 position low profile, compact design rectangular I/O connector.

MSG has been developed for industrial and railway control equipments which require a easy handling and high density connector. In addition to its panel mount version, a PCB mount version has been especially designed to fit 19 inch Euro-rack system.



### Features and benefits

- Connectors supplied pre-assembled.
- Available in 50 and 59 contact versions.
- PCB mount version fully equipped with male contacts. Selective contact loading optional.
- Accessories : polarizing screws (receptacle)  
polarizing plate (plug)  
dust cap (plug)

### Performance characteristics

Operating temperature:	-55°C to +125°C
Insulation resistance:	5000 MΩ min.
Test potential:	2000 VAC
Current rating:	7.5A - cable to PCB 13A - cable to cable
Creepage distance:	2.5mm (50 positions) 2.2mm (59 positions)
Durability:	500 matings and unmatings.
Vibration	Per JIS-C STD 0040
Salt Spray:	Per JIS-C STD 0023

### Construction

Connector Material :	Glass filled thermoplast
Flammability rating :	UL94-V0
Hoods, skirts :	Steel, nickel plated
Cable clamps:	Steel, nickel plated
Guiding hardware:	Stainless steel
Contacts receptacle :	Copper alloy (Au over Ni)

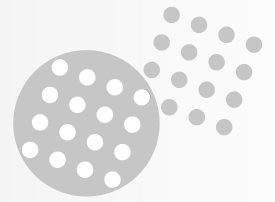
### Contact accommodation

- "MSG" Rectangular connectors accept TRIM TRIO size 16 crimp-type removable contacts (see contact section)
- For the plug connector and the panel mount receptacle, contacts have to be ordered separately.

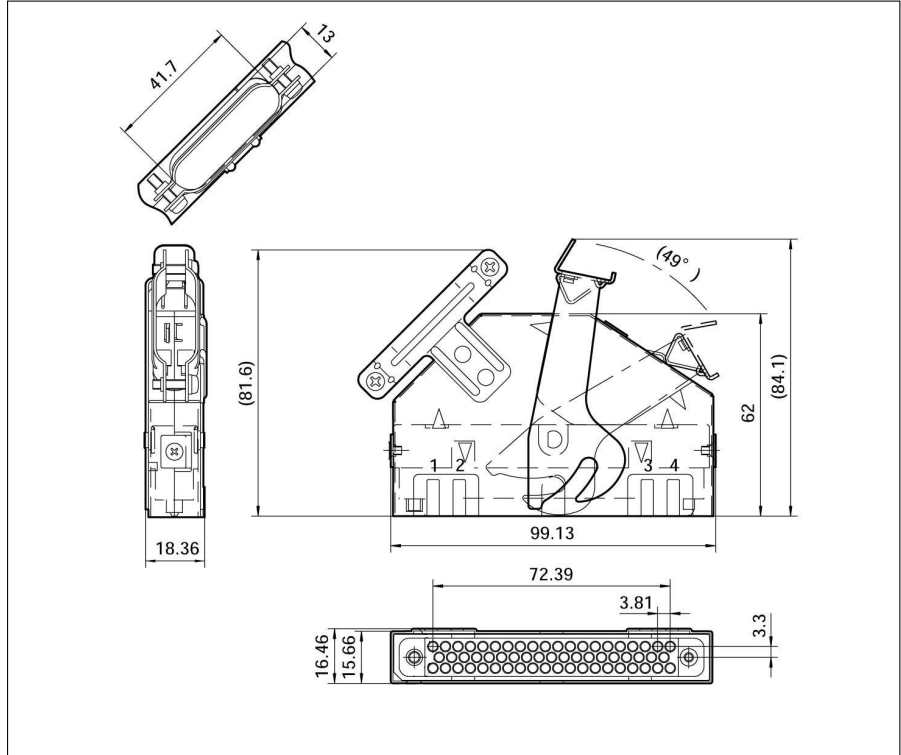
## How to order

Number of contacts	Part number	Description
59	<b>MSG59P-L11</b>	Plug for cable up
	<b>MSG59P-L21</b>	Plug for cable down
	<b>MSG59R-PL110</b>	Panel mount receptacle
	<b>MSG59R-RL111</b>	Right angle PCB mount receptacle without flange
	<b>MSG59R-FL111</b>	Right angle PCB mount receptacle with flange
50	<b>MSG50P-L11</b>	Cable plug
	<b>MSG50RG-L111</b>	Right angle PCB mount receptacle with flange

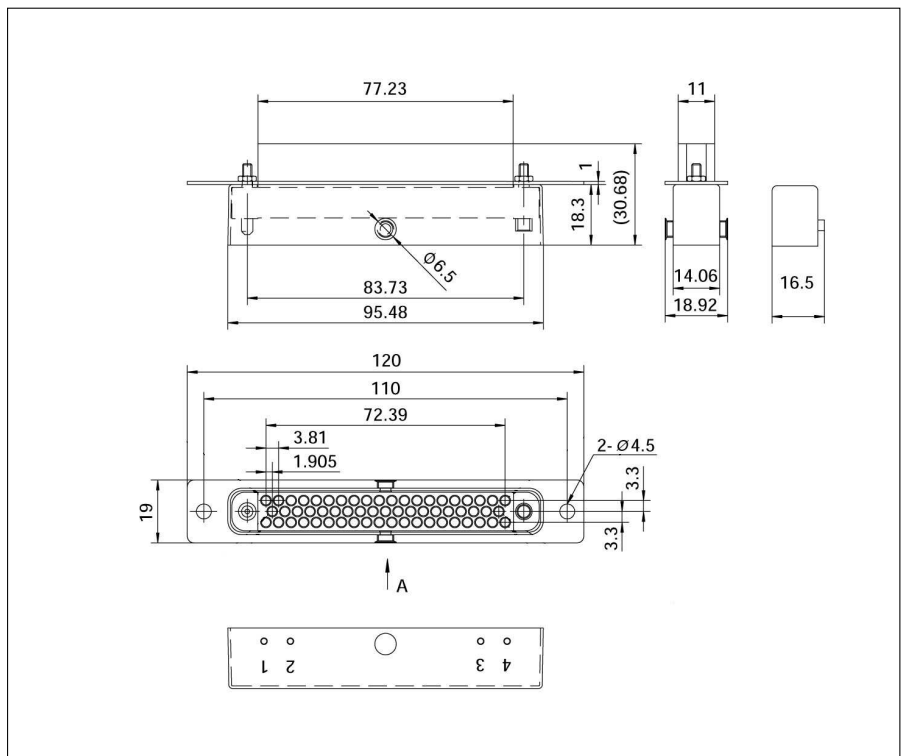
# MSG



## Plug connector with metal hood (MSG59P-L11)

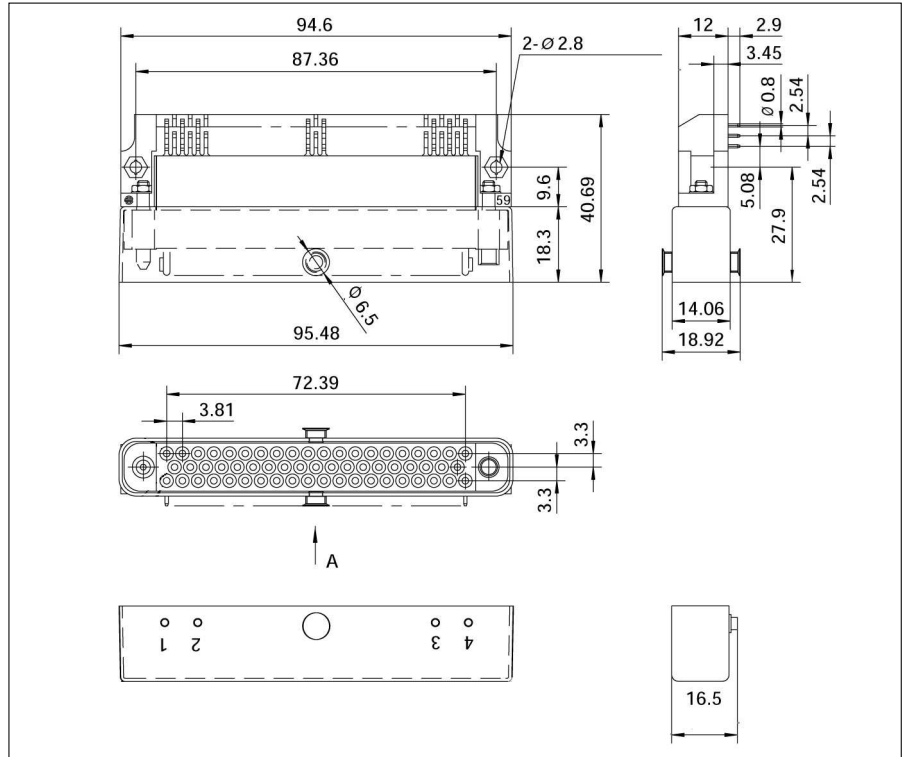


## Panel mount receptacle (MSG59RP-L110)

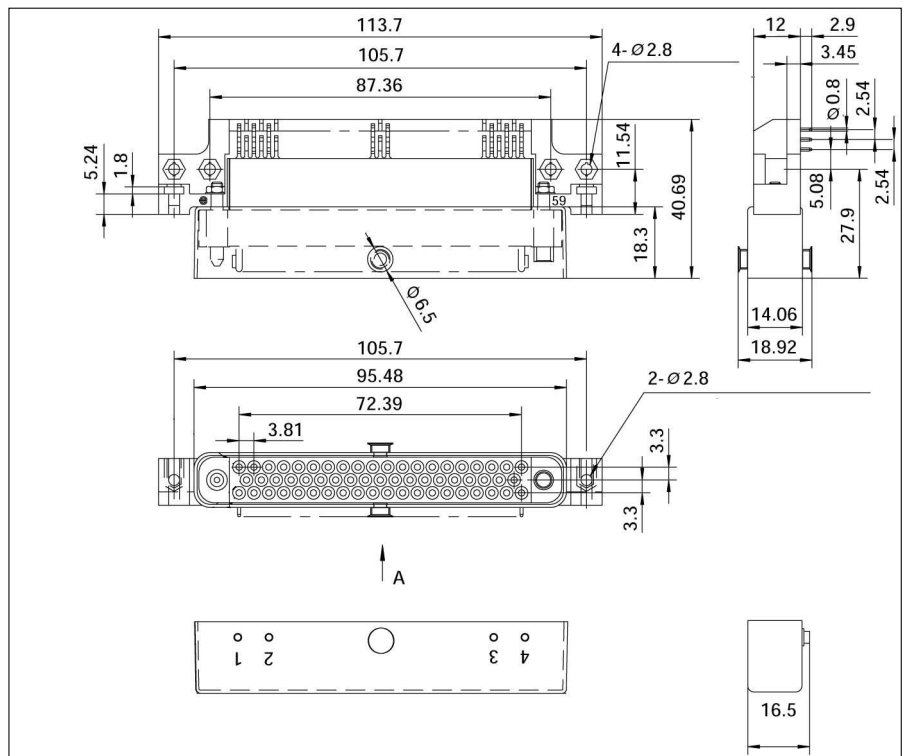




## Right angle PCB mount receptacle without flange (MSG59RR-L111)



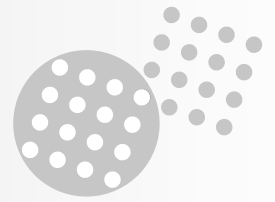
## Right angle PCB mount receptacle with flange (MSG59RF-L111)



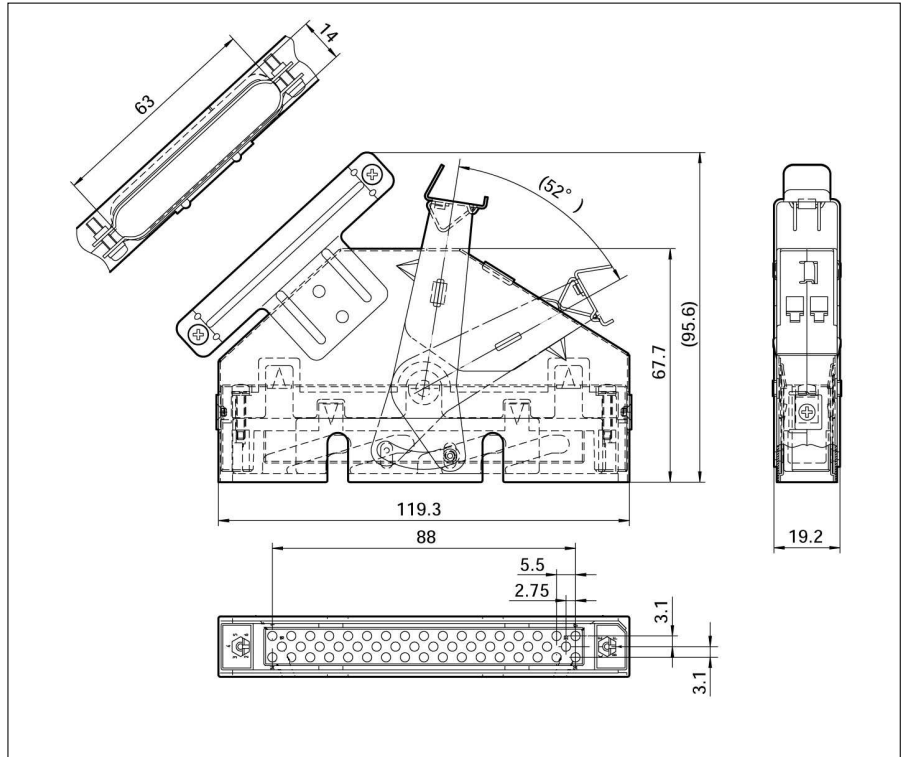




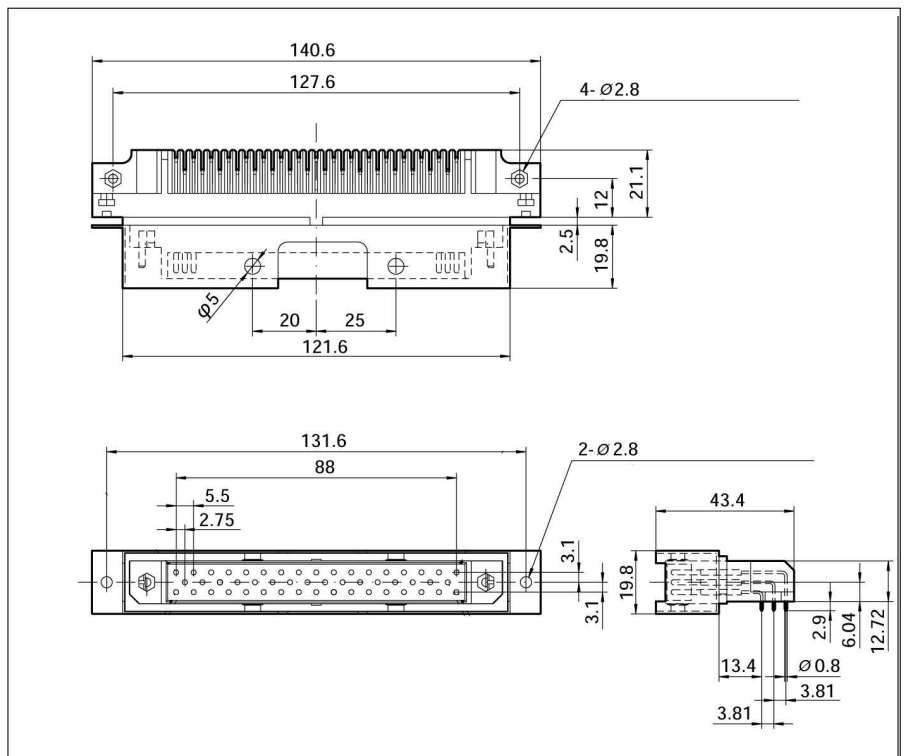
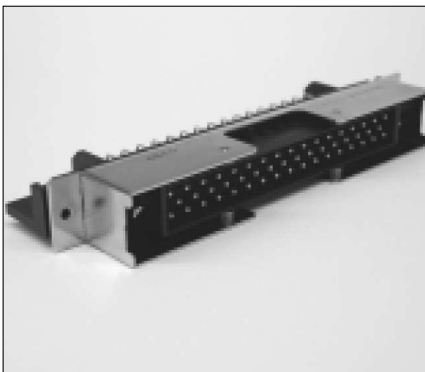
# MSG

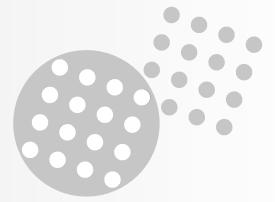


**(MSG50P-L11)**

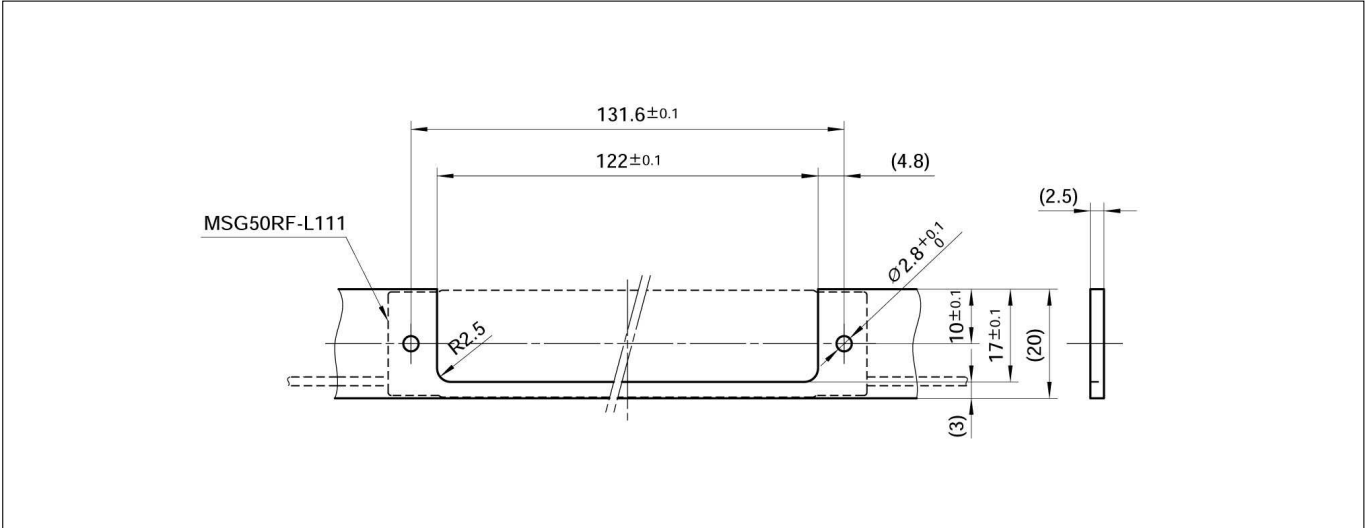


**(MSG50RF-L111)**

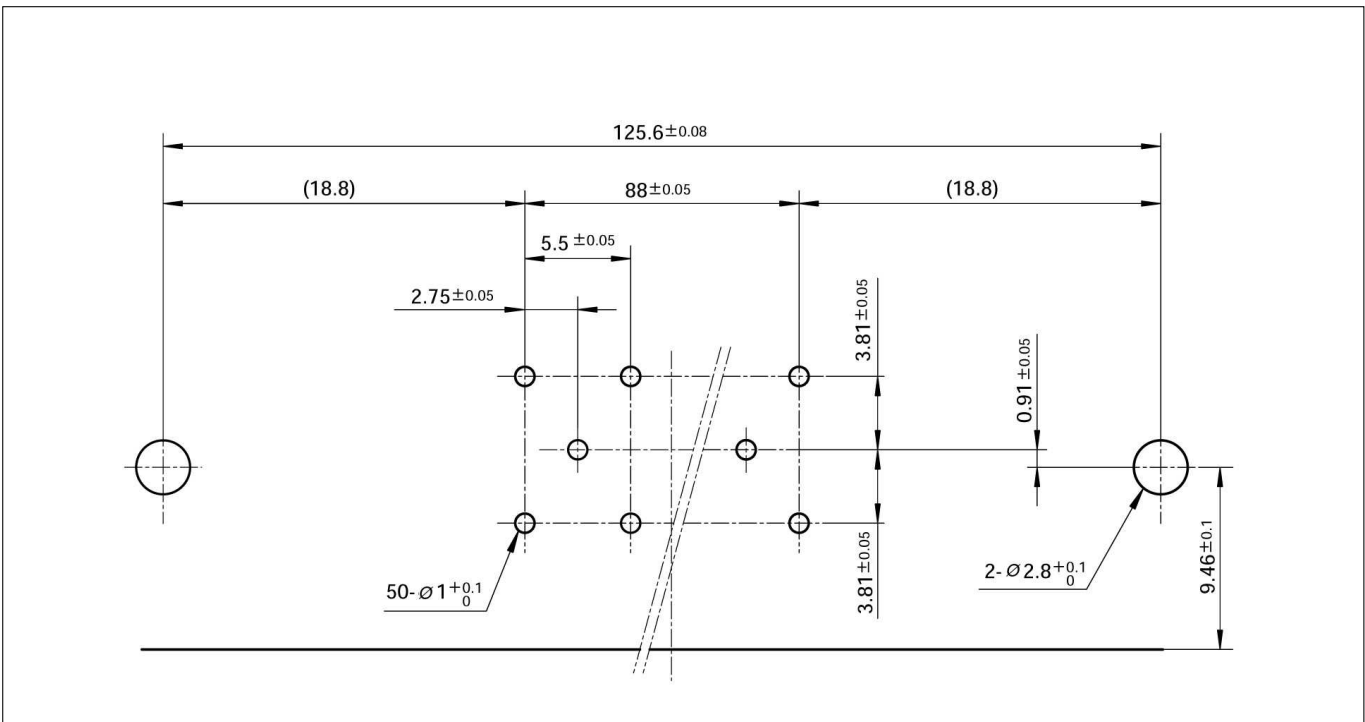




**(MSG50RF-L111)**



**(MSG50RF-L111)**





## Robust lever locking connector

### Description

- 52 contact, rectangular, one action lever locking connector
- Same receptacle can be front or rear mounted
- 2 cable clamp orientations available: perpendicular or parallel to mating face
- Anti Jack knife system, guide plate on plug and wide entry docket contact for a smooth and reliable mating
- Adapted to shielded cable
- Easy assembly

### Application

- Signalling

### Mechanical

- Hood: Steel, Nickel plated
- Lever: stainless steel
- Grip and insulator: glass filled PBT
- Contact body: copper
- Contact plating: consult us
- Endurance: 500 mating/unmating operations
- Vibration: per JIS C 0040



### Electrical

- Withstanding voltage 2000 Veff
- Insulating resistance: 5000M
- Current rating: 13A
- Contact accommodation: standard TRIM TRIO size 16 contacts

### Environmental

- Temperature range: -55°C + 125°C
- Flammability rating: UL94V0

## How to order

### Receptacle

Basic series		<b>MB</b>	<b>52</b>	<b>R</b>	<b>-L</b>	<b>1</b>	<b>1</b>	<b>0</b>
Number of contacts	52							
Receptacle:								
Lever type:								
Contact type:	1: TRIM TRIO contact							
Cable clamp:	1: Lever down; 2: Lever up							
Variation:	0: contacts to be ordered separately							

### Plug

Basic series		<b>MB</b>	<b>52</b>	<b>P</b>	<b>-L</b>	<b>1</b>	<b>1</b>	<b>0</b>
Number of contacts	52							
Plug								
Lever								
Cable clamp:	1: Lever down; 2: Lever up							
Cable direction	1: Parallel; 2: Perpendicular to mating face							
Variation	0							

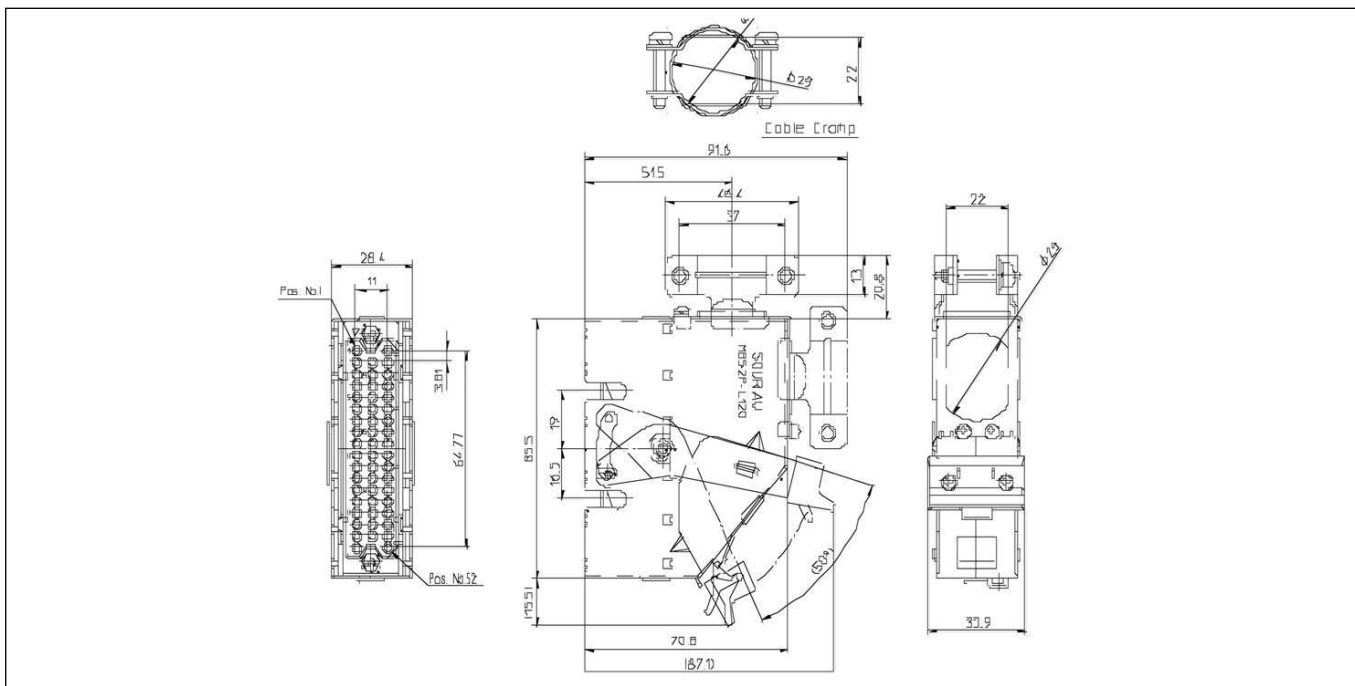


# MB



## Dimensions

### Plug MB52P-L120



### Receptacle MB52R-L110

