



Chipsmall Limited consists of a professional team with an average of over 10 year of expertise in the distribution of electronic components. Based in Hongkong, we have already established firm and mutual-benefit business relationships with customers from,Europe,America and south Asia,supplying obsolete and hard-to-find components to meet their specific needs.

With the principle of “Quality Parts,Customers Priority,Honest Operation,and Considerate Service”,our business mainly focus on the distribution of electronic components. Line cards we deal with include Microchip,ALPS,ROHM,Xilinx,Pulse,ON,Everlight and Freescale. Main products comprise IC,Modules,Potentiometer,IC Socket,Relay,Connector.Our parts cover such applications as commercial,industrial, and automotives areas.

We are looking forward to setting up business relationship with you and hope to provide you with the best service and solution. Let us make a better world for our industry!



Contact us

Tel: +86-755-8981 8866 Fax: +86-755-8427 6832

Email & Skype: info@chipsmall.com Web: www.chipsmall.com

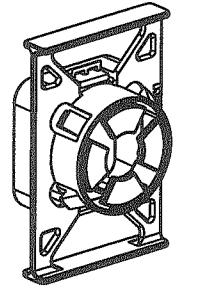
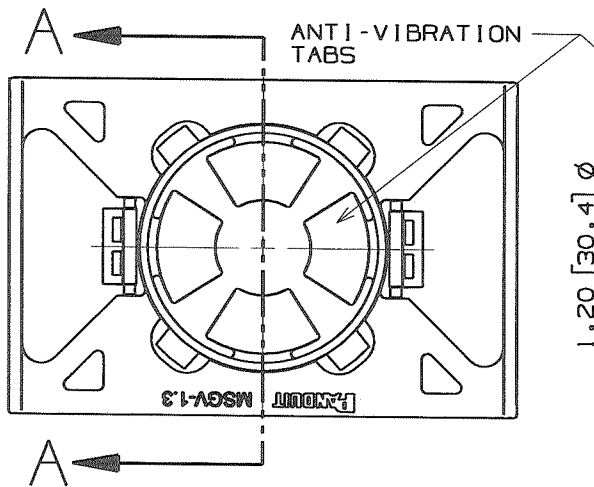
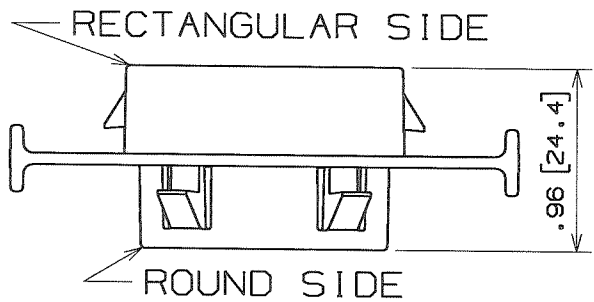
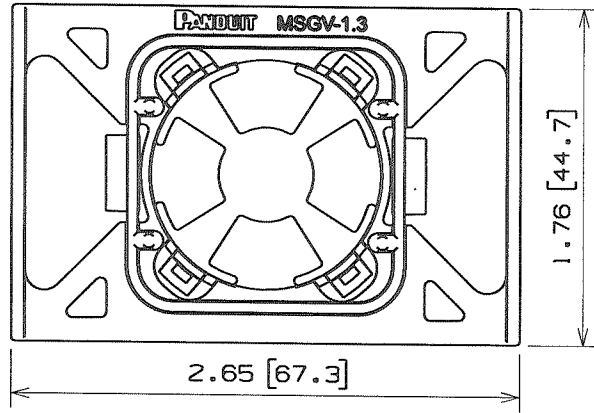
Address: A1208, Overseas Decoration Building, #122 Zhenhua RD., Futian, Shenzhen, China



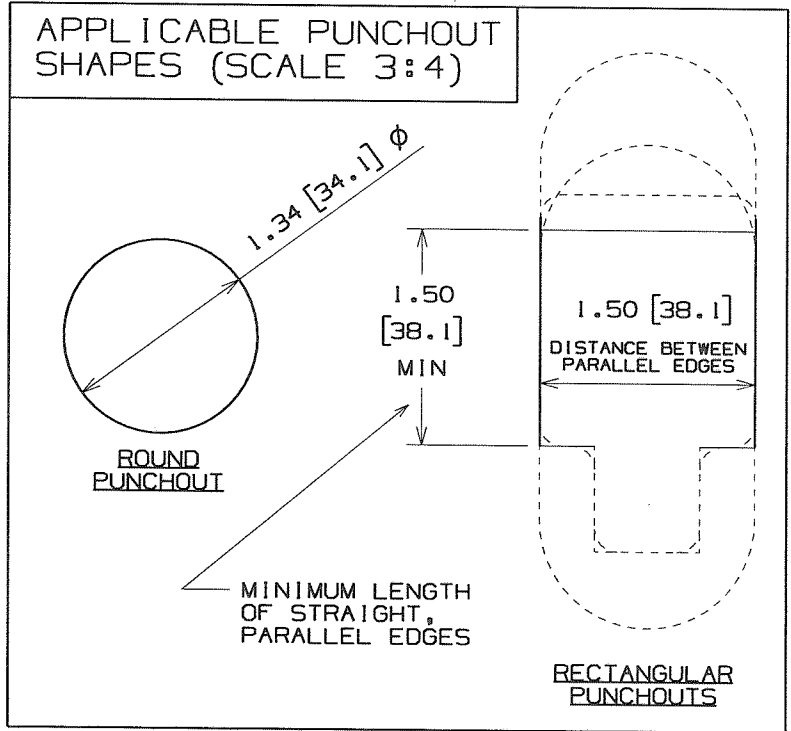
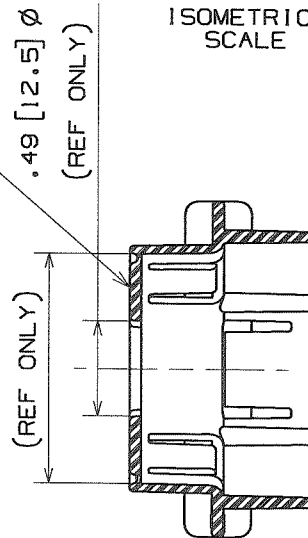
THIS COPY IS PROVIDED ON A RESTRICTED BASIS AND IS NOT TO BE USED IN ANY WAY DETRIMENTAL TO THE INTERESTS OF PANDUIT CORP.

NOTES:

1. SEE CURRENT PRICE SHEET FOR PART NUMBER SUFFIX DESIGNATION FOR PACKAGE SIZE.
2. PART CAN BE INSTALLED INTO "ROUND" OR "RECTANGULAR" PUNCHOUTS IN STEEL STUDS WITH MATERIAL THICKNESS UP TO 0.080".
3. PART SUITABLE FOR USE IN HOLES PUNCHED WITH PANDUIT PART #MSPT-1.3.
4. ANTI-VIBRATION TABS ARE INTENDED FOR USE WITH CONDUIT, OR PIPE, FROM 1/2" TO 1" OD.



ISOMETRIC VIEW
SCALE 1:2



DIMENSIONS IN BRACKETS ARE METRIC [mm]
 CAD FILENAME/LAYERS: G03677BF_DC_GB3677BF/05A

PANDUIT CORP. TINLEY PARK, ILLINOIS

MSGV-1.3
METAL STUD GROMMET w/ ANTI-VIBRATION

UNLESS OTHERWISE SPECIFIED, DIMENSIONAL TOLERANCES ARE:
 (.X) ±0.05 [1.3] (.XXX) ±0.010 [0.25]
 (.XX) ±0.02 [0.5] ANGLES ±5°

UNLESS OTHERWISE SPECIFIED, ALL DIMENSIONS ARE GIVEN IN INCHES, THIRD ANGLE PROJECTION.

DRAWN BY: ARHA
 DATE: 12-07-09
 MAT'L: POLYPROPYLENE (YELLOW)
 SCALE: 1:1
 DRAWING NO.: GB3677BF
 DWG SIZE: A

05A	12/07/09	ARHA	PKW	INITIAL RELEASE	GB3677BF	05A	KCN		
REV	DATE	BY	CHK	DESCRIPTION	ECN	R	CUST	SUP	