



Chipsmall Limited consists of a professional team with an average of over 10 year of expertise in the distribution of electronic components. Based in Hongkong, we have already established firm and mutual-benefit business relationships with customers from,Europe,America and south Asia,supplying obsolete and hard-to-find components to meet their specific needs.

With the principle of "Quality Parts,Customers Priority,Honest Operation,and Considerate Service",our business mainly focus on the distribution of electronic components. Line cards we deal with include Microchip,ALPS,ROHM,Xilinx,Pulse,ON,Everlight and Freescale. Main products comprise IC,Modules,Potentiometer,IC Socket,Relay,Connector.Our parts cover such applications as commercial,industrial, and automotives areas.

We are looking forward to setting up business relationship with you and hope to provide you with the best service and solution. Let us make a better world for our industry!



Contact us

Tel: +86-755-8981 8866 Fax: +86-755-8427 6832

Email & Skype: info@chipsmall.com Web: www.chipsmall.com

Address: A1208, Overseas Decoration Building, #122 Zhenhua RD., Futian, Shenzhen, China



2-String LED Driver with Built-In Color Temperature Compensation and Adaptive Headroom Control for High CRI LED Luminaires

Features

- Dual-string LED driver for 2-color or unequal VF LEDs
- PWM dimming with 180° phase shift of LED strings
- Programmable look-up table for color temperature compensation
- Main LED string driven by linear current controller
 - Drives external N-channel MOSFET
 - $\pm 3\%$ current accuracy, no ripple current
 - Adaptively controls headroom of both AC/DC and DC/DC, isolated or non-isolated topology
 - Wide PWM dimming range with 12-bit precision
 - 8-bit DAC for peak current control
- Color-adjust LED string uses floating buck controller
 - Drives external N-channel MOSFET
 - Temperature color compensation using programmable look-up table
 - Over 100:1 dimming range with 8-bit precision
 - 8-bit DAC allows changing current sense threshold
 - Open and short LED protection
- Over-temperature fault detection
- Operates stand-alone or with a microcontroller
- Open-drain fault indicator output
- -40°C To +105°C operating temperature range

Typical Applications

- General and Architectural Lamps
- High CRI LED Fixtures
- Down Lights and Recessed Lights
- PAR Lamps

1. Introduction

The MSL2021 LED driver for two-color systems includes a linear current controller for the main string, typically for white LEDs, and a second floating buck controller for a color-adjust LED string. Both the switching and linear controllers drive external MOSFETs to provide flexibility over a wide range of power levels (LED currents and voltages).

The MSL2021 adaptively manages the voltage powering the main LED string. A proprietary and patent pending efficiency optimizer (EO) algorithm controls the voltage output of both AC/DC and DC/DC, isolated or non-isolated topology, including ultra-low bandwidth single-stage PFC flyback controller.

The MSL2021 features peak current control and individual string PWM dimming, with the two strings driven at a 180° out of phase. The main LED string's current is ripple-free and has very high accuracy. The PWM dimming frequency for both LEDs strings is 400Hz to give a predictable and wide dimming range. A thermistor connection allows automatic compensation of luminous efficacy in a two-color LED fixture to maintain consistent color balance across temperature.

The MSL2021 operates from 9.5V to 15V input. The color-adjust string voltage regulation loop uses a constant off-time control algorithm to achieve stable control with good transient behavior. For flexibility of design, off-time is set with an external resistor. LED current in both the strings can be adjusted using internal 8-bit DACs.

The internal registers are I²C accessible. Integrated non-volatile EEPROM memory, also accessed through the I²C serial interface, allows configuration at final test in case that the factory default settings need to be modified.

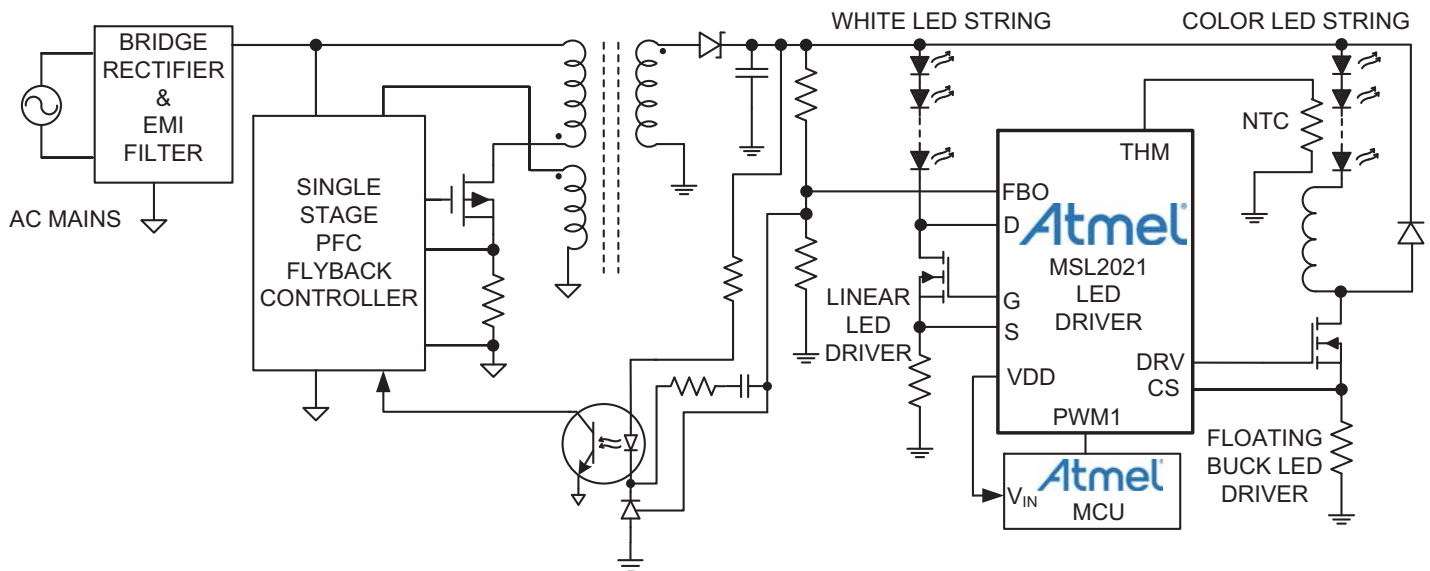
The MSL2021 is available in the space-saving 24-pin 4x4mm QFN package and operate over the extended -40°C to 105°C operating range.

2. Ordering Information

Ordering code	Description	Package ⁽¹⁾
MSL2021IN	Two String LED Driver	4 x 4mm 24-pin QFN

Note: 1. Lead-Free, Halogen-Free, RoHS Compliant Package

3. Application Circuit



4. Absolute Maximum Ratings

Voltage with respect to AGND		
	AVIN, PVIN, EN	-0.3V to +16.5V
	VCC, PWM, FLT, SDA, SCL, TOFF, REXT, FBO	-0.3V to +5.5V
	VDD	-0.3V to +2.75V
	THM	-0.3V to VCC+0.3V
	CS, S	-0.3V to VDD+0.3V
	D	-0.3V to +22V
	G, DRV	-0.3V to VIN+0.3V
	PGND, AGND	-0.3V to +0.3V

Current (into pin)		
	AVIN, PVIN, DRV, G (average)	100mA
	PVIN (peak, =1% duty)	1A
	DRV, G (peak, =1% duty)	±1A
	PGND (peak, =1% duty)	-1A
	AGND, PGND (average)	-100mA
	All other pins	±10mA

Continuous Power Dissipation at 70°C		
	24-Pin 4mm x 4mm VQFN (derate 21.8mW/°C above TA = +70°C)	1200mW

Ambient Operating Temperature Range	-40°C to +105°C
Junction Temperature	+125°C
Storage Temperature Range	-65°C to +125°C
Lead Soldering Temperature, 10s	+300°C

5. Electrical Characteristics

AVIN = PVIN = 12V, $-40^{\circ}\text{C} \leq T_A \leq 105^{\circ}\text{C}$, Typical Operating Circuit, unless otherwise noted.
Typical values at $T_A = +25^{\circ}\text{C}$.

Table 5-1. DC electrical characteristics

Parameter	Conditions	Min.	Typ.	Max.	Unit
AVIN, PVIN Operating Supply Voltage		9.5	12	15	V
AVIN Operating Supply Current	LEDs on at PWM = 100%, serial interface idle		10		mA
AVIN Idle Supply Current	EN = SLEEP = 1, all digital inputs = 0		7	10	mA
PVIN Idle Supply Current	EN = SLEEP = 1, all digital inputs = 0		0		μA
AVIN Disable Supply Current	$V_{EN} = 0$, all digital inputs = 0			5	μA
VCC Regulation Voltage	$I_{VCC} = 10\text{mA peak}^{(7)}$	4.5	5	5.5	V
VDD Regulation Voltage	$I_{VDD} = 10\text{mA peak}^{(7)}$	2.25	2.5	2.75	V
PWM, PWM1, PWM2, SCL, SDA Input High Voltage		$0.7 * V_{VDD}$			V
PWM, PWM1, PWM2, SCL, SDA Input Low Voltage				$0.3 * V_{VDD}$	V
EN Input High Voltage		2			V
EN Input Low Voltage				0.5	V
EN Input Hysteresis			100		mV
SDA, FLTB Output Low Voltage	Sinking 6mA			0.3	V
SCL, SDA, PWM, PWM1, PWM2, FLTB leakage current		-5		5	μA
S Current Sense Regulation Voltage	$T_A = 25^{\circ}\text{C}$, MREF = 0x64	194	200	206	mV
S Current Sense Regulation Voltage Accuracy	Main string at 100% duty cycle, $T_A = 25^{\circ}\text{C}$, MREF = 0x64	-3		+3	%
S Current Sense Regulation Voltage Temperature Coefficient			-220		ppm/ $^{\circ}\text{C}$
G Maximum Output Voltage		AVIN – 3.5	9.5	AVIN – 2.0	V
D Regulation Threshold	EOCTRL = 0xE5	0.9	1	1.1	V
CS Current Sense Regulation Voltage	CAREF = 0x64		200		mV
DRV Impedance	$V_{DRV} = 12\text{V}$, $I_{DRV} = 20\text{mA}$		5.6	9	Ω
	$V_{DRV} = 0\text{V}$, $I_{DRV} = -20\text{mA}$		5.6	9	Ω
FBO Full Scale Current		170	255	340	μA

Parameter	Conditions	Min.	Typ.	Max.	Unit
FBO LSB Current			1.0		μA
THM Source Current			100		μA
THM Voltage Range		0		1.5	V
Thermal Shutdown Temperature	Temperature rising		133		°C
Thermal Shutdown Hysteresis			15		°C

Table 5-2. AC electrical characteristics

Parameter	Conditions	Min.	Typ.	Max.	Unit
DRV t _{OFF} timing	R _{TOFF} = 45.3kΩ		0.5		μs
PWM Input Frequency	(8)	60		10,000	Hz
PWM Duty Cycle		1		100	%
PWM Duty Cycle Resolution	MSL2021		0.4		%

Table 5-3. I²C switching characteristics

Parameter	Symbol	Conditions	Min.	Typ.	Max.	Unit
SCL Clock Frequency		(1)	0.05		1,000	kHz
STOP to START Condition Bus Free Time	t _{BUF}		0.5			μs
Repeated START condition Hold Time	t _{HD:STA}		0.26			μs
Repeated START condition Setup Time	t _{SU:STA}		0.26			μs
STOP Condition Setup Time	t _{SU:STOP}		0.26			μs
SDA Data Hold Time	t _{HD:DAT}		5			ns
SDA Data Valid Acknowledge Time		(2)	0.05		0.55	μs
SDA Data Valid Time		(3)	0.05		0.55	μs
SDA Data Set-Up Time	t _{SU:DAT}		100			ns
SCL Clock Low Period	t _{LOW}		0.5			μs
SCL Clock High Period	t _{HIGH}		0.26			μs
SDA, SCL Fall Time	t _F	(4)(5)			120	ns
SDA, SCL Rise Time	t _R				120	ns
SDA, SCL Input Suppression Filter Period		(6)		50		ns
Bus Timeout	t _{TIMEOUT}	(1)		25		ms

- Notes:
1. Minimum SCL clock frequency is limited by the bus timeout feature, which resets the serial bus interface when either SDA or SCL is held low for t_{TIMEOUT}.
 2. SDA Data Valid Acknowledge Time is SCL LOW to SDA (out) LOW acknowledge time.
 3. SDA Data Valid Time is minimum SDA output data-valid time following SCL LOW transition.
 4. A master device must internally provide an SDA hold time of at least 300ns to ensure an SCL low state.

5. The maximum SDA and SCL rise times is 300ns. The maximum SDA fall time is 250ns. This allows series protection resistors to be connected between SDA and SCL inputs and the SDA/SCL bus lines without exceeding the maximum allowable rise time.
6. Includes input filters on SDA and SCL that suppress noise less than 50ns.
7. Additional decoupling may be required when pulling current from VCC and/or VDD in noisy environments.
8. 2 μ s minimum on time for main LED string PWM dimming.

Typical Operating Characteristics

Figure 5-1. Start-up behavior, PWM = 10% duty cycle (Test conditions).

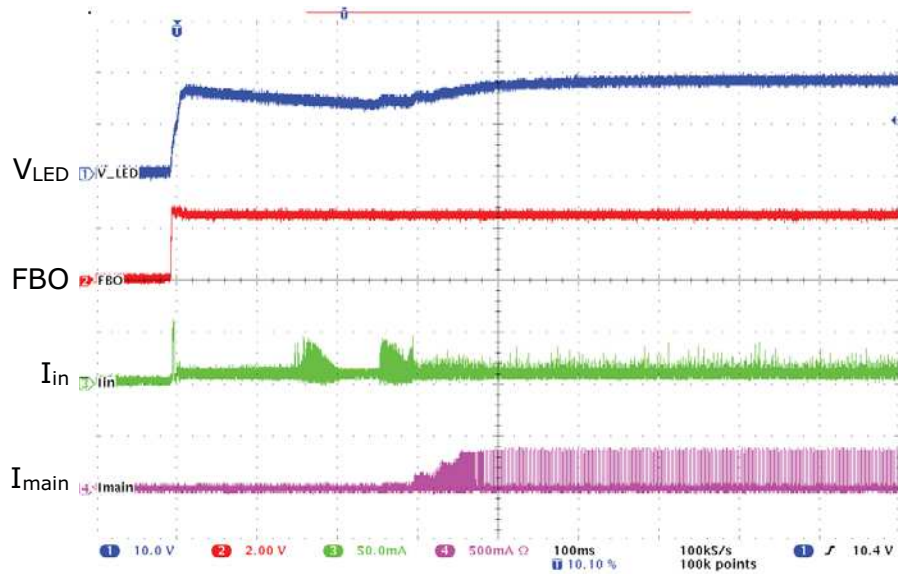


Figure 5-2. Start-up behavior, PWM = 90% duty cycle (Test conditions).

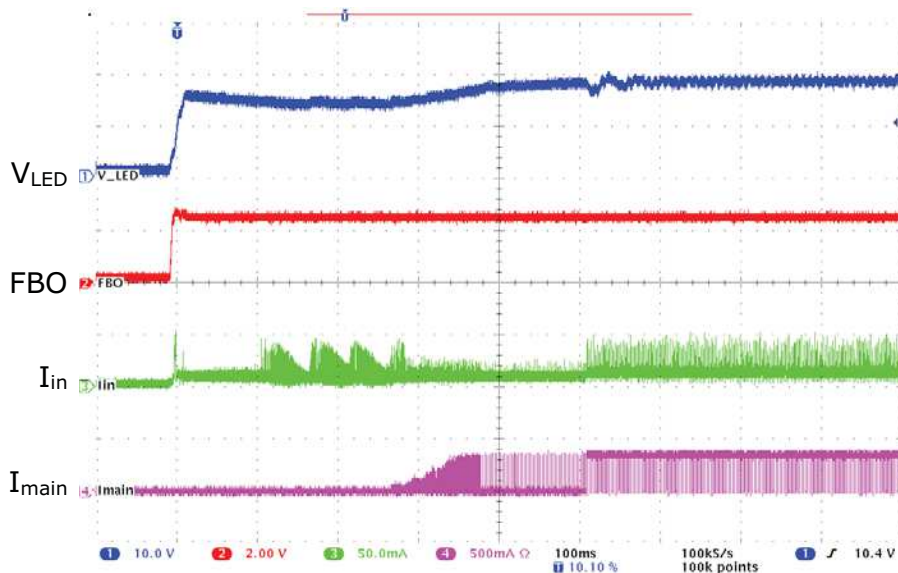


Figure 5-3. Normal operation, PWM = 10% duty cycle (Test conditions).

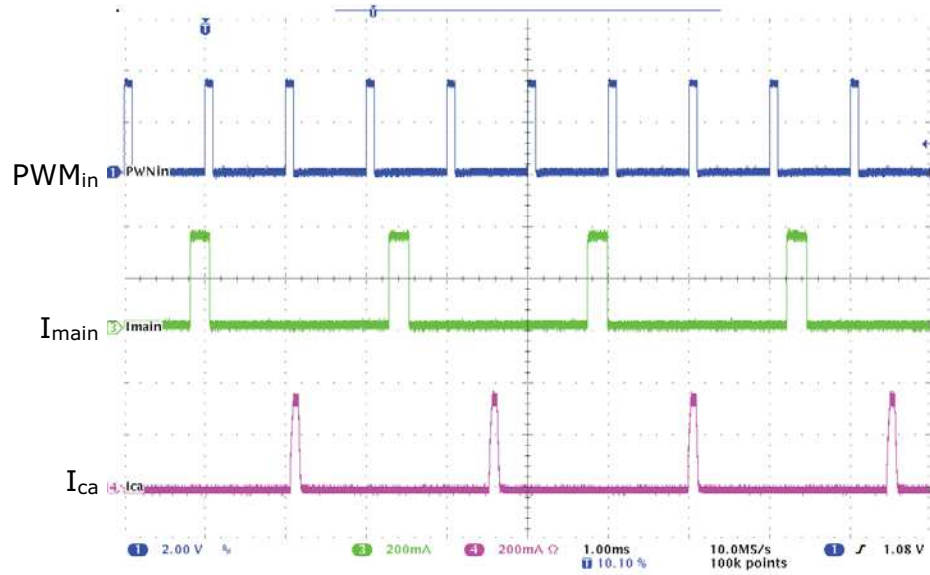


Figure 5-4. Normal operation, PWM = 90% duty cycle (Test conditions).

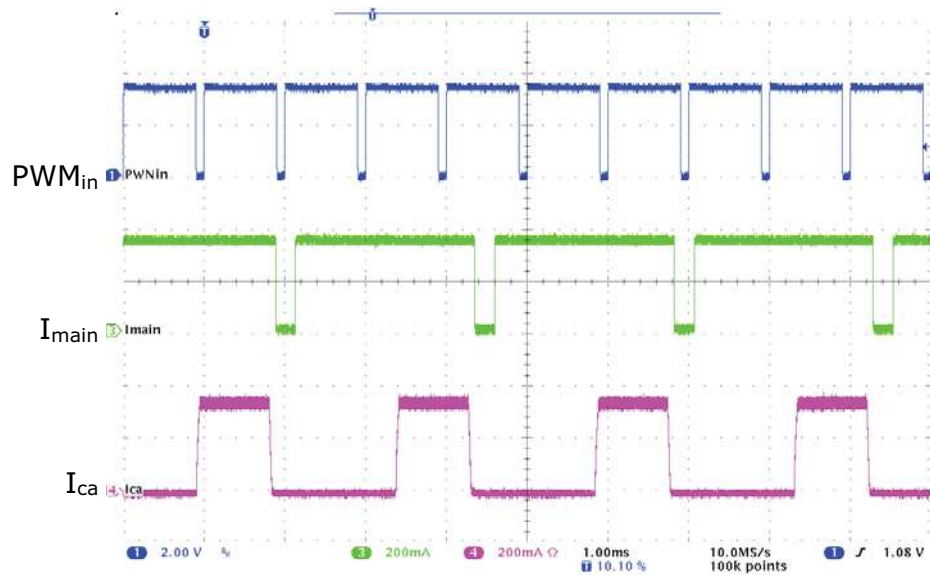


Figure 5-5. Fault response, string open circuit (Test conditions).

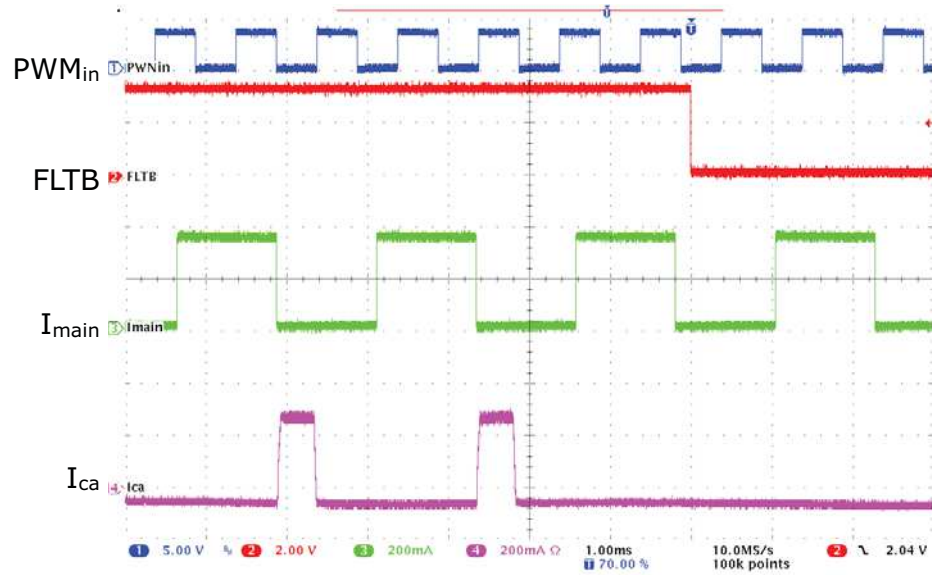


Figure 5-6. Fault response, LED short circuit (Test conditions).

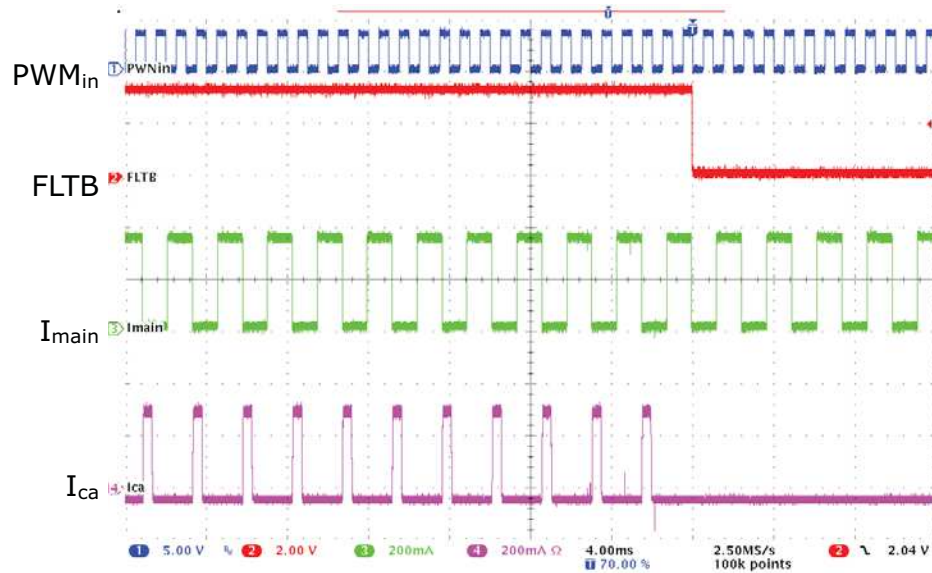


Figure 5-7. Input current vs. input voltage

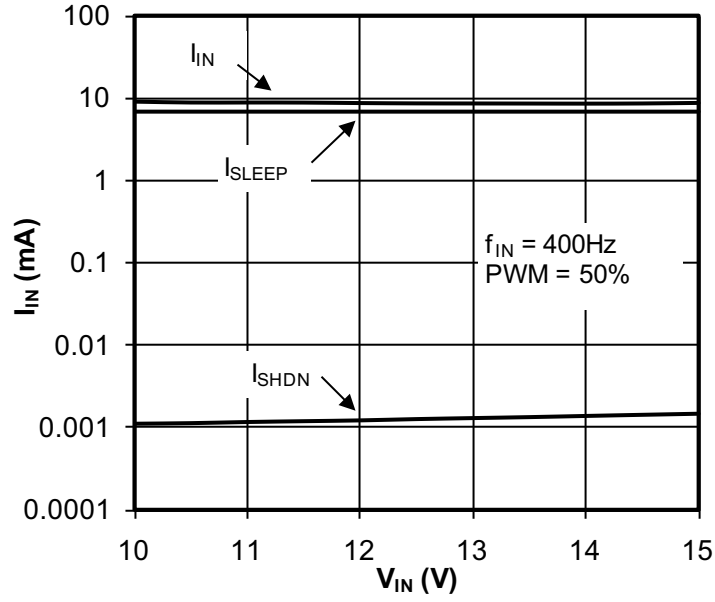


Figure 5-8. Average LED current vs. input PWM duty cycle

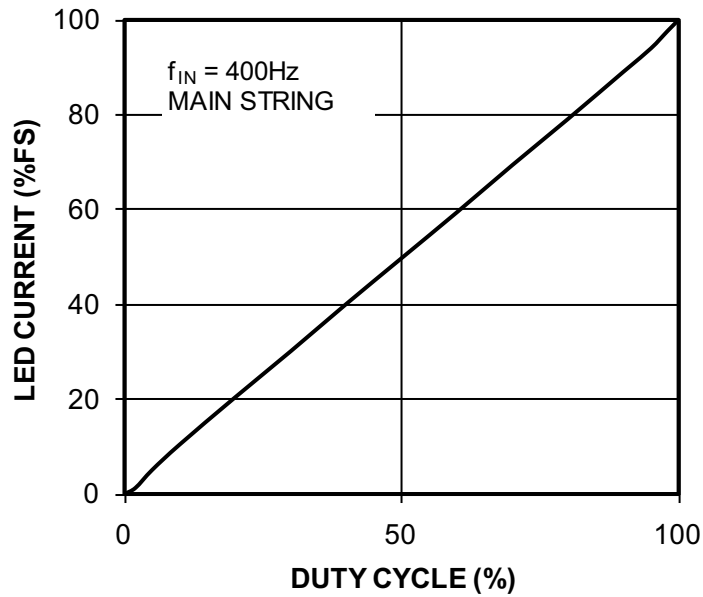
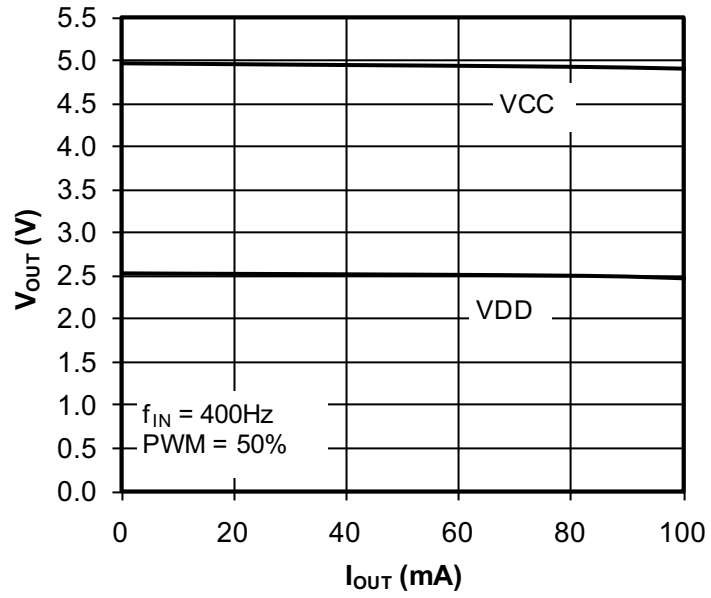
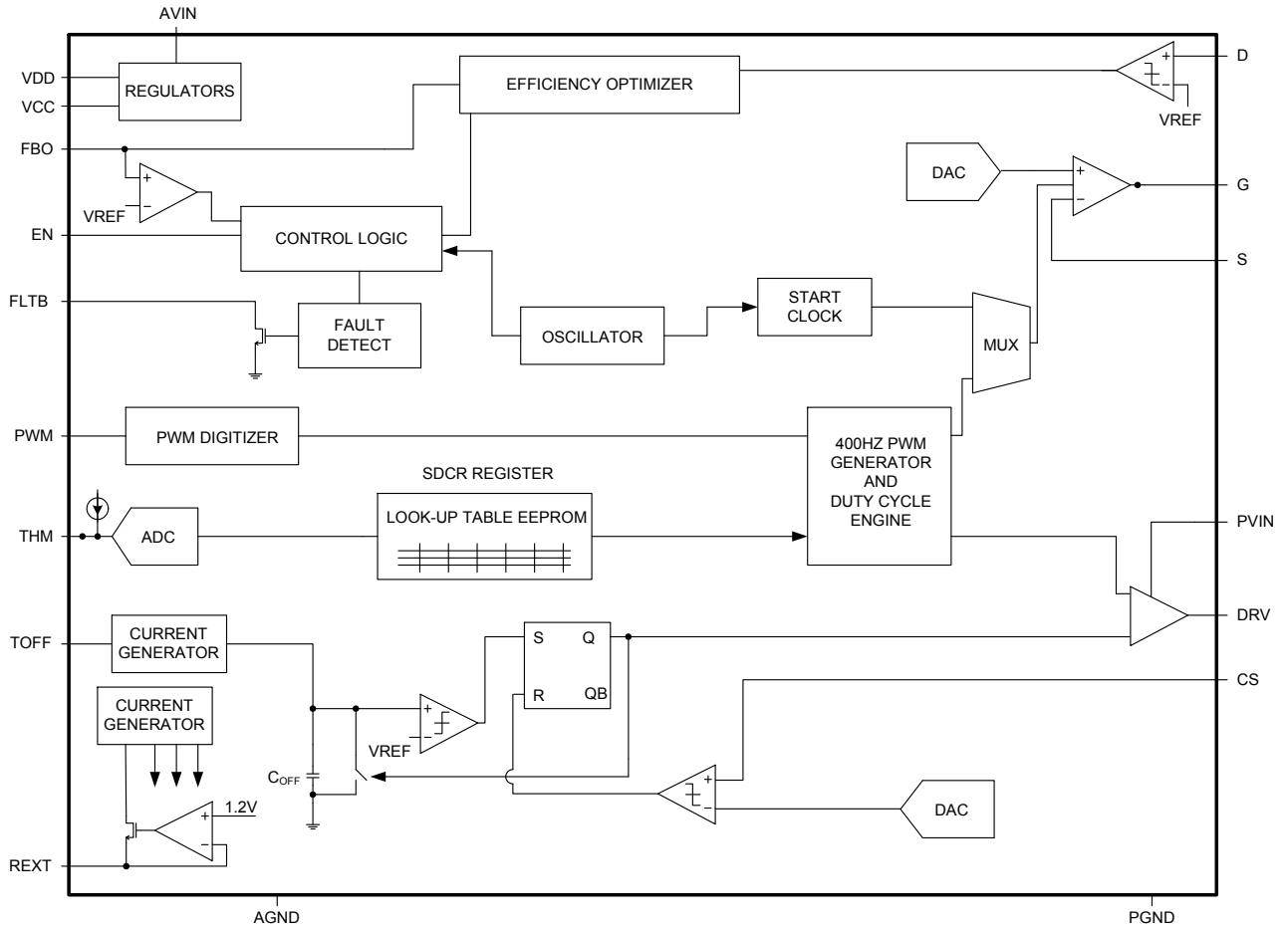


Figure 5-9. V_{CC} and V_{DD} regulation



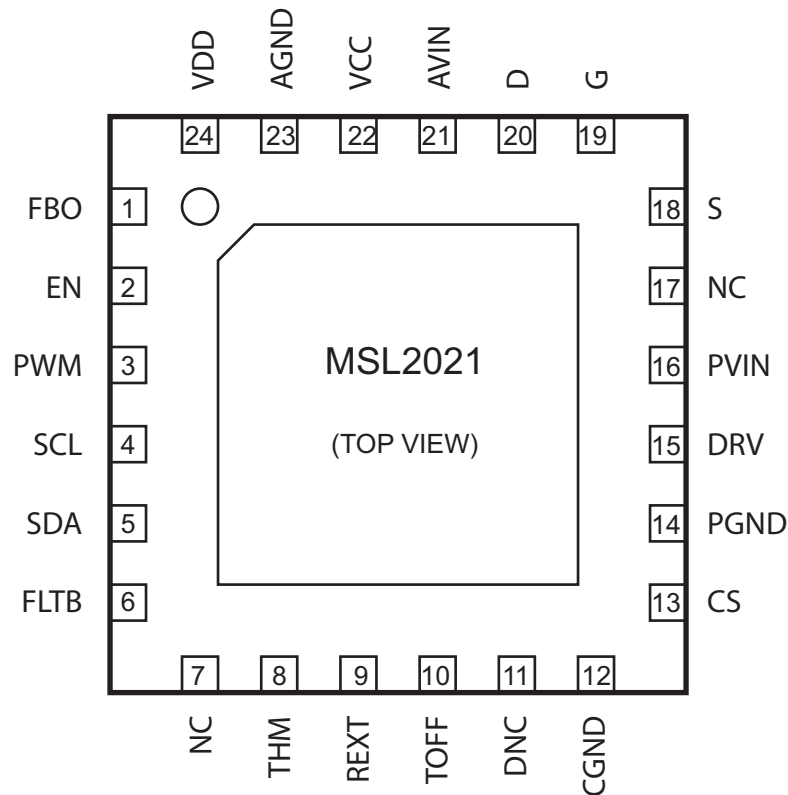
6. Block Diagram

Figure 6-1. MSL2021 block diagram



7. Pinout and Pin Description

7.1 Pinout MSL2021



7.2 Pin Descriptions

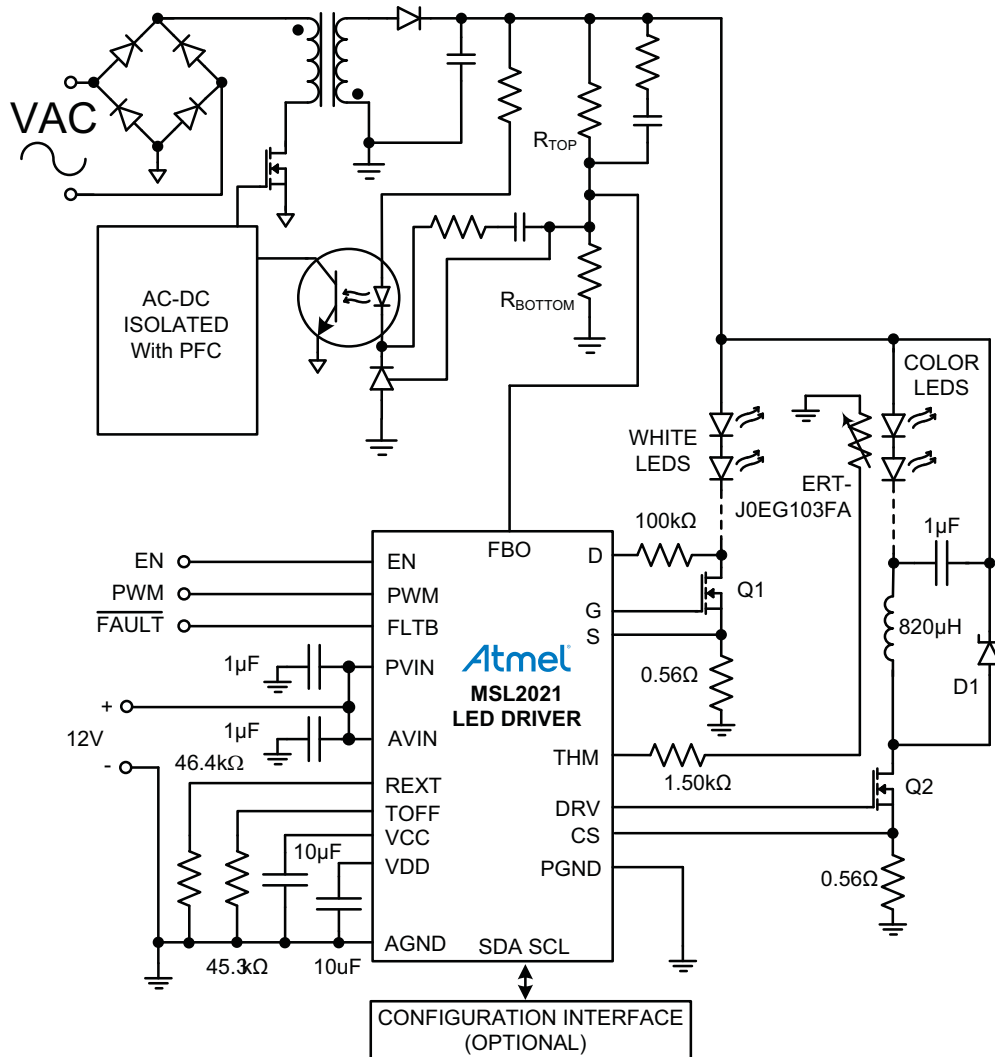
Name	Pin	Description
FBO	1	Feedback Output Feedback output from Efficiency Optimizer. Connect FBO to the LED power supply regulation feedback node to control V_{LED} . When unused connect FBO to VCC.
EN	2	Enable Input (Active High) Drive EN high to turn on the MSL2021, drive EN low to turn it off. For automatic start-up connect EN to AVIN.
PWM	3	PWM Dimming Input Drive PWM with a pulse-width modulated signal to control LED brightness. See “PWM and LED Brightness” on page 20 for details.
SCL	4	Serial Clock Input SCL is the I ² C serial interface clock input. See “I²C Serial Interface ” on page 31 details.
SDA	5	Serial Data Input/Output SDA is the I ² C serial interface data I/O. See “I²C Serial Interface ” on page 31 details.
FLTB	6	Fault Output (Open Drain, Active Low) FLTB sinks current to AGND when a fault condition exists. Toggle EN low then high to clear FLTB, or clear faults through the serial interface (see “Fault Status register (FAULTSTAT, 0x23), Read Only” on page 29). Use the serial interface to access fault information and to enable/disable fault response.

Name	Pin	Description
NC	7, 17	No Internal Connection
THM	8	NTC Thermistor Sensing Input Connect a negative temperature coefficient thermistor (ERT-J0EG103FA or equivalent) from THM to AGND, in series with a 1.5kΩ resistor. Locate the thermistor close to the Color-Adjust LEDs to monitor their temperature. This allows the MSL2021 to automatically temperature compensate the Color-Adjust string brightness.
REXT	9	External Resistor Connect a 46.4kΩ, 1% resistor from REXT to AGND.
TOFF	10	Off-Time Set Input A resistor from TOFF to AGND controls the constant off time for the Color-Adjust string floating buck converter, where $R_{TOFF} = t_{OFF} * (90.9 \times 10^9)$, with t_{OFF} in seconds and R_{TOFF} in Ohms. For example, an off time of 0.5μs results in a resistor value of 45.3kΩ (to the nearest 1% value).
DNC	11	Do Not Connect Do not make external connection to DNC.
CGND	12	Connect to Ground Connect CGND to AGND.
CS	13	Current Sense Input for the Color-Adjust String Connect CS to the external current sense resistor of the Color-Adjust string. The current sense threshold is 200mV.
PGND	14	Power Ground PGND is the ground connection for the FET gate drivers. Connect PGND to AGND close to the MSL2021.
DRV	15	Gate Drive for Color-Adjust (Floating Buck Regulator) MOSFET Connect DRV to the gate of the external power MOSFET.
PVIN	16	Power Voltage Input PVIN powers DRV, the floating buck FET gate driver. Bypass PVIN to PGND with a 1.0μF or greater capacitor.
S	18	Source Sense Input for Main LED String MOSFET Connect S to the source of the external MOSFET, and to the current sense resistor for the Main LED string. The current sense threshold is 200mV.
G	19	Gate Output for Main String MOSFET Connect G to the gate of the Main string external MOSFET.
D	20	Drain Output for Main String MOSFET Connect D to the drain of the Main string external MOSFET.
AVIN	21	Analog Voltage Input AVIN is the power input to the MSL2021. Bypass AVIN to AGND with a 1.0μF or greater capacitor placed close to AVIN.
VCC	22	5V Internal Voltage Connect 10uF bypass capacitor from VCC to AGND.
AGND	23	Analog Ground Connect AGND to system ground.
VDD	24	2.5V Internal Voltage Connect 10uF bypass capacitor from VDD to AGND.
EP	EP	Exposed Pad EP is the Main thermal path for heat to escape the die. Connect EP to a large copper plane connected to PGND and AGND.

8. Typical Application Circuit

MSL2021 controlling the output of an isolated PFC controller; a linear current sink regulates the white LED string current and a floating buck converter regulates the color LED string current.

Figure 8-1. Typical application circuit



9. Detailed Description

The MSL2021 drives two LED strings, the main string and the color-adjust string. The main string LEDs are typically white and used to provide accurate light intensity control. The color-adjust string LEDs are used to control the color temperature. The combined light output is a blended high CRI light, for example, than what white LEDs can alone produce. The main string is directly controlled by a Pulse Width Modulated (PWM) constant current controller (current sink to ground). An Efficiency Optimizer (EO) output controls the main string voltage, via feed-back to the LED string power supply, to minimize the voltage across the LED current controller, minimizing power loss.

The color-adjust string is regulated by a floating buck controller. The buck controller converts the voltage of the main string's supply to a voltage appropriate for the color-adjust LEDs. Additionally, the MSL2021 has a programmable 8-bit registers that allows adjustment of the current by changing the source feedback reference voltages (see "Block Diagram" on page 11).

10. Fault Conditions

The MSL2021 detects fault conditions, and takes corrective action when faults are verified.

String open circuit and LED short circuit conditions of the color-adjust string are monitored. When one of these faults occurs, FLTB pulls low to indicate a fault condition and the color-adjust LEDs turn off. Read Fault Status register 0x23 to determine the fault type. Clear these faults by toggling EN low then high. Faults that persist re-establish the fault response. Mask string faults using Fault Disable register 0x22.

For the main LED string, when an open LED occurs, the voltage of the AC/DC or DC/DC input power supply reaches the maximum allowed.

Over-temperature protection puts the device to sleep when the die temperature is above 133°C. The device turns back on when the die temperature falls below 118°C, and normal operation resumes. While asleep, the I²C interface remains active; see “[Fault Disable register \(FAULT, 0x22\)](#)” and “[Fault Status register \(FAULTSTAT, 0x23\), Read Only](#)” on page 29 for more information about thermal shutdown.

Table 10-1. Fault Conditions, Response and Recovery

Fault	Response	Recovery action
Die Temperature > 133°C	Asleep (I ² C still active)	When die temperature falls below 118°C operation resumes as if EN is pulled high
Color-adjust string has shorted LEDs	Color-adjust string turns off, FLTB pulls low, and bit 0 of the Fault Status register 0x23 sets high	Correct the short condition in LED string. Toggle EN low to high to resume operation
Color-adjust string is open circuit	Color-adjust string turns off, FLTB pulls low, and bit 1 of the Fault Status register 0x23 sets high	Correct the open condition in LED string. Toggle EN low to high resume operation

11. Applications Information

11.1 Turn-On Sequence

The MSL2021 waits for 250ms after power is applied to allow the AC/DC or DC/DC input supply to establish the default voltage. Then the MSL2021 starts to optimize the LED string voltage (V_{LED}), and then starts to drive the LED strings. It is critical that the AC/DC or DC/DC converter that powers the LED strings reaches its nominal output voltage in less than 250ms after power is applied. When the 250ms start-up delay is complete, the efficiency optimizer adjusts the LED voltage to the proper level to drive the main string. After the voltage is set, normal PWM operation begins for both the main and color-adjust strings. This turn-on sequence allows the light to come up at the proper color and intensity without flashing or flicker.

11.2 Setting the Main String Current with R_S

The Main string LED on-current regulates by monitoring the voltage at the S pin, the main string MOSFET source resistor connection. The default feedback voltage at the S pin is 200mV. Choose the string current sense resistor R_S using:

$$R_S = \frac{0.2}{I_{LED}} \Omega$$

where I_{LED} is the main string regulation current. The main string reference voltage (MREF) register 0x20 sets the feedback voltage, to 200mV, at 2mV per LSB. The regulation voltage, $V_{S(FB)}$, is:

$$V_{S(FB)} = (0.002 \cdot MREF)V$$

where MREF is the decimal equivalent of the value in register 0x20. The default value for MREF is 0x64, for a feedback voltage of 0.2V. Change the feedback voltage by changing the value in register 0x20 using the serial interface. LED average current is within $\pm 3\%$ of the targeted value when a 1% resistor is used for R_S .

11.3 Setting AC/DC Output Voltage

The efficiency optimizer output, FBO, connects to the AC/DC or DC/DC converter's output voltage feedback node, and pulls current from the node to force the converter's output voltage up. The MSL2021 works with any input power converter topology that uses a resistor divider to set its output voltage. Operation with a AC/DC PFC converter is described below.

Select the two resistors that set the nominal AC/DC LED power supply's output voltage by first determining the minimum output voltage using:

$$V_{OUT(MIN)} \leq (V_{fMIN}) \cdot (N) + 0.2V$$

where V_{fMIN} is the minimum LED forward voltage for the Main string LEDs at the expected LED current, N is the number of LEDs in the string, and 0.2V is the minimum overhead required for the current sense resistor and the FET. Then determine the maximum output voltage using:

$$V_{OUT(MAX)} = (V_{fMAX}) \cdot (N) + 1.2V$$

where V_{fMAX} is the maximum LED forward voltage for the Main string LEDs at the operating LED current, N is the number of LEDs in the string, and 1.2V is the maximum overhead required for the current sense resistor and the FET. Determine the value for the upper voltage setting resistor using:

$$R_{TOP} \geq \frac{V_{OUT(MAX)} - V_{OUT(MIN)}}{170 \cdot 10^{-6}} \Omega$$

where 170 μ A is the minimum FBO full scale current. Determine the lower resistor using:

$$R_{BOTTOM} = R_{TOP} \cdot \frac{V_{FB}}{V_{OUT(MIN)} - V_{FB}} \Omega$$

where V_{FB} is the feedback regulation voltage of the switch mode converter.

11.4 Selecting the Main String MOSFET

The Main string MOSFET sinks the string current to ground through current sense resistor R_S . Output of pin G drives the gate of the MOSFET at up to $V_{IN} - 2V$. Select a MOSFET with a maximum drain-source voltage of at least 20% above:

$$V_{fb} \left(\frac{R_{TOP}}{R_{BOTTOM}} + 1 \right) + 340\mu A \cdot R_{TOP}$$

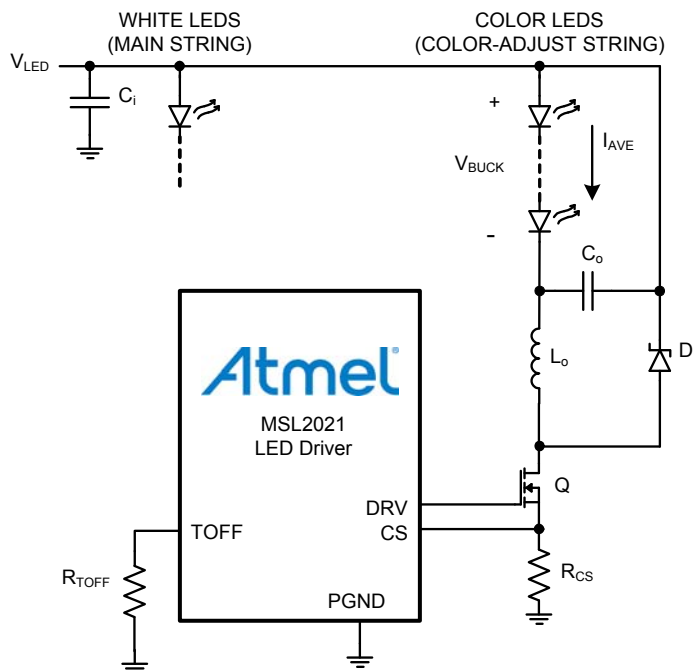
where 340 μ A is the maximum FBO full scale current.

11.5 Selecting the Drain Resistor – R_D

The drain resistor, R_D , connects the MSL2021 to the drain of the main string external MOSFET. Use a 100k Ω for R_D .

11.6 Selecting the Color-Adjust String Floating Buck Components

Figure 11-1. Floating buck LED driver



The MSL2021 includes a driver for a constant off-time floating buck topology, shown in [Figure 11-1](#), to convert the main string voltage to a value appropriate for the color-adjust LED string. The buck is operated in continuous conduction mode.

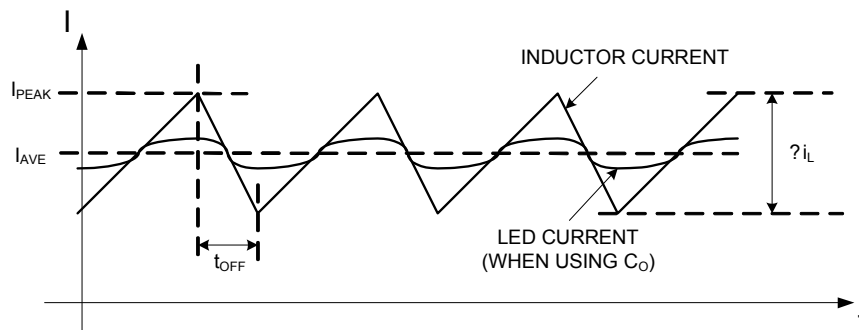
Continuous conduction operation is assured when the peak-to-peak ripple current in the inductor, Δi_L , is less than twice the average LED current. A peak-to-peak ripple current magnitude of 15% of the average LED on-current is suggested, i.e.

$$\Delta i_L \leq 0.15 I_{AVE} \text{ A}$$

where I_{AVE} is the average color-adjust LED string on-current. Choose I_{AVE} appropriate for the color-adjust LEDs ([Figure 11-1 on page 17](#) and [Figure 11-2 on page 18](#)) and calculate the peak string on-current using

$$I_{PEAK} = I_{AVE} + \frac{\Delta i_L}{2} \text{ A}$$

Figure 11-2. Color-adjust string LED on-current details.



The color-adjust string LED on-current regulates by monitoring the voltage at CS, the color-adjust string FET source resistor connection. The reference voltage V_{CSFB} for CS is 200mV (V_{CSFB} is 200mV by default, and is adjustable through the serial interface; see the register definitions for details about changing V_{CSFB}). Choose the current sense resistor R_{CS} using

$$R_{CS} = \frac{V_{CSFB}}{I_{PEAK}} \Omega$$

Determine V_{BUCK} , the voltage across the color-adjust LEDs, using

$$V_{BUCK} = NV_f V$$

where N is the number of LEDs in the string and V_f is the forward voltage drop of the LEDs at I_{PEAK} .

The duty ratio of MOSFET Q is

$$D = \frac{V_{BUCK}}{V_{LED}}$$

where V_{LED} is the main string voltage, [Figure 11-1 on page 17](#). The constant off-time of the MOSFET is t_{off} and calculated in seconds using

$$t_{off} = \frac{1-D}{f_s} s$$

where f_s is the selected switching frequency in Hz. Use 100kHz to 1MHz for f_s . Set t_{off} with resistor R_{TOFF} from TOFF to GND ([Figure 11-1 on page 17](#)), whose value is

$$R_{t_{off}} = t_{off}(90.9 \cdot 10^9) \Omega$$

Choose the inductor value using

$$L_O = \frac{V_{BUCK} \cdot t_{off}}{\Delta i_L} H$$

Use a ferrite inductor with a saturation current at least 50% higher than the peak current flowing in it:

$$I_{L_{SAT}} > 1.5 \cdot I_{PEAK} A$$

Note here a particular advantage of constant off-time operation of the buck converter is that ripple current is independent of the input voltage. The circuit provides a constant average LED current, I_{AVE} , but the buck converter actually regulates the peak inductor current, I_{PEAK} ([Figure 11-1 on page 17](#) and [Figure 11-2 on page 18](#)). From the equation for the inductor value L_O above, we see that because t_{off} is constant, and V_{BUCK} is relatively constant, the ripple current Δi_L is also constant, so that I_{AVE} is a constant, as desired. If the main string voltage changes, the switching frequency changes to keep the on-time constant, thus the ripple current is independent of the input voltage.

This topology does not require an output capacitor, C_o in [Figure 11-1 on page 17](#). When used, C_o steers the inductor's ripple current away from the LEDs but reduces the accuracy of PWM dimming because the voltage across it cannot change quickly. When using C_o , a ceramic capacitor of between 1.0 μ F and 10 μ F is adequate, with a voltage rating higher than V_{BUCK} .

The output capacitor of the AC/DC converter that produces the main string voltage, C_i in [Figure 11-1 on page 17](#), doubles as the buck's input capacitor. The capacitor's function is to provide a smooth voltage to the buck converter. It should be able to handle the R.M.S. ripple current of the buck converter, which is approximately equal to

$$I_{C_i} = I_{AVE} \sqrt{D(1-D)} \text{ A}$$

This ripple current peaks at a duty ratio of $D = 0.5$.

Select an N-channel MOSFET for Q with a maximum drain-source voltage at least 25% above V_{LED} . The R.M.S. current in the MOSFET is approximately equal to

$$I_Q = I_{AVE} \sqrt{D} \text{ A}$$

The MOSFET conduction power loss due to this current is

$$P_{CON} = I_Q^2 R_{DS} = I_{AVE}^2 R_{DS} D \text{ W}$$

where R_{DS} is the hot on-resistance of the MOSFET, which can be found in the MOSFET datasheet, and is typically 1.5 to 1.8 times greater than the cold resistance. The MOSFET will also incur switching losses, which can be difficult to calculate exactly. A good rule-of-thumb is to choose a MOSFET in a package that dissipates at least four times P_{CON} .

The average current in the output rectifier D_1 is

$$I_{D_1} = I_{AVE}(1-D) \text{ A}$$

and the power dissipated in the rectifier due to conduction is

$$P_{CON_{D_1}} = I_{D_1} V_{on} \text{ W}$$

where V_{on} is the voltage drop across the rectifier at the forward current of I_{D_1} . Pick a rectifier with an average current rating at least 50% higher than I_{D_1} . Use a Schottky rectifier if the LED voltage is less than 50V. The Schottky rectifier's voltage rating should be at least 25% higher than V_{LED} . Schottky rectifiers have very low on-state voltage and very fast switching speed, but at high voltage and high temperatures their leakage current becomes significant. The power dissipated in the Schottky rectifier due to the leakage current at any temperature and duty ratio is

$$P_{lkg} = V_{LED} I_r D \text{ W}$$

where I_r is the reverse leakage current, found in the diode's datasheet. This power must be added to the conduction power loss.

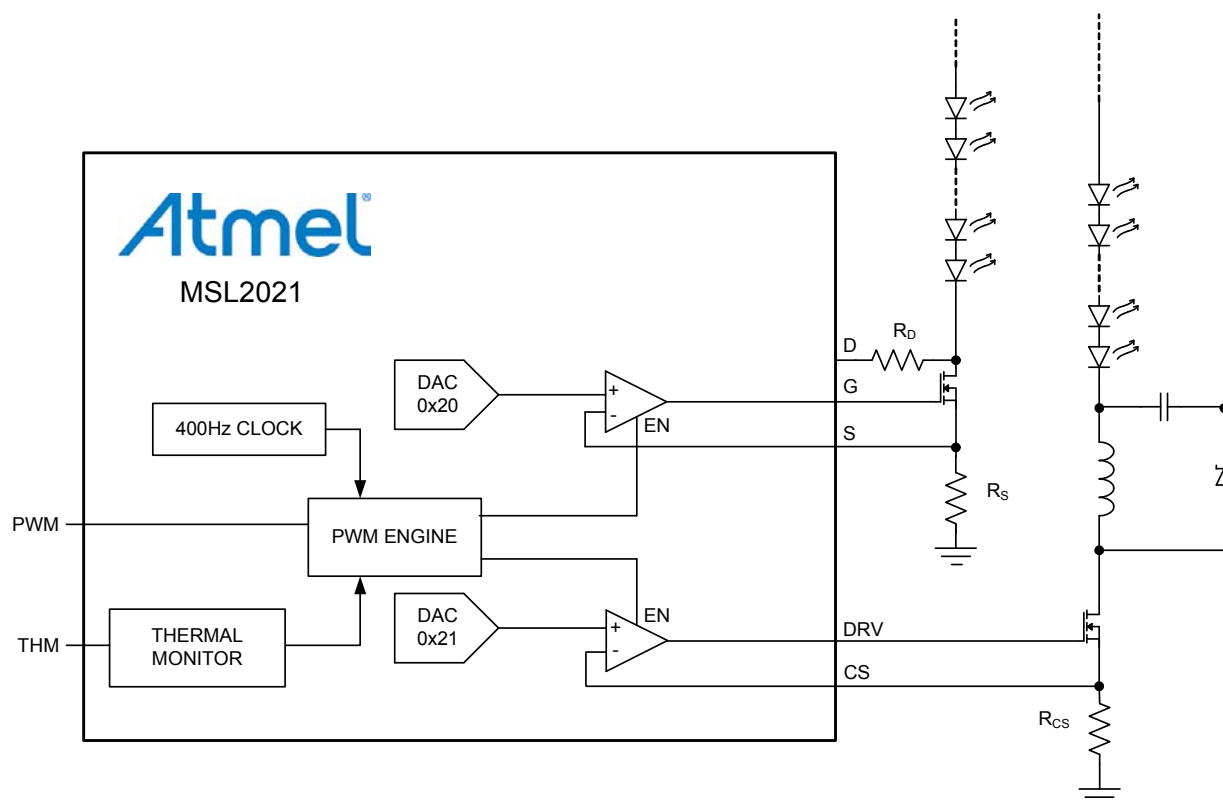
$$P_{D_1} = P_{CON_{D_1}} + P_{lkg} \text{ W}$$

Make sure that the rectifier's total power dissipation is within the rectifier's specifications.

11.7 PWM and LED Brightness

The “Block Diagram” on page 11 shows how the MSL2021 controls the brightness of the LEDs. The duty cycle of the main string equals the duty cycle of the input signal at PWM. The PWM input accepts an input signal frequency of 60Hz to 10kHz, while the LED dimming frequency, of both the main and color-adjust strings, is 400Hz. The duty cycle of the color-adjust string is based on the duty cycle of the signal at the PWM input, but compensated for temperature based on a programmable look-up table, whose defaults are presented in Table 11-2 on page 21. See “Light Color and the THM Input” on page 20 for temperature adjustment information.

Figure 11-3. LED current and duty cycle control.



11.8 Light Color and the THM Input

The overall color of the light generated by the two LED strings is a blend of the main string's white LEDs and the color-adjust string's color LEDs. Brightness is primarily controlled by the duty cycles of the PWM signals driving the LEDs. The brightness of white LEDs is relatively constant over temperature, but the brightness of color LEDs may drop significantly as temperature increases. The main string's PWM duty cycle is fixed at the duty cycle of the input PWM signal, but the duty cycle of the color-adjust string is changed as the LED temperature changes, to keep the blended light color constant.

The thermistor input, THM, monitors the temperature of an external thermistor connected from THM to ground. A fixed current is forced out THM to generate a voltage that is proportional to the thermistor's temperature. The THM voltage is measured by a 8-bit ADC internal to the MSL2021. When used with the suggested thermistor (ERT-J0EG103FA or equivalent) in series with a 1.5k Ω resistor, THM measures temperatures from 18°C to 80°C with 2°C resolution, for 32 different temperature values. When the temperature is below 18°C, 18°C is returned by the temperature monitor circuit. When the temperature is above 80°C, 80°C is returned by the temperature monitor circuit. The temperature information is fed to the color-adjust string's duty cycle circuit.

The MSL2021 modifies the color-adjust string duty cycle using a look-up table. Default values are presented in Table 11-1; each location in the table corresponds to one temperature. The modification value is stored in the table as an 8-bit color-adjust duty cycle ratio (SDCR). The SDCR, a number from 0 to 255, is divided by 255, and multiplied by the duty cycle of the incoming PWM signal. The result is the duty cycle of the color-adjust string. The table is programmable through the serial interface when values different from the defaults are desired.

Table 11-1. Temperature based duty cycle modification of the color-adjust string

Part	COLOR-ADJUST DUTY CYCL TEMPERATURE ADJUSTMENT	Limits
MSL2021	$DC_{CA} = \frac{SDCR_{xx}}{255} \cdot DC_{PWM}$	SDCR _{xx} = VALUE IN LOOK-UP TABLE 0x00 THRU 0x1F SDCR _{xx} = 0xFF RETURNS 100% OF THE PWM DUTY CYCLE SDCR _{xx} = 0x00 RETURNS 0% OF THE PWM DUTY CYCLE

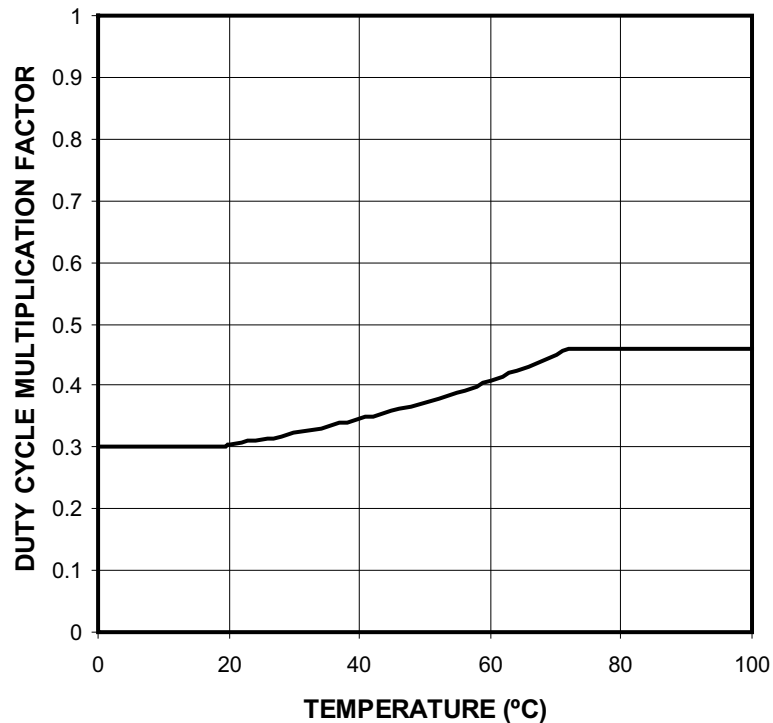
Table 11-2. Temperature Look-Up Table Defaults⁽¹⁾

Temperature (°C)	Register			Multiplication factor $\frac{SDCR_{xx}}{255}$
	Address	Name	Default Value	
≤18	0x00	SDCR18	0x4C	0.300
20	0x01	SDCR20	0x4D	0.303
22	0x02	SDCR22	0x4E	0.307
24	0x03	SDCR24	0x4F	0.311
26	0x04	SDCR26	0x50	0.314
28	0x05	SDCR28	0x51	0.318
30	0x06	SDCR30	0x52	0.322
32	0x07	SDCR32	0x53	0.327
34	0x08	SDCR34	0x54	0.331
36	0x09	SDCR36	0x55	0.336
38	0x0A	SDCR38	0x56	0.340
40	0x0B	SDCR40	0x58	0.345
42	0x0C	SDCR42	0x59	0.350
44	0x0D	SDCR44	0x5A	0.355
46	0x0E	SDCR46	0x5C	0.361
48	0x0F	SDCR48	0x5D	0.367
50	0x10	SDCR50	0x5E	0.373
52	0x11	SDCR52	0x60	0.379
54	0x12	SDCR54	0x62	0.385
56	0x13	SDCR56	0x63	0.392
58	0x14	SDCR58	0x65	0.399

Temperature (°C)	Register			Multiplication factor $\frac{SDCR_{xx}}{255}$
	Address	Name	Default Value	
60	0x15	SDCR60	0x67	0.406
62	0x16	SDCR62	0x69	0.414
64	0x17	SDCR24	0x6B	0.422
66	0x18	SDCR66	0x6D	0.431
68	0x19	SDCR68	0x70	0.440
70	0x1A	SDCR70	0x72	0.450
72	0x1B	SDCR72	0x72	0.460
74	0x1C	SDCR74	0x72	0.460
76	0x1D	SDCR76	0x72	0.460
78	0x1E	SDCR78	0x72	0.460
≥80	0x1F	SDCR70	0x72	0.460

Note: 1. Change SDCRxx values through the serial interface

Figure 11-4. MSL2021 default look-up Table color correction vs. temperature.



11.9 MSL2021 Look-Up Table Lockout Procedure

The MSL2021 features a lock for the look-up table. When locked, the table's registers (0x00 through 0x1F) become read-only. A locked table cannot be unlocked; changing the table's registers is no longer possible. Reads of a locked table's registers return 0x00, unless the password (chosen when locking the table) is first entered to make the registers visible.

Locking the table requires use of the I²C interface to enter data, read data and program the EEPROM. For information about using the I²C interface, see ["I²C Serial Interface" on page 31](#). For information about programming the EEPROM see ["EEPROM Address and Control/Status Registers" on page 26](#).

Lock the table by performing the following sequence; an example is presented below:

1. Fill the look-up table with data.
2. Commit the look-up table to EEPROM.
3. Cycle power, then verify the contents of the look-up table.
4. Choose a 16-bit password.
5. Enter the password into Password Registers 0x68 and 0x69.
6. Enter the password into Password Verification Registers 0x38 and 0x39.
7. Commit the password to EEPROM.
8. Set the lock bit.
9. Commit the lock bit to EEPROM.
10. Cycle power to the MSL2021.

11.9.1 Example:

The Look-Up Table is four pages long (each page is 8-bytes). When the look-up table is filled with the proper data, commit the data to the EEPROM, one page at a time, by sending the following commands to the MSL2021 through its I²C interface:

```
0x60 0x00 {to register 0x60 write 0x00: sets the EEPROM write pointer to 0x00}
```

```
0x61 0x04 {to register 0x61 write 0x04: writes the first page (8 bytes) of data to the EEPROM}
```

```
Wait 5ms.
```

```
0x61 0x00 {to register 0x61 write 0x00 : disables EEPROM writing}
```

```
0x60 0x08 {sets the EEPROM write pointer to 0x08}
```

```
0x61 0x04 {writes the second page of data to the EEPROM}
```

```
Wait 5ms.
```

```
0x61 0x00 {disables EEPROM writing}
```

```
0x60 0x10 {sets the EEPROM write pointer to 0x10}
```

```
0x61 0x04 {writes the third page of data to the EEPROM}
```

```
Wait 5ms.
```

```
0x61 0x00 {disables EEPROM writing}
```

```
0x60 0x18 {sets the EEPROM write pointer to 0x18}
```

```
0x61 0x04 {writes the final page of data to the EEPROM}
```

```
Wait 5ms.
```


0x61 0x00 {disables EEPROM writing}

The EEPROM is now programmed with the data that are in registers 0x00 through 0x1F (the look-up table). Although not required, now is a good time to cycle power to the MSL2021, then read registers 0x00 through 0x1F to verify that the EEPROM was properly programmed (at power-up the EEPROM automatically programs registers 0x00 through 0x40).

Next, choose a 16-bit password and write it into the Password Registers, and into the Password Verification Registers. For this example the password is 0xAA55:

0x68 0xAA

0x69 0x55 {writes the password into the password registers 0x68 and 0x69}

0x38 0xAA

0x38 0x55 {writes the same password into the password verification registers 0x38 and 0x39}

Now commit the password to EEPROM.

0x60 0x68 {sets the EEPROM write pointer to 0x68}

0x61 0x03 {writes the first byte of the password to the EEPROM}

Wait 5ms.

0x61 0x00 {disables EEPROM writing}

0x60 0x69 {sets the EEPROM write pointer to 0x69}

0x61 0x03 {writes the second byte of the password to the EEPROM}

Wait 5ms.

0x61 0x00 {disables EEPROM writing}

Next, set the lock bit and commit it to EEPROM.

0x3A 0x02 {sets the lock bit (bit D1) in register 0x3A}

0x60 0x3A {sets the EEPROM write pointer to 0x3A}

0x61 0x03 {writes the contents of register 0x3A to the EEPROM}

Wait 5ms.

0x61 0x00 {disables EEPROM writing}

Now cycle power to the MSL2021. All reads of the Look-Up Table now return 0x00.

To read the Table, enter the password into the password verification registers:

0x38 0xAA

0x39 0x55 {writes the password into registers 0x38 and 0x39}

Reads of the Look-Up Table now return its true contents, until the password register is changed, power is cycled or enable input EN is toggled.

12. Control Registers

Table 12-1. Register map⁽¹⁾

Address and Register name		Function	Default value ⁽²⁾	Bit functions							
				D7	D6	D5	D4	D3	D2	D1	D0
0x00	SDCR18	Look up for 18°C	0x4C	Look up table							
0x01	SDCR20	Look up for 20°C	0x4D	Look up table							
...thru...				...thru...							
0x1E	SDCR78	Look up for 78°C	0x72	Look up table							
0x1F	SDCR80	Look up for 80°C	0x72	Look up table							
0x20	MREF	Main String Feedback Reference Voltage	0x64	MS _{REF} = 2mV per LSB							
0x21	CAREF	Color-Adjust String Reference Feedback Voltage	0x64	V _{CAREF} = 2mV per LSB							
0x22	FAULT DISABLE	Color-Adjust Fault Disable	0x00	-	-	-	-	-	TSDMASK	OCDIS	SCDIS
0x23	FAULTSTAT	Fault Status	Read Only	-	-	-	-	-	TSD	OCFLT	SCFLT
0x24	SLEEP	Configuration	0x00	-	-	-	-	-	-	-	SLEEP
0x31	TEMP	Temperature	Read Only	Thermistor temperature							
0x38	PWV(HIGH)	Look-Up Table Password Verification High Byte	0xFF	Look-Up Table Password Verification [15:8]							
0x39	PWV(LOW)	Look-Up Table Password Verification Low Byte	0xFF	Look-Up Table Password Verification [7:0]							
0x3A	LUT LOCK	Look-Up Table Lock	0x83	-	-	-	-	-	-	LOCK[1:0]	
0x40	EOCTRL	Efficiency Optimizer	0xE5	-	-	-	-	DThresh[3:0]			
0x60	E2ADDR	EEPROM Address	0x00	-	EEPROM Address Pointer						
0x61	E2CTRL	EEPROM Control	0x00	-	-	-	-	-	RWCTRL[2:0]		
0x68	PW(HIGH)	Look-Up Table Password High Byte	0xFF	Look-Up Table Password [15:8]							
0x69	PW(LOW)	Look-Up Table Password Low Byte	0xFF	Look-Up Table Password [7:0]							

- Notes:
1. Do not change the contents of undefined bits or unlisted registers.
 2. Unless changed through the EEPROM, these default values load at power-up, and when EN is taken from low to high.