



Chipsmall Limited consists of a professional team with an average of over 10 year of expertise in the distribution of electronic components. Based in Hongkong, we have already established firm and mutual-benefit business relationships with customers from,Europe,America and south Asia,supplying obsolete and hard-to-find components to meet their specific needs.

With the principle of “Quality Parts,Customers Priority,Honest Operation,and Considerate Service”,our business mainly focus on the distribution of electronic components. Line cards we deal with include Microchip,ALPS,ROHM,Xilinx,Pulse,ON,Everlight and Freescale. Main products comprise IC,Modules,Potentiometer,IC Socket,Relay,Connector.Our parts cover such applications as commercial,industrial, and automotives areas.

We are looking forward to setting up business relationship with you and hope to provide you with the best service and solution. Let us make a better world for our industry!



Contact us

Tel: +86-755-8981 8866 Fax: +86-755-8427 6832

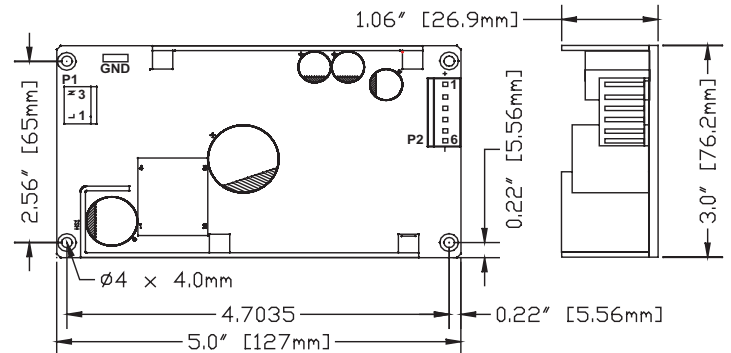
Email & Skype: info@chipsmall.com Web: www.chipsmall.com

Address: A1208, Overseas Decoration Building, #122 Zhenhua RD., Futian, Shenzhen, China



MSM40 series

40 Watt Medical Grade Power Supply



Features

- Wide range AC input
- Fully regulated output
- High efficiency
- Medical grade approval
- 5 year warranty

Environmental

- Operating temperature..... 0° C to 50° C
- Storage temperature..... -55° C to 85° C
- Weight = 0.40 lbs

EMI/EMC

- Meets FCC class B, CISPR 11 class B
- EMC per EN60601-1-2

Safety

- UR/cUR UL2601-1
- CE Marked EN60601-1-2:2001

Input and Output Connections

- Input connector (P1) = AMP p/n 640445-3
- Input mating connector = AMP p/n 640250-3
- Output connector (P2) = AMP p/n 640445-6
- Output mating connector = AMP p/n 640250-6
- Mating connector contacts = AMP p/n 770476-1

Polarity	1	2	3	4	5	6
Input P1	AC Line	-	AC Neutral	-	-	-
Output P2	+V1	+V1	+V1	Com	Com	Com

Input P1 GND 0.25" FASTON TAB

Electrical Specifications

Input

- Voltage.....90 - 264 VAC
- Current.....0.72 Amp @ 100 VAC
- Frequency.....47 - 63 Hz
- Max. Earth leakage current:

Test Voltage	Normal	Single-fault
132 VAC 60 Hz	25 uA	45 uA
264 VAC 50 Hz	45 uA	90 uA

Output

- Line regulation..... TYP +/- 0.5%
- Load regulation..... TYP +/- 2%
- Hold up time.....20 ms min at full load, 115 VAC
- Transient response..... 2 ms for 50% load change typical
- Over voltage protection.....Built-in
- Over current protection..... 150% of max load
- Short circuit protection..... Pulsing mode, auto recovery
- Efficiency..... 80% min at full load and 115 VAC
- Ripple/noise (V_{p-p})..... +/- 0.5% (20 MHz bandwidth)

Model No.	Voltage	Power	Current
MSM4012	12V	40W	3.3A
MSM4015	15V	40W	2.6A
MSM4018	18V	40W	2.2A
MSM4024	24V	40W	1.67A