



Chipsmall Limited consists of a professional team with an average of over 10 year of expertise in the distribution of electronic components. Based in Hongkong, we have already established firm and mutual-benefit business relationships with customers from,Europe,America and south Asia,supplying obsolete and hard-to-find components to meet their specific needs.

With the principle of “Quality Parts,Customers Priority,Honest Operation,and Considerate Service”,our business mainly focus on the distribution of electronic components. Line cards we deal with include Microchip,ALPS,ROHM,Xilinx,Pulse,ON,Everlight and Freescale. Main products comprise IC,Modules,Potentiometer,IC Socket,Relay,Connector.Our parts cover such applications as commercial,industrial, and automotives areas.

We are looking forward to setting up business relationship with you and hope to provide you with the best service and solution. Let us make a better world for our industry!



Contact us

Tel: +86-755-8981 8866 Fax: +86-755-8427 6832

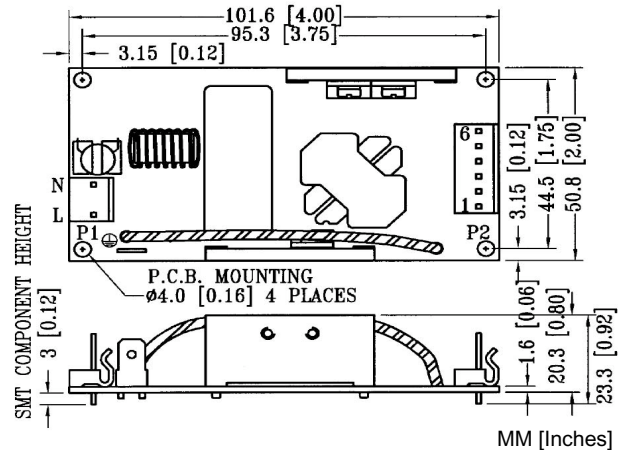
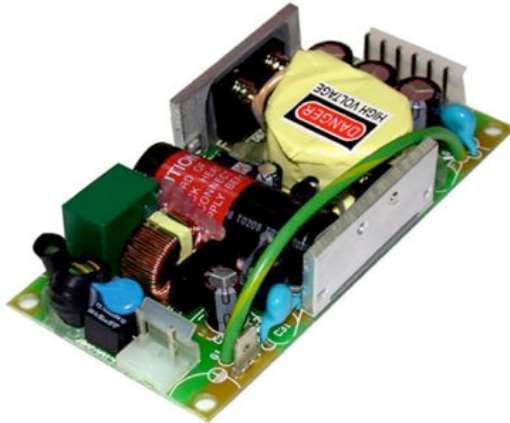
Email & Skype: info@chipsmall.com Web: www.chipsmall.com

Address: A1208, Overseas Decoration Building, #122 Zhenhua RD., Futian, Shenzhen, China



MSM63 series

60 Watt Medical Grade Power Supply



Features

- Compact 2 x 4 x 1 inch form factor
- Wide range AC input, fully regulated output
- High efficiency
- Medical grade approvals
- 5 year warranty

Environmental

- Operating temperature..... 0° C to 50° C (forced air for full load)
- Storage temperature..... -20° C to 85° C
- Weight = 0.27 lbs
- At least 5 cfm direct forward air flow required to achieve full rating

EMI/EMC

- Meets FCC class B, EN 55011
- EMC per EN60601-1-2

Safety

- UR/cUR UL2601-1
- CE Marked EN60601-1 Class I

Polarity	1	2	3	4	5	6
Input P1	Ntl	-	Line	-	-	-
Output P2	+V1	+V1	Com	Com	-	-

Input and Output Connections

- Input connector (P1) = V-M Connector
- Input mating connector = Molex 5195 or 5239 series
- Output connector (P2) = V-M Connector
- Output mating connector = Molex 5195 or 5239 series

Electrical Specifications

Input

- Voltage..... 100 - 240 VAC
- Current..... Max. 1.2 Amp
- Frequency..... 47 - 63 Hz
- Max. Earth leakage current:

Test Voltage	Normal	Single-fault
132 VAC 60 Hz	60 uA	100 uA
264 VAC 50 Hz	100 uA	150 uA

Output

- Line regulation..... TYP +/- 0.5%
- Load regulation..... TYP +/- 2%
- Hold up time..... 11 ms min at full load, 115 VAC
- Transient response..... 0.5 ms for a 50% load change
- Over voltage protection..... Built-in
- Over current protection..... Built-in
- Short circuit protection..... Built-in
- Efficiency..... 80% min at full load and 115 VAC
- Ripple/noise (V_{p-p})..... +/-1% (20 MHz bandwidth)

Model No.	Voltage	Power	Current
MSM6312	12V	60W	5.0A
MSM6315	15V	60W	4.0A
MSM6324	24V	60W	2.5A

- Max output power..... 50W with convection cooling;
60W with at least 0.5 CFM forced air cooling