



Chipsmall Limited consists of a professional team with an average of over 10 year of expertise in the distribution of electronic components. Based in Hongkong, we have already established firm and mutual-benefit business relationships with customers from,Europe,America and south Asia,supplying obsolete and hard-to-find components to meet their specific needs.

With the principle of “Quality Parts,Customers Priority,Honest Operation,and Considerate Service”,our business mainly focus on the distribution of electronic components. Line cards we deal with include Microchip,ALPS,ROHM,Xilinx,Pulse,ON,Everlight and Freescale. Main products comprise IC,Modules,Potentiometer,IC Socket,Relay,Connector.Our parts cover such applications as commercial,industrial, and automotives areas.

We are looking forward to setting up business relationship with you and hope to provide you with the best service and solution. Let us make a better world for our industry!



## Contact us

Tel: +86-755-8981 8866 Fax: +86-755-8427 6832

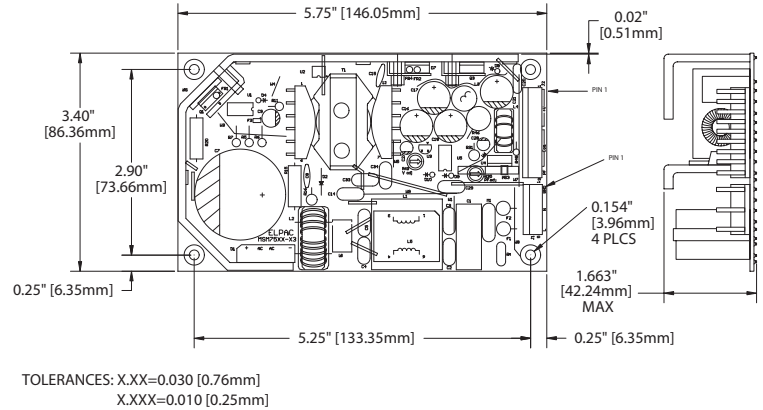
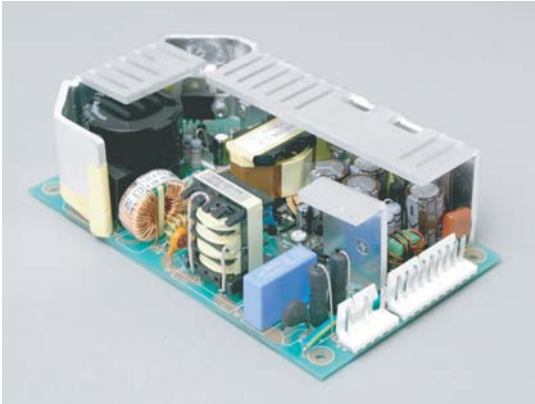
Email & Skype: info@chipsmall.com Web: www.chipsmall.com

Address: A1208, Overseas Decoration Building, #122 Zhenhua RD., Futian, Shenzhen, China



# MSM75 series

# 75 Watt Medical Grade Power Supply



### Features

- Wide range AC input
- Fully regulated output
- High efficiency
- Medical grade approval
- Dimensions meet 1U applications
- 5 year warranty

### EMI/EMC

- Meets FCC class B, CISPR 11 class B
- EMC per EN60601-1-2
- Complies with EN61000-3-2 class A

### Safety

- UR/cUR UL2601-1
- CE Marked EN60601-1-2:2001

Polarity	1	2	3	4	5	6	7	8	9
Input P1	Gnd	-	Neut.	-	Line	-	-	-	-
Output P2	+V	+V	+V	+V	Com	Com	Com	Com	Pwr Fail

### Input and Output Connections

- Input connector = AMP p/n 643495-2
- Input mating connector = AMP p/n 640250-5 or equivalent
- Input mating connector contacts = AMP p/n 770476-1 or equivalent
- Output connector = AMP p/n 640445-9
- Output mating connector = AMP p/n 640250-9 or equivalent
- Output mating connector contacts = AMP p/n 770476-1 or equivalent

### Electrical Specifications

#### Input

- Voltage.....90-264 VAC
- Current.....1.5 Amp @ 100 VAC
- Frequency.....47 - 63 Hz
- Earth leakage current.....70 uA, 264 V @ 50 Hz (normal condition)

#### Output

- Line regulation..... TYP +/- 1%
- Load regulation..... TYP +/- 3%
- Hold up time.....15 ms min at full load, 115 VAC
- Transient response.....2 ms for 50% to 100% load change
- Over voltage protection.....Built-in
- Over current protection..... Built-in
- Short circuit protection..... Pulsing mode, auto recovery
- Efficiency.....80% min at full load and 115 VAC
- Ripple/noise (V<sub>p-p</sub>).....1% (20 MHz bandwidth)

### Environmental

- Operating temperature.....0° C to 50° C
- Storage temperature.....-55° C to 85° C
- Weight = 0.50 lbs

Model No.	Voltage	Power	Current
MSM7512	12V	75W	6.3A
MSM7515	15V	75W	5A
MSM7524	24V	75W	3.1A
MSM7528	28V	75W	2.7A