



Chipsmall Limited consists of a professional team with an average of over 10 year of expertise in the distribution of electronic components. Based in Hongkong, we have already established firm and mutual-benefit business relationships with customers from,Europe,America and south Asia,supplying obsolete and hard-to-find components to meet their specific needs.

With the principle of “Quality Parts,Customers Priority,Honest Operation,and Considerate Service”,our business mainly focus on the distribution of electronic components. Line cards we deal with include Microchip,ALPS,ROHM,Xilinx,Pulse,ON,Everlight and Freescale. Main products comprise IC,Modules,Potentiometer,IC Socket,Relay,Connector.Our parts cover such applications as commercial,industrial, and automotives areas.

We are looking forward to setting up business relationship with you and hope to provide you with the best service and solution. Let us make a better world for our industry!



Contact us

Tel: +86-755-8981 8866 Fax: +86-755-8427 6832

Email & Skype: info@chipsmall.com Web: www.chipsmall.com

Address: A1208, Overseas Decoration Building, #122 Zhenhua RD., Futian, Shenzhen, China

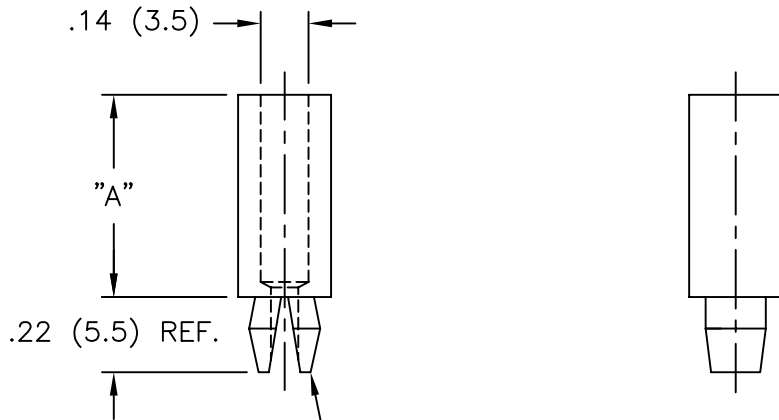


ENGLISH

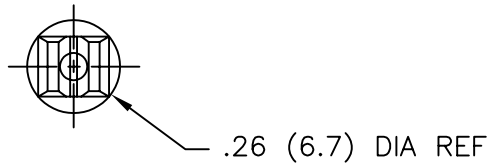
METRIC

PART NO.	"A" ±.015 (±0.4)
MSNE-2-01	1/8 (3.18)
MSNE-3-01	3/16 (4.8)
MSNE-4-01	1/4 (6.35)
MSNE-5-01	5/16 (7.94)
MSNE-6-01	3/8 (9.5)
MSNE-8-01	1/2 (12.7)
MSNE-10-01	5/8 (15.9)
MSNE-12-01	3/4 (19.1)
MSNE-16-01	1 (25.4)

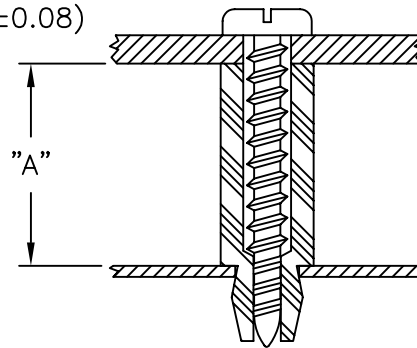
PART NO.	"A"±0.4
MSNE-4M-01	4.0
MSNE-6M-01	6.0
MSNE-8M-01	8.0
MSNE-10M-01	10.0
MSNE-12M-01	12.0



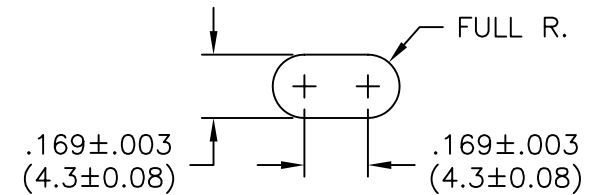
TO FIT IN A $.169 \pm .003$ (4.3±0.08)
SQUARE HOLE IN A
.063 (1.6) THICK PANEL



TYPICAL ASSEMBLY



OPTIONAL MOUNTING HOLE



NOTES:

1. MATERIAL: NYLON 6/6 (RMS-01).
FLAME RETARDANT NYLON (RMS-19),
AVAILABLE BY SPECIAL ORDER ONLY.
2. COLOR: NATURAL.
3. ACCEPTS NO. 4AB SELF TAPPING SCREW.

TITLE: STAND-OFF NUT			DWG IN IN (MM) FINAL				
E	SEE ECN #549 FOR CHANGES	SM 12.20.02	FILE # MSNE	DWN: P.B.	APP:	PART # SEE TABLE	PRINT TYPE CA
D	UPDATED PRINT AND CHANGED FILE NO.	SM 10.08.01	MAT'L: SEE NOTES	DT: 04-06-94	DT:		
C	DIM "A" ON METRIC CHART CORRECTED	J.L. 1.27.99	RE: RICHCO, INC.	RICHCO INC.			
B	METRIC SERIES ADDED	J.L. 7.17.98	PO BOX 804238, CHICAGO, 60680				
A	MSNE-16-01 ADDED	J.L. 2.18.98	(773) 539-4060				
REV	DESCRIPTION	ENGR DATE	TOLERANCES UNLESS NOTED .XX=±.010 .XXX=±.005 FRAC=±1/64 ANG=±1°				