



Chipsmall Limited consists of a professional team with an average of over 10 year of expertise in the distribution of electronic components. Based in Hongkong, we have already established firm and mutual-benefit business relationships with customers from,Europe,America and south Asia,supplying obsolete and hard-to-find components to meet their specific needs.

With the principle of “Quality Parts,Customers Priority,Honest Operation,and Considerate Service”,our business mainly focus on the distribution of electronic components. Line cards we deal with include Microchip,ALPS,ROHM,Xilinx,Pulse,ON,Everlight and Freescale. Main products comprise IC,Modules,Potentiometer,IC Socket,Relay,Connector.Our parts cover such applications as commercial,industrial, and automotives areas.

We are looking forward to setting up business relationship with you and hope to provide you with the best service and solution. Let us make a better world for our industry!



Contact us

Tel: +86-755-8981 8866 Fax: +86-755-8427 6832

Email & Skype: info@chipsmall.com Web: www.chipsmall.com

Address: A1208, Overseas Decoration Building, #122 Zhenhua RD., Futian, Shenzhen, China



THIS DRAWING IS UNPUBLISHED. RELEASED FOR PUBLICATION
 © COPYRIGHT - By - ALL RIGHTS RESERVED.

REVISONS		DATE	DWN	APVD
P	LTR	DESCRIPTION		
	A1	REVISED PER ECO-11-004820	11MAR11	RK HMR

SPECIFICATIONS:

MATERIALS:

CASE: THERMOSET.
 ACTUATOR BUTTON: THERMOPLASTIC MSPF-101B: COLOR: BLACK
 MSPF-101C: COLOR: RED.
 MOVING CONTACT: COPPER ALLOY, SILVER PLATE.
 FIXED CONTACT: COPPER ALLOY, SILVER PLATE.
 TERMINALS: COPPER ALLOY, SILVER PLATE.
 TERMINAL SEAL: EPOXY.

ELECTRICAL:

CONTACT RATING: 0.5 AMPS AT 125 VAC.
 INITIAL CONTACT RESISTANCE: 100 MILLIOHMS.
 INSULATION RESISTANCE: 1,000 MEGOHMS MIN.
 DIELECTRIC STRENGTH: 1000V RMS AT SEA LEVEL.
 LIFE EXPECTANCY: 10,000 CYCLES.

MECHANICAL:

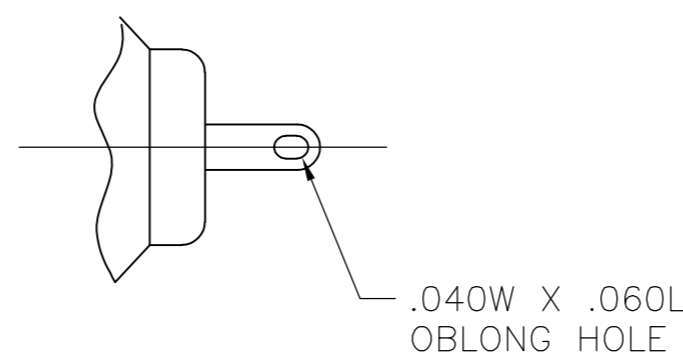
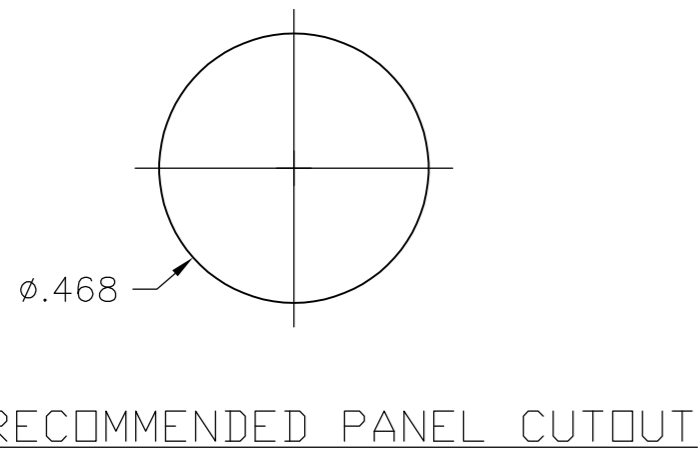
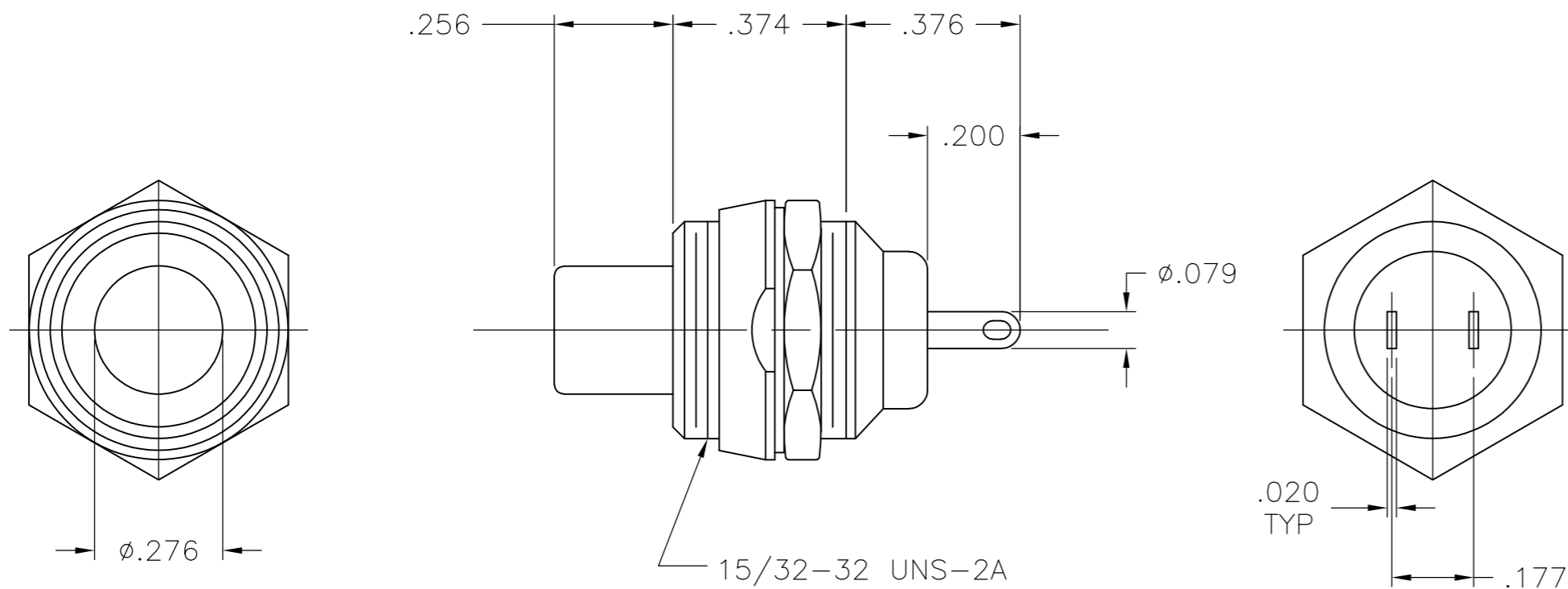
ACTUATION TRAVEL: .098.

ENVIRONMENTAL:

OPERATING TEMPERATURE: -4°F TO +176°F(-20°C TO +80°C).
 STORAGE TEMPERATURE: -4°F TO +176°F(-20°C TO +80°C).

NOTES:

1. INTERPRET DRAWING PER ASME Y14.5M-1994.
2. SUPPLIED WITH MOUNTING HARDWARE:
 (1) WASHER
 (1) N-35 DECORATIVE NUT
 (1) HEX NUT.
3. RECOMMENDED HAND SOLDER TEMP. OF 420C FOR 5 SECONDS.



TERMINAL DETAIL



CIRCUIT DIAGRAM

NORMALLY OPEN	SPST	MSPF-101C	9-1437567-3
NORMALLY CLOSED	SPST	MSPF-101B	8-1437567-8
ACTION	TYPE	MODEL NO.	PART NUMBER

THIS DRAWING IS A CONTROLLED DOCUMENT.		DWN S SCHLEGEL 11JAN2008	TE TE Connectivity	
DIMENSIONS: INCHES		CHK M WILBOURN 1/16/08		
TOLERANCES UNLESS OTHERWISE SPECIFIED:		APVD M WILBOURN 1/16/08	NAME	
0 PLC ± -		PRODUCT SPEC	PUSH BUTTON MOMENTARY (MSPF-101B AND C SERIES)	
1 PLC ± -		APPLICATION SPEC	-	
2 PLC ± -		WEIGHT	SIZE	RESTRICTED TO
3 PLC ± .010		WEIGHT	CAGE CODE	DRAWING NO
4 PLC ± -		WEIGHT	A2 00779	8-1437567-8
ANGLES ± 1°		FINISH	SCALE	SHEET
MATERIAL		FINISH	NTS	1 of 1
-		FINISH	REV	A1
-		FINISH	CUSTOMER DRAWING	