



Chipsmall Limited consists of a professional team with an average of over 10 year of expertise in the distribution of electronic components. Based in Hongkong, we have already established firm and mutual-benefit business relationships with customers from,Europe,America and south Asia,supplying obsolete and hard-to-find components to meet their specific needs.

With the principle of "Quality Parts,Customers Priority,Honest Operation,and Considerate Service",our business mainly focus on the distribution of electronic components. Line cards we deal with include Microchip,ALPS,ROHM,Xilinx,Pulse,ON,Everlight and Freescale. Main products comprise IC,Modules,Potentiometer,IC Socket,Relay,Connector.Our parts cover such applications as commercial,industrial, and automotives areas.

We are looking forward to setting up business relationship with you and hope to provide you with the best service and solution. Let us make a better world for our industry!



## Contact us

Tel: +86-755-8981 8866 Fax: +86-755-8427 6832

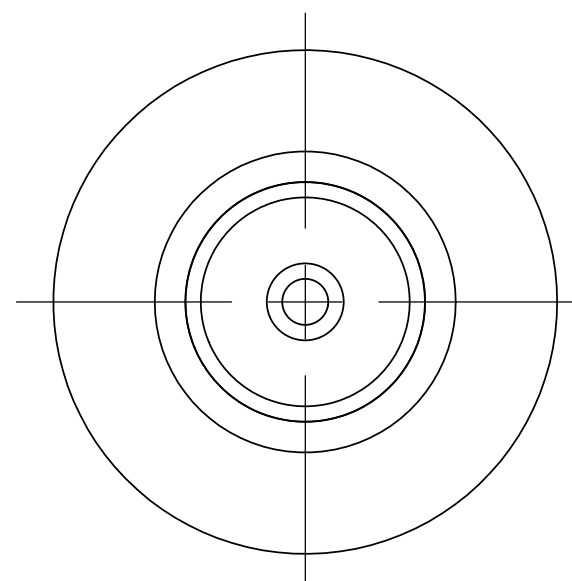
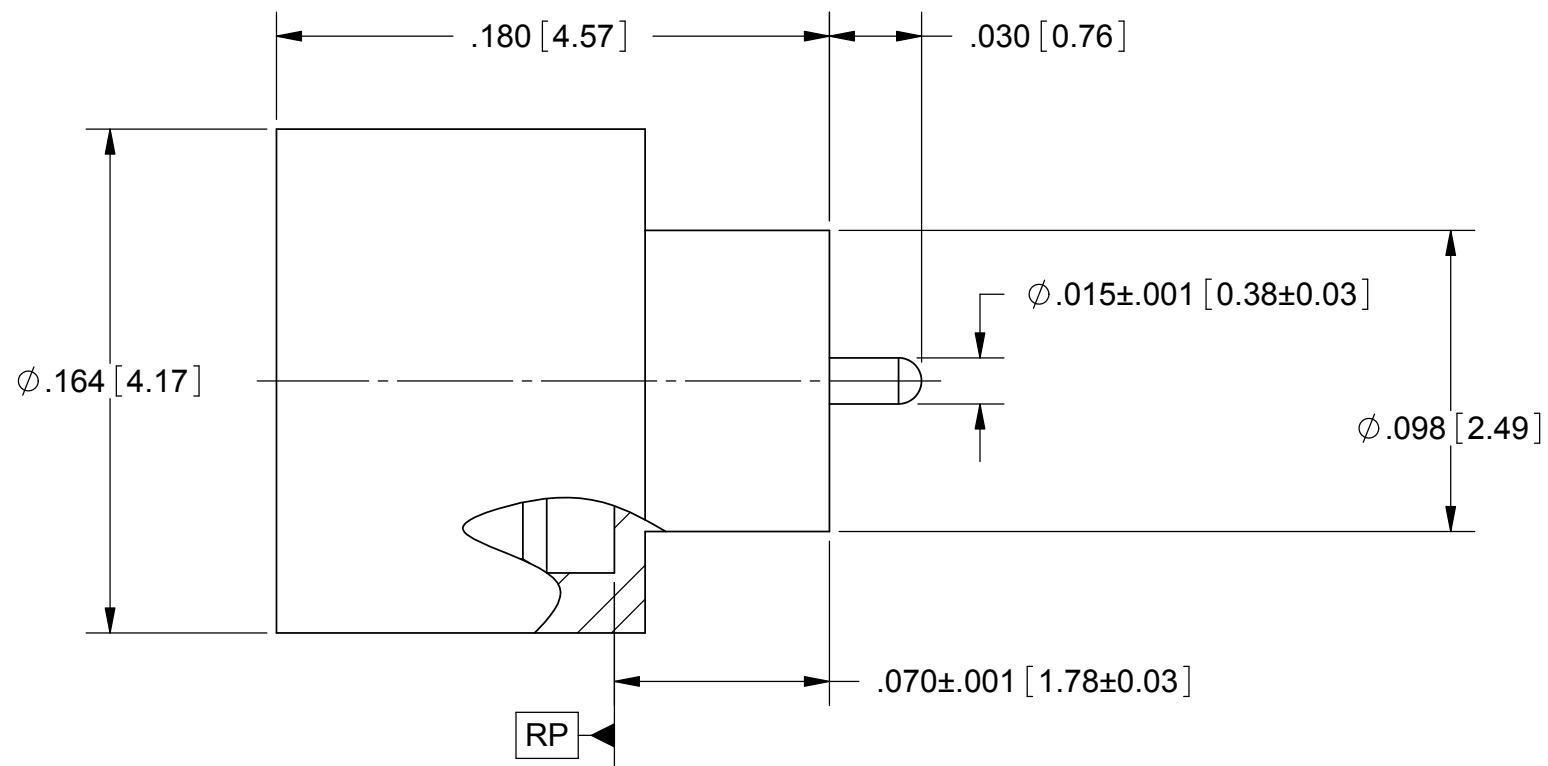
Email & Skype: info@chipsmall.com Web: www.chipsmall.com

Address: A1208, Overseas Decoration Building, #122 Zhenhua RD., Futian, Shenzhen, China



# PRODUCT DATA DRAWING

| REVISION HISTORY |             |       |          |
|------------------|-------------|-------|----------|
| REV              | DESCRIPTION | DATE  | APPROVED |
| -                | DCN 37960   | 01/11 | STW      |
| A                | DCN 38375   | 07/11 | STW      |



**MATERIAL:**

BODY & PIN: KOVAR PER ASTM F15  
 GLASS: 7070

**FINISH:**

BODY & PIN: GOLD PER ASTM B 488, TYPE II, CODE C, CLASS 1.27; OVER NICKEL PER AMS-QQ-N-290, CLASS 1, .00005" MIN.

**PERFORMANCE:**

IMPEDANCE: 50 OHMS  
 FREQ. RANGE: DC TO 26.5 GHz  
 VSWR: 1.25:1 DC TO 18.0 GHz  
 1.35:1 DC TO 26.5 GHz  
 DWV: 500 VRMS  
 OPERATING TEMP.: -55°C TO +165°C  
 INSUL. RES.: 5000 MEGOHMS

|   |  |   |   |
|---|--|---|---|
| MATERIAL: SEE NOTES   | DIMENSIONS ARE IN INCHES TOLERANCES:<br>FRACTIONAL: ±1/64 ANGULAR: X° ±1'0"<br>X'X' ±15' | UNLESS OTHERWISE SPECIFIED<br>1) ALL DIMENSIONS ARE IN INCHES (MILLIMETERS)<br>2) ALL DIMENSIONS ARE AFTER PLATING.<br>3) BREAK CORNERS & EDGES .005 R. MAX.<br>4) CHAM. 1ST & LAST THREADS.<br>5) SURFACE ROUGHNESS 63-MIL-STD-10.<br>6) DIA.'S ON COMMON CENTERS TO BE CONCENTRIC WITHIN .005 T.I.R.<br>7) REMOVE ALL BURRS | <b>SV Microwave, Inc.</b><br>2400 Centrepark West Drive, Suite 100<br>West Palm Beach, FL 33409 |
| FINISH: SEE NOTES   | DECIMAL: X ±.030<br>.XX ±.010<br>.XXX ±.005  | INTERPRET DIMENSIONS AND TOLERANCES PER ASME Y14.5M - 1994  | TITLE: SMP MALE SB HERMETIC SHROUD  |
| SURFACE AREA: N/A   | THIRD ANGLE PROJECTION   | DRAWN: FED 01/18/11   | SIZE: B CAGE CODE: 95077 DWG. NO.: 1211-6043  |
| PROPRIETARY<br>THE INFORMATION CONTAINED IN THIS DRAWING IS THE SOLE PROPERTY OF SV MICROWAVE, INC. ANY REPRODUCTION IN PART OR AS A WHOLE WITHOUT THE WRITTEN PERMISSION OF SV MICROWAVE, INC IS PROHIBITED. |  | CHECKED: STW 01/18/11<br>APPROVED: STW 01/18/11   | SCALE: 16:1 SHEET 1 OF 1  |