



Chipsmall Limited consists of a professional team with an average of over 10 year of expertise in the distribution of electronic components. Based in Hongkong, we have already established firm and mutual-benefit business relationships with customers from,Europe,America and south Asia,supplying obsolete and hard-to-find components to meet their specific needs.

With the principle of “Quality Parts,Customers Priority,Honest Operation,and Considerate Service”,our business mainly focus on the distribution of electronic components. Line cards we deal with include Microchip,ALPS,ROHM,Xilinx,Pulse,ON,Everlight and Freescale. Main products comprise IC,Modules,Potentiometer,IC Socket,Relay,Connector.Our parts cover such applications as commercial,industrial, and automotives areas.

We are looking forward to setting up business relationship with you and hope to provide you with the best service and solution. Let us make a better world for our industry!



Contact us

Tel: +86-755-8981 8866 Fax: +86-755-8427 6832

Email & Skype: info@chipsmall.com Web: www.chipsmall.com

Address: A1208, Overseas Decoration Building, #122 Zhenhua RD., Futian, Shenzhen, China



MAGNASPHERE MSS -XXS & -K SERIES INSTALLATION INSTRUCTIONS: Surface Mount Contacts

Required Tools and Components

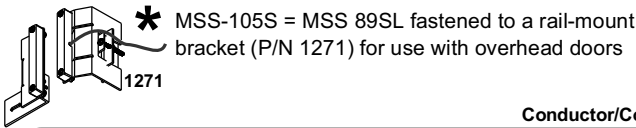
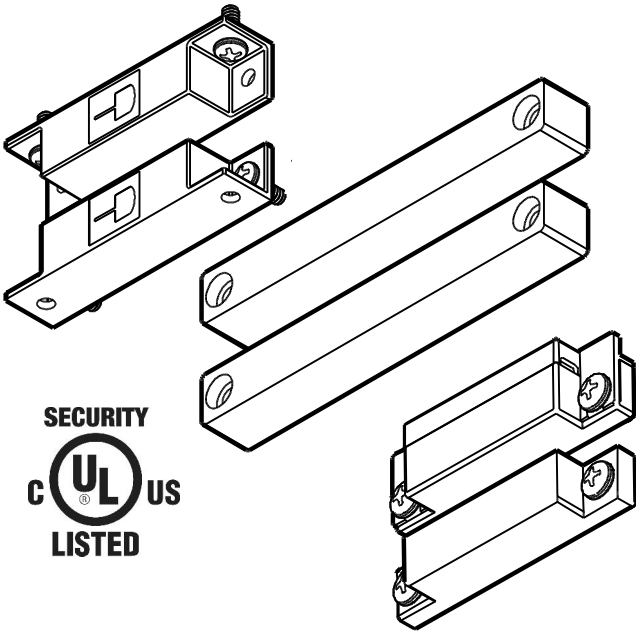
Provided by Manufacturer (per module set)

- 1 MSS switch module
- 1 MSS magnet module

Provided by Installer

- Hand Tools
- Fasteners
- Circuit Tester

MSS -XXS, -K SERIES



Specifications

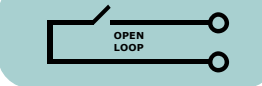
Max Current: 0.25 A Resistive

Max Voltage: 30 VDC

Max Power: .25 W Resistive

The Magnasphere MSS-Concealed series is intended to be connected to a UL Listed compatible control panel for US applications and a ULC Listed compatible control panel for Canadian applications.

CONTACT STATE SHOWN WITH MAGNET IN PLACE



NOMENCLATURE GUIDE

Surface Mount

MSS - # # S X

Size Class

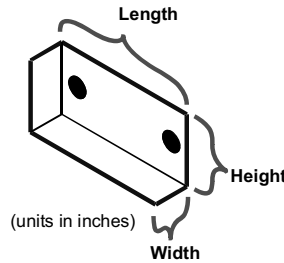
12" Wire Leads (default, if blank),
Terminals, 18" Armored Leads

or

MSS - K # # X

K = See Specification for

this distinct model



Model	Max Gap	Length	Width	Height	Conductor
MSS-41SL	.50	2.00	.38	.38	L
MSS-63S	.50	2.50	.55	.55	L
MSS-K22	.50	2.50	.50	.50	T
MSS-K22S	.50	2.50	.50	.50	J
MSS-53ST	.50	2.50	.50	.50	T
MSS-89SL	.50	4.00	.50	.50	J
MSS-89ST	.50	4.00	.50	.50	T
MSS-89SA	.25	3.50	1.25	.63	A
MSS-105S *	.50	4.00	.50	.50	J

Conductor/Connection Key: L = 12" Leads, J = 12" Leads with Jacket, T = Screw Terminals, A = 18" Armored Leads

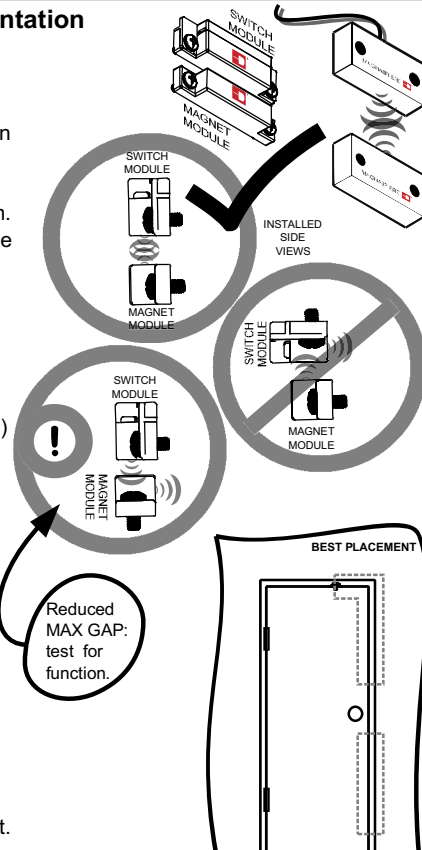
Installation Plan & Switch Orientation

The MSS -XXS/-K should be mounted close to the latch side of the door for optimal performance; Up to 15" (38cm) from the doorknob/door-latch edge is recommended in order to meet UL 681 requirements: contact shall be installed so door cannot be opened more than 2 inches without causing an alarm. See table for operating gaps. Ensure that the modules are well aligned. Before drilling, a careful layout of the site is recommended in order to achieve module alignment and secure routing of wires. Magnasphere uses rare-earth magnet materials which do not require isolation from steel surfaces. (Spacers may be needed only for alignment.)

Test and wire the switch. Magnasphere contacts have a directional, restricted sense zone for enhanced security. Check that the installation is properly oriented, bringing the magnet to rest within the contact's secure sense zone.

Fasten the switch modules to the frame and door. Test the operation of the installed switch.

Note: some models have multiple wire egresses and multiple mounting hole sets. One pair of fasteners per module is sufficient.



OPEN-LOOP WIRING SCHEMES

Open-Loop schemes "wire like fire" systems. Check your alarm panel's documentation for settings

