



Chipsmall Limited consists of a professional team with an average of over 10 year of expertise in the distribution of electronic components. Based in Hongkong, we have already established firm and mutual-benefit business relationships with customers from,Europe,America and south Asia,supplying obsolete and hard-to-find components to meet their specific needs.

With the principle of “Quality Parts,Customers Priority,Honest Operation,and Considerate Service”,our business mainly focus on the distribution of electronic components. Line cards we deal with include Microchip,ALPS,ROHM,Xilinx,Pulse,ON,Everlight and Freescale. Main products comprise IC,Modules,Potentiometer,IC Socket,Relay,Connector.Our parts cover such applications as commercial,industrial, and automotives areas.

We are looking forward to setting up business relationship with you and hope to provide you with the best service and solution. Let us make a better world for our industry!



## Contact us

Tel: +86-755-8981 8866 Fax: +86-755-8427 6832

Email & Skype: info@chipsmall.com Web: www.chipsmall.com

Address: A1208, Overseas Decoration Building, #122 Zhenhua RD., Futian, Shenzhen, China



# MAGNASPHERE® MSS-300



MAGNASPHERE introduces the **MSS-300 Series, Recessed and Surface-Mount Contacts** that offer two or three separate contact outputs

- Ideal for installations where a single contact is desired for use with multiple independent systems (e.g. IDS and ACS) and Home Automation applications

## MAGNASPHERE MSS-300 Technology

In response to a request from the U.S. Department of State, MAGNASPHERE has introduced both a 1" concealed and a Surface Mount version of multiple switch contacts for non-high security installations. Each style offers individual contacts made with Magnasphere BMS switch technology in two and three contact configurations and both Open and Closed Loop variations, depending on installation requirements. The MSS-300 Series provides a single switch solution for monitoring multiple systems (Intrusion Detection and Access Control) and for Home Automation applications.

Older style security contacts have been made with a decades-old technology call the Reed switch, which have three inherent weaknesses when used as security contacts. They are (1) Easily defeated with magnets (2) Prone to permanent contact weld failure (lightning, power surges) and (3) Fragile (made mostly of glass, they are subject to damage even when packaged as security contacts).

The unique Magnasphere switch used in these devices renders the MSS-300 series products virtually unbreakable and highly resistant to permanent contact welding and outsider magnetic defeat.

- Multiple (2 or 3) individual contact outputs
- Available in closed and open loop configurations
- Available in 1" diameter low profile recessed, and surface-mount, armored cable versions
- Compatible with all control panels
- American-made with patented MAGNASPHERE switch technology
- Resists permanent contact welding (power surges, stun guns, lightning)
- Highest level of security for every installation

### **PATENTED DESIGN**

#5977873, #RE39731, #6506987, #6303845, #6603378 & Other Patents Pending

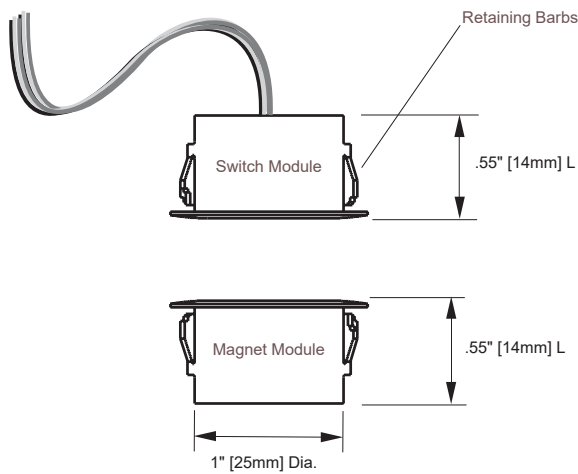


# MAGNASPHERE® MSS-300

## CONSTRUCTION AND TECHNICAL SPECIFICATIONS MSS-3XXC (Concealed / Recessed Contacts)

### MODEL MSS-3XXC

Concealed / Recessed Security Sensor

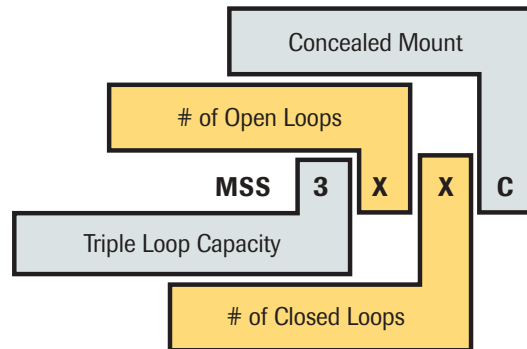


Max Current: 0.25 A Resistive

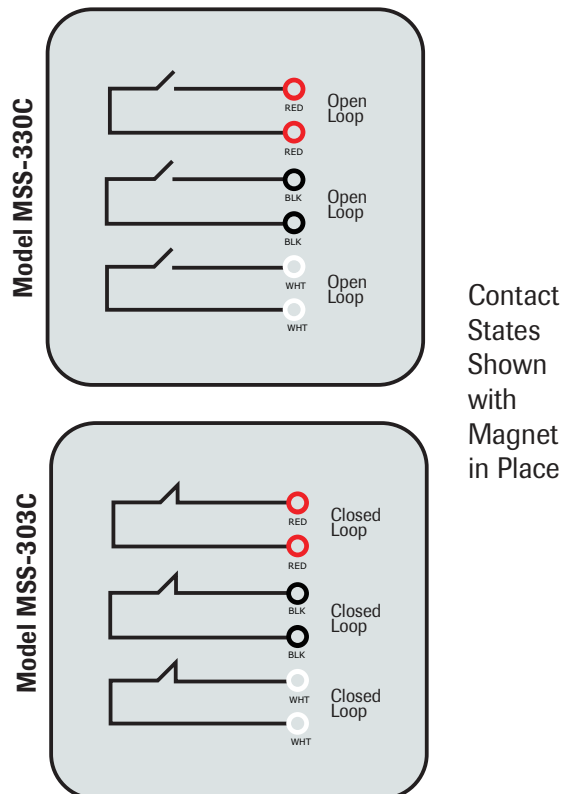
Max Power: 0.25 W Resistive

Max Voltage: 30 VDC

Intended for connection to UL Listed compatible control panels for U.S. applications and a ULC Listed compatible control panel for Canadian applications



### EXAMPLES



MAGNASPHERE® Corp. provides superior performing magnetic contact sensor technology for the residential, commercial, and federal government security markets. The MSS series leading-edge technology aims to set new industry standards for security sensors while providing an affordable and more effective alternative to reed-based security contacts.

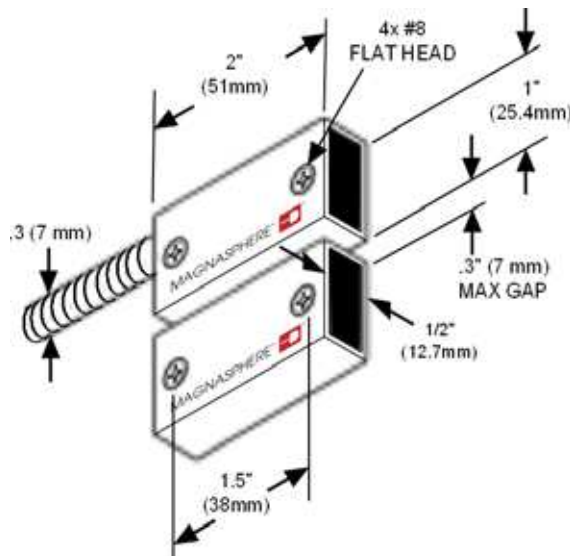
To learn more about the MAGNASPHERE® MSS series visit [www.MAGNASPHERE.com](http://www.MAGNASPHERE.com) or call 262-347-0711.

# MAGNASPHERE® MSS-300

## CONSTRUCTION AND TECHNICAL SPECIFICATIONS MSS-3XXS (Surface-Mount Contacts)

### MODEL MSS-3XXS

Surface-Mounted Security Sensor

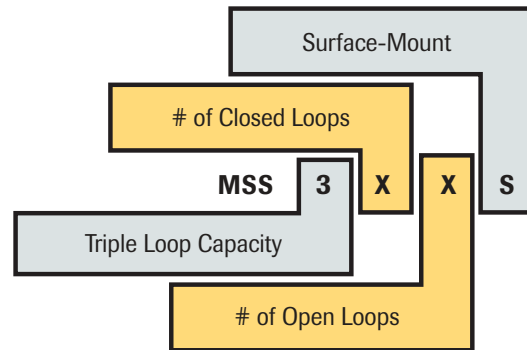


Max Current: 0.25 A Resistive

Max Power: 0.25 W Resistive

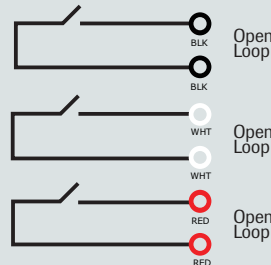
Max Voltage: 30 VDC

Intended for connection to UL Listed compatible control panels for U.S. applications and a ULC Listed compatible control panel for Canadian applications

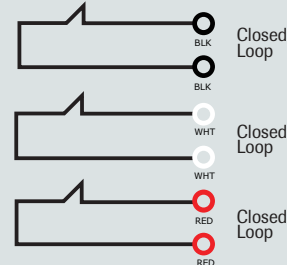


### EXAMPLES

Model MSS-303S



Model MSS-330S

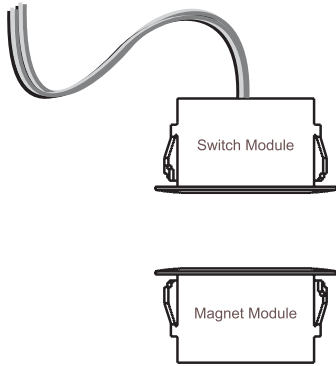


Contact States Shown with Magnet in Place

MAGNASPHERE® Corp. provides superior performing magnetic contact sensor technology for the residential, commercial, and federal government security markets. The MSS series leading-edge technology aims to set new industry standards for security sensors while providing an affordable and more effective alternative to reed-based security contacts.

To learn more about the MAGNASPHERE® MSS series visit [www.MAGNASPHERE.com](http://www.MAGNASPHERE.com) or call 262-347-0711.

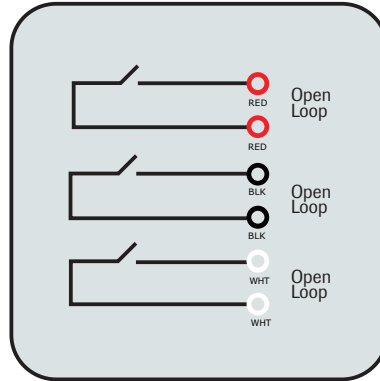
# MAGNASPHERE<sup>®</sup> MSS-300



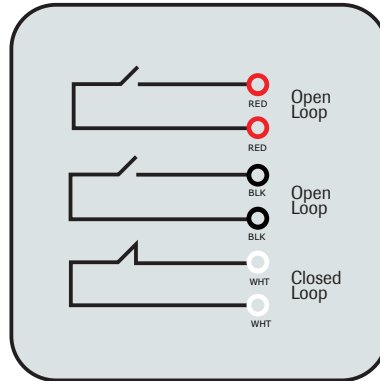
## MSS-3XXC Wiring Schematics

Contact States  
Shown with  
Magnet in Place

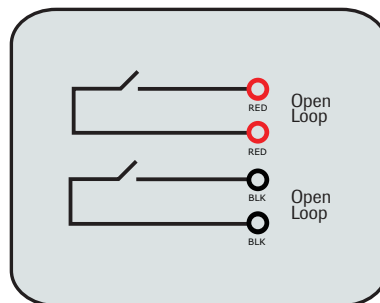
**Model MSS-330C**



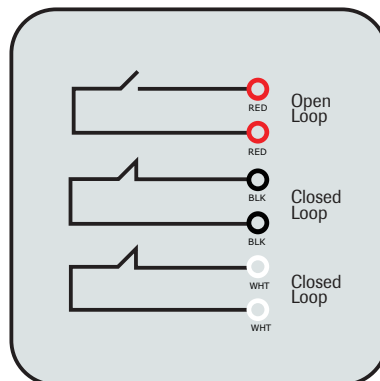
**Model MSS-321C**



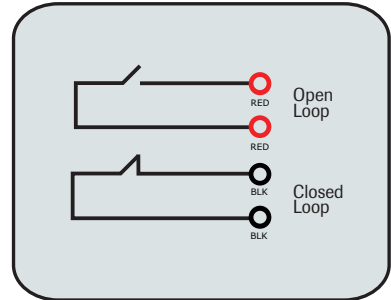
**Model MSS-320C**



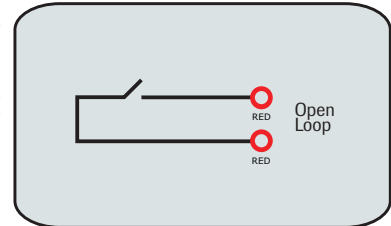
**Model MSS-312C**



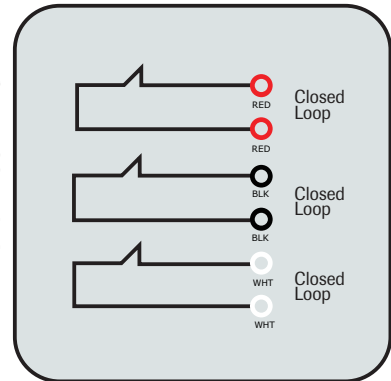
**Model MSS-311C**



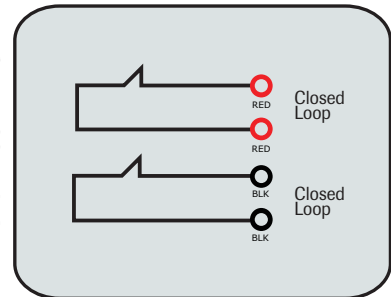
**Model MSS-310C**



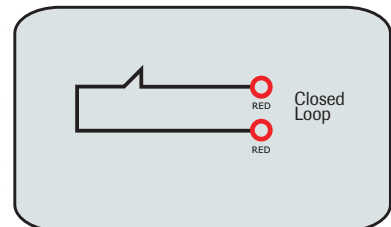
**Model MSS-303C**



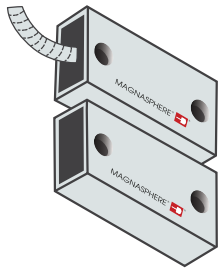
**Model MSS-302C**



**Model MSS-301C**



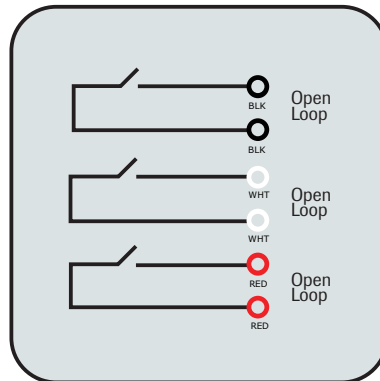
# MAGNASPHERE® MSS-300



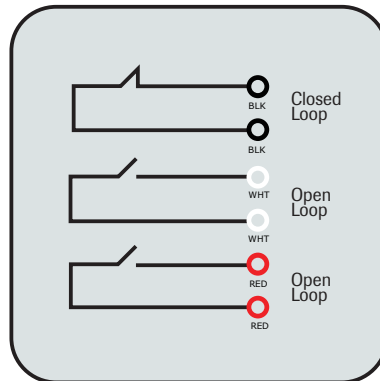
## MSS-3XXS Wiring Schematics

Contact States  
Shown with  
Magnet in Place

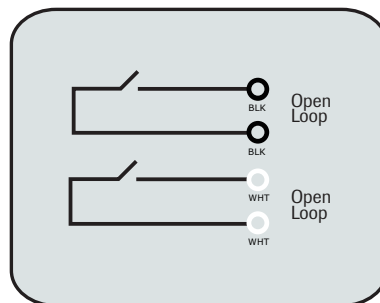
**Model MSS-303S**



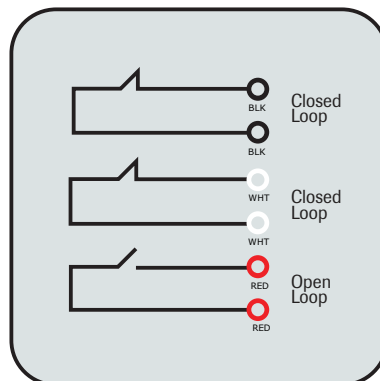
**Model MSS-312S**



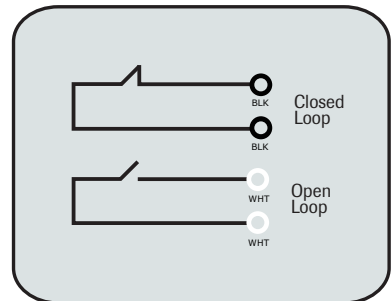
**Model MSS-302S**



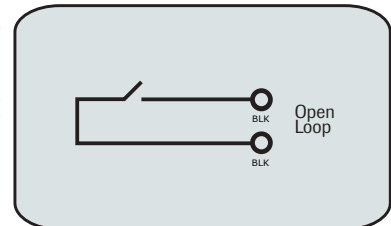
**Model MSS-321S**



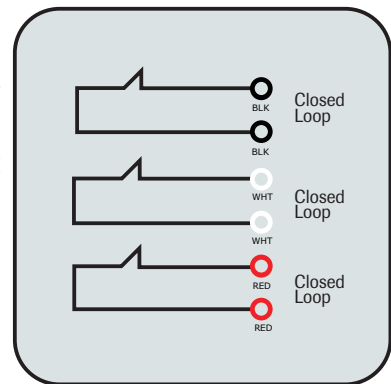
**Model MSS-311S**



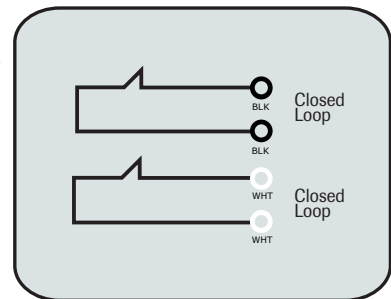
**Model MSS-301S**



**Model MSS-330S**



**Model MSS-320S**



**Model MSS-310S**

