



Chipsmall Limited consists of a professional team with an average of over 10 year of expertise in the distribution of electronic components. Based in Hongkong, we have already established firm and mutual-benefit business relationships with customers from,Europe,America and south Asia,supplying obsolete and hard-to-find components to meet their specific needs.

With the principle of "Quality Parts,Customers Priority,Honest Operation,and Considerate Service",our business mainly focus on the distribution of electronic components. Line cards we deal with include Microchip,ALPS,ROHM,Xilinx,Pulse,ON,Everlight and Freescale. Main products comprise IC,Modules,Potentiometer,IC Socket,Relay,Connector.Our parts cover such applications as commercial,industrial, and automotives areas.

We are looking forward to setting up business relationship with you and hope to provide you with the best service and solution. Let us make a better world for our industry!



Contact us

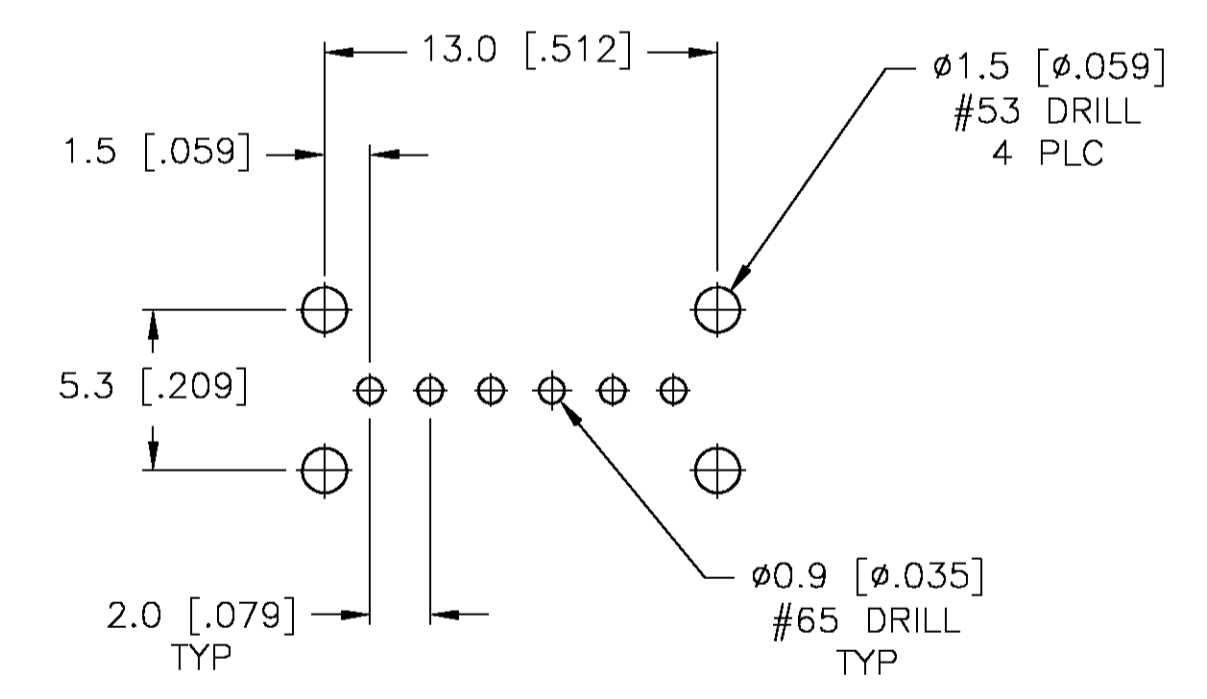
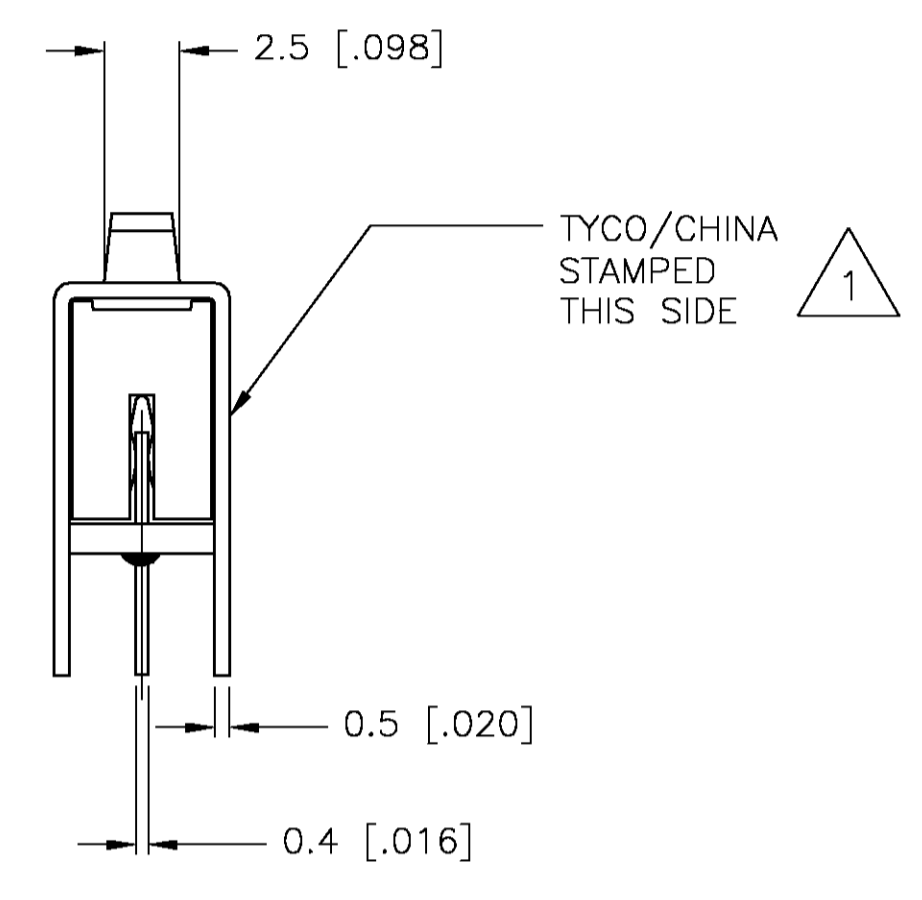
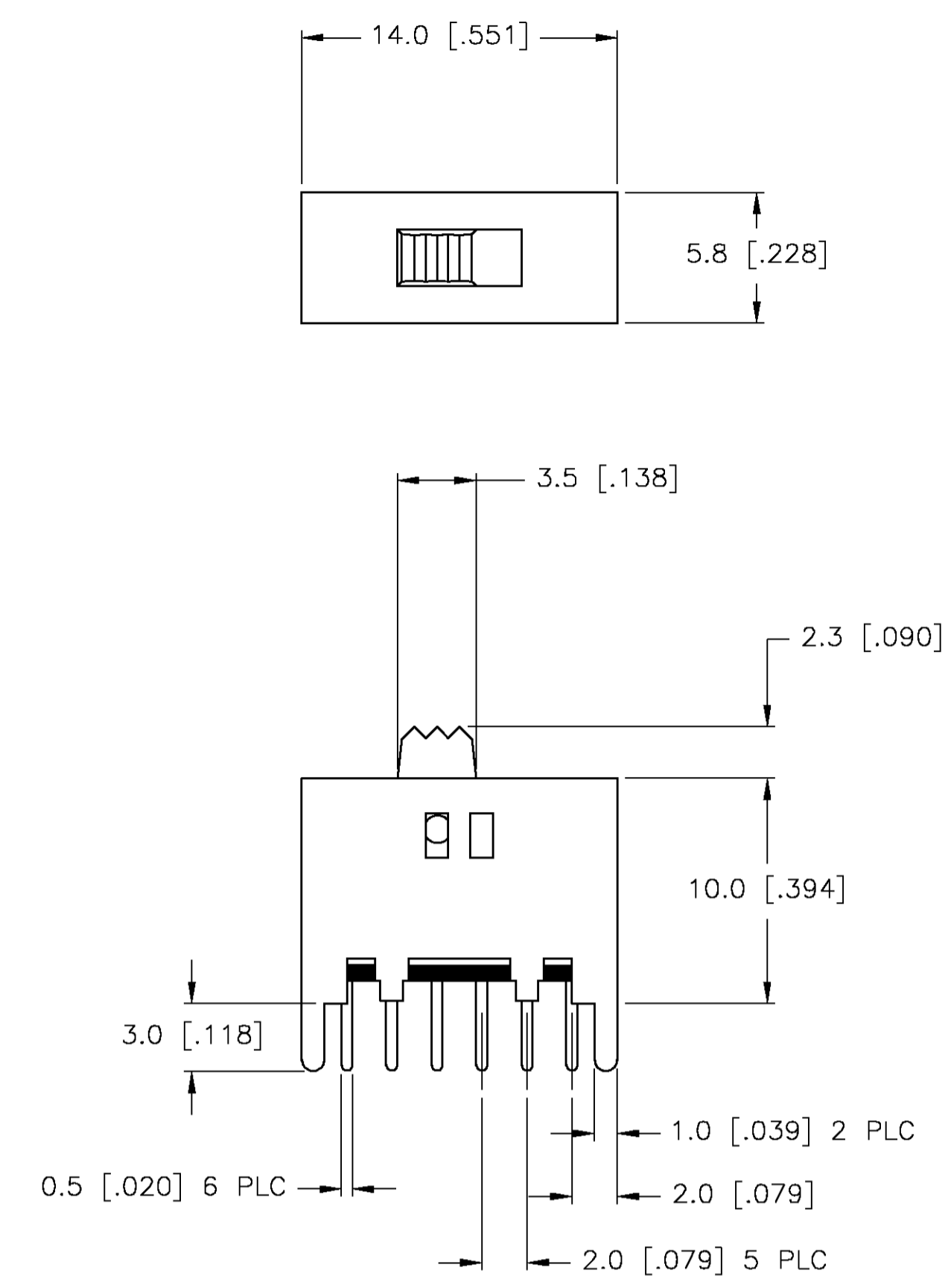
Tel: +86-755-8981 8866 Fax: +86-755-8427 6832

Email & Skype: info@chipsmall.com Web: www.chipsmall.com

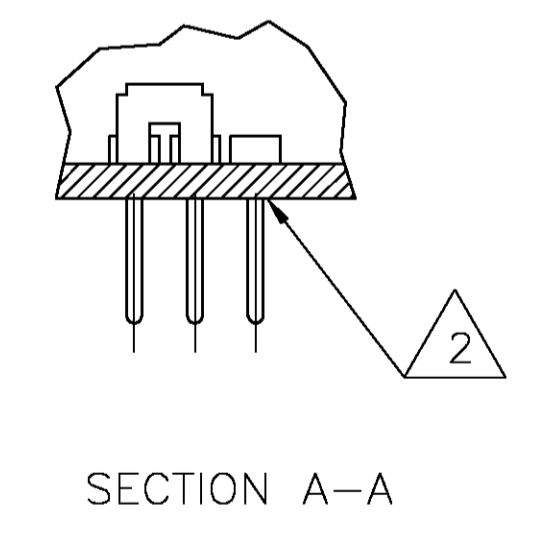
Address: A1208, Overseas Decoration Building, #122 Zhenhua RD., Futian, Shenzhen, China



LOC		DIST		REVISIONS			
P	LR	REV	PER	DESCRIPTION	DATE	DWN	APVD
B				REV PER 063C-0490-03	30JAN04	RB	MS



RECOMMENDED BOARD LAYOUT



SECTION A-A

Specifications:
 Make-Before-Break

Material:
 Frame- Steel, Nickel Plate
 Actuator- POM UL94HB, Black
 Moving Contact- Copper Alloy, Silver Clad Plate
 Terminal- Copper Alloy, Silver or Gold over Nickel Plate
 Ball- Steel
 Coil Spring- Galvanized Coil Spring
 Terminal Seal- Epoxy
 Board- Phenolic, UL94HB, Natural

Electrical:
 Contact Rating- 300mA@125VAC (Silver), .4VA@20VDC (Gold) or peak AC, Per EIA-448, Method 6
 Initial Contact resistance- 20 milliohms max, Per EIA-364-23B, each position
 Insulation Resistance- 1000 Megohm min. Per EIA-364-21C each position
 Dielectric strength- 500 Volt AC, Per EIA-364-20B, Condition 1, each position.

Mechanical:
 Actuation force- 100 to 600 Grams
 Actuation Travel- 2.0 [0.079]
 Life Expectancy- 15,000 cycles, Per EIA-448, Method 8 and 9
 Vibration- Per EIA 364-28D, Condition VII, Level E
 Mechanical Shock- Per EIA-364-27B, Condition A

Environmental:
 Operating Temperature- -20 to + 85 degrees C, Per EIA 448, Method 10
 Storage Temperature- -40 to + 100 degrees C
 Humidity and Temperature Cycling- Per EIA-364-31B, Method III
 Temperature Life- Per EIA-364-17B, Method B, Temperature Test Condition 3, Time Condition B
 Thermal Shock- Per EIA-364-32C, -25 to 100 degrees C
 Solderability- Per EIA-364-52, Class 2, Category 1, 95% Minimum coverage
 Resistance to Solder Heat- Per EIA-364-56A, Procedure 3, Condition B
 Mixed Flowing Gas- Per EIA-364-65A, Class IIIA, 20 Days (Gold Plate only)

- 1 Mark per 202-37 specification, TYCO/CHINA minimum requirement.
- 2 Anti Solder Wick Seal at Terminal to Board Interface.

6-1437576-0	MSS-2200G	GOLD	2 TO 1 5 TO 4	2 TO 3 5 TO 6
5-1437576-9	MSS2200	SILVER	2 TO 1 5 TO 4	2 TO 3 5 TO 6
TYCO PART NO.	T&B PART NO.	PLATING	TYCO 123456	TYCO 123456

TERMINALS CONNECTED WHEN SLIDE IS IN POSITION SHOWN.

THIS DRAWING IS A CONTROLLED DOCUMENT. DIM R BROWN 20JAN04
 CHK M SARVER 20JAN04
 APVD M SARVER 20JAN04
 PRODUCT SPEC: SLIDE SWITCH, MSS 1200 SERIES, VERTICAL

DIMENSIONS:	TOLERANCES UNLESS OTHERWISE SPECIFIED:	SIZE	CODE	DRAWING NO.	RESTRICTED TO
MM	0 PLC ± - 1 PLC ± 0.3 [0.12] 2 PLC ± - 3 PLC ± - 4 PLC ± - ANGLES ± -	A1	00779	5-1437576-9	RESTRICTED TO

MATERIAL: FINISH: WEIGHT: CUSTOMER DRAWING
 SCALE: 4:1 SHEET 1 OF 1 REV B