



Chipsmall Limited consists of a professional team with an average of over 10 year of expertise in the distribution of electronic components. Based in Hongkong, we have already established firm and mutual-benefit business relationships with customers from,Europe,America and south Asia,supplying obsolete and hard-to-find components to meet their specific needs.

With the principle of “Quality Parts,Customers Priority,Honest Operation,and Considerate Service”,our business mainly focus on the distribution of electronic components. Line cards we deal with include Microchip,ALPS,ROHM,Xilinx,Pulse,ON,Everlight and Freescale. Main products comprise IC,Modules,Potentiometer,IC Socket,Relay,Connector.Our parts cover such applications as commercial,industrial, and automotives areas.

We are looking forward to setting up business relationship with you and hope to provide you with the best service and solution. Let us make a better world for our industry!



Contact us

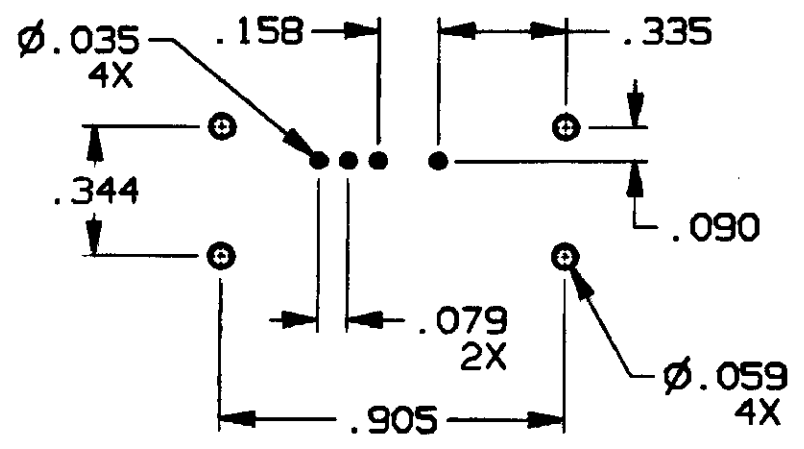
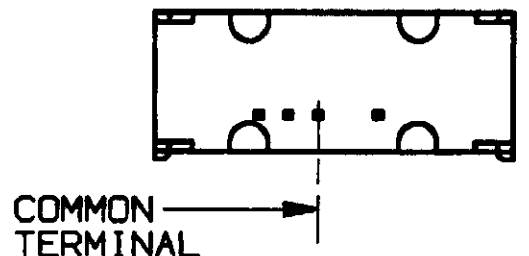
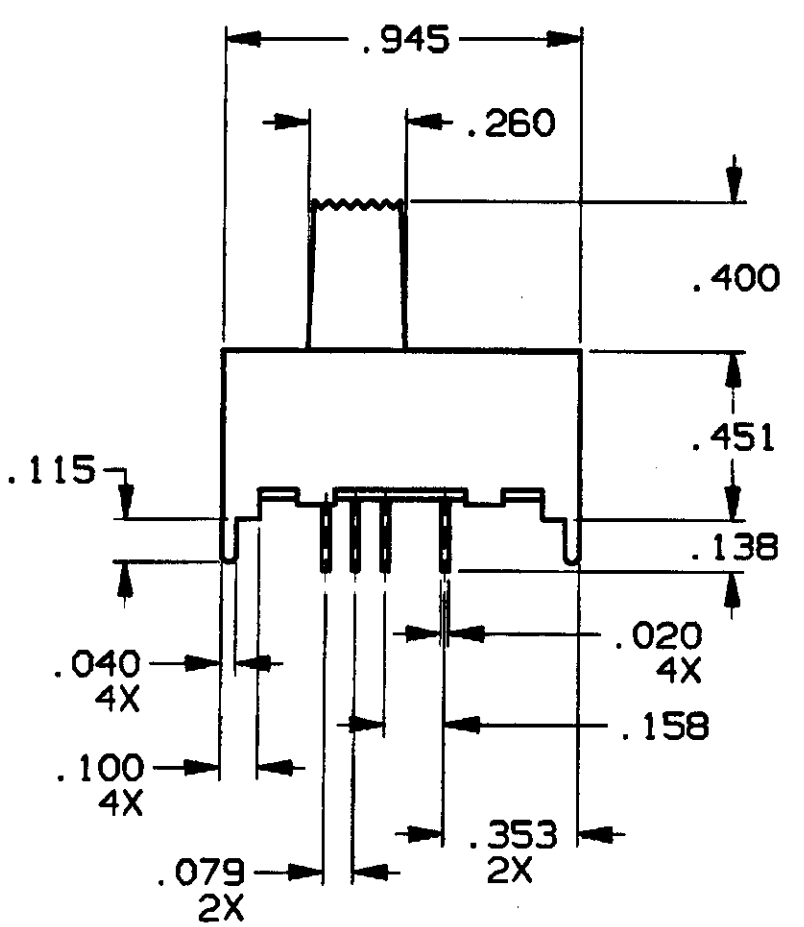
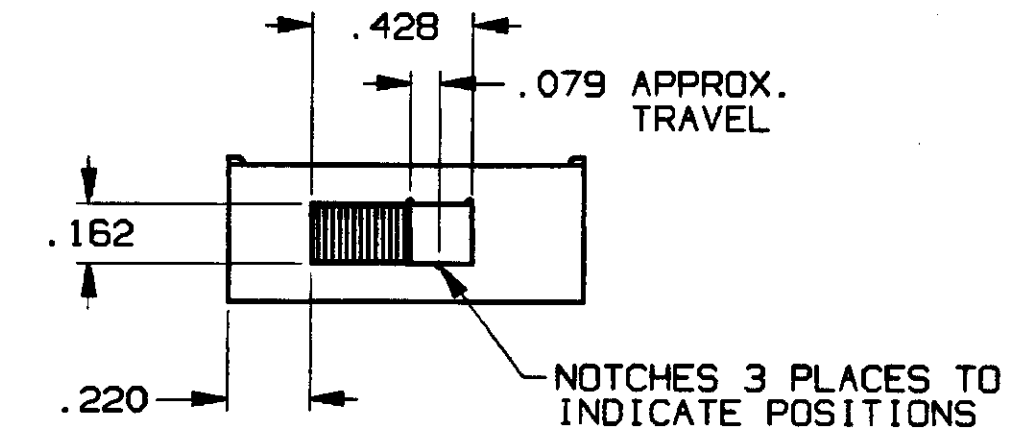
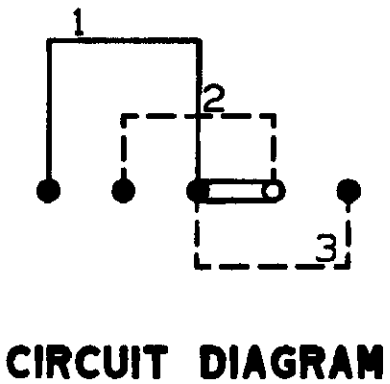
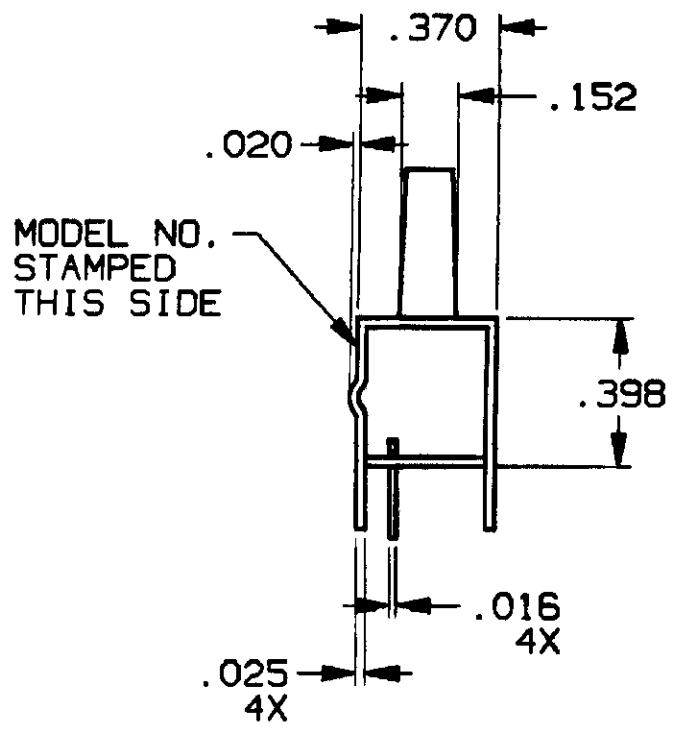
Tel: +86-755-8981 8866 Fax: +86-755-8427 6832

Email & Skype: info@chipsmall.com Web: www.chipsmall.com

Address: A1208, Overseas Decoration Building, #122 Zhenhua RD., Futian, Shenzhen, China



CONVERSION CHART			
INCH	MM	INCH	MM
.002	0.05	.905	22.99
.015	0.38	.945	24.00
.016	0.41		
.020	0.51		
.025	0.61		
.035	0.89		
.040	1.01		
.059	1.50		
.079	2.01		
.090	2.29		
.100	2.54		
.115	2.92		
.138	3.51		
.152	3.86		
.158	4.01		
.162	4.11		
.220	5.59		
.260	6.60		
.335	8.51		
.344	8.74		
.370	9.40		
.398	10.10		
.400	10.16		
.428	10.90		
.451	11.46		



RECOMMENDED HOLE LAYOUT
TOLERANCE ±.002 UNLESS OTHERWISE NOTED

SPECIFICATIONS:

MATERIALS:
CASE: COLD ROLLED STEEL.
ACTUATOR: POLYESTER, UL94V-0.
MOVING CONTACT: COPPER ALLOY, SEE CHART FOR PLATING.
TERMINAL/FIXED CONTACT: COPPER ALLOY, SEE CHART FOR PLATING.
TERMINAL SEAL: EPOXY.

ELECTRICAL:
CONTACT RATING: SILVER: 300mA @ 125 VAC
GOLD: 0.4 VA MAX. @ 20 VDC OR PEAK AC.
INITIAL CONTACT RESISTANCE: 30 MILLIOHMS MAX.
INSULATION RESISTANCE: 1.00 MEGOHMS MIN.
DIELECTRIC STRENGTH: 500 VOLTS RMS @ SEA LEVEL.
LIFE EXPECTANCY: 15,000 CYCLES.
CONTACT TIMING: MAKE BEFORE BREAK.

MECHANICAL:
ACTUATION FORCE: 600 ±300 GRAMS.
ACTUATION TRAVEL: .079 IN.

ENVIRONMENTAL:
OPERATING TEMPERATURE: -4°F TO +185°F (-20°C TO +85°C).
STORAGE TEMPERATURE: -40°F TO +212°F (-40°C TO +100°C).

NOTES:

1. INTERPRET DRAWING PER ANSI Y14.5M-1982.

MODEL NO.	CONTACT PLATING
MSSA-1350	SILVER OVER NICKEL
MSSA-1350G	GOLD OVER NICKEL

AUGAT D/N 40238-SD

THIS IS A C.A.D. GENERATED DRAWING. DO NOT MAKE MANUAL REVISIONS TO MASTER.

CUSTOMER DRAWING SPECIFICATIONS ARE SUBJECT TO CHANGES WITHOUT NOTICE				
THIRD ANGLE PROJECTION TOLERANCES (EXCEPT AS NOTED) ANGULAR = ±1° DECIMAL .XX = ± DECIMAL .XXX = ±.015 DECIMAL .XXXX = ± TYCO CONFIDENTIAL This document contains information which is the exclusive property of TYCO ELECTRONICS Distribution, reproduction or use by others is not permitted without the expressed written consent of Augat Inc.	UNLESS OTHERWISE SPECIFIED DIMENSIONS ARE IN INCHES DO NOT SCALE PRINT	ORIGINAL DATE OF DRAWING: 9-20-96	TYCO ELECTRONICS TITLE: CUSTOMER DRAWING SLIDE SWITCH (MSSA 1350 & 1350G) DWG. NO. 3-1437580-3 PRODUCT CODE: CS2 SCALE: SHEET 1 OF 1	
	MATERIAL: SEE SPECIFICATIONS	DRAWN: S.KIRCORIAN DATE: 9-20-96		REV. A
	FINISH: SEE SPECIFICATIONS	CHECKED: DATE:		
		APPROVED: <i>S. Kircorian</i> DATE: 12/2/96		
	CODE IDENT. NO. 91506	DWG. SIZE C		
	NEXT ASSY:			

REV	A
REVISIONS	0G3C-0173-02