



Chipsmall Limited consists of a professional team with an average of over 10 year of expertise in the distribution of electronic components. Based in Hongkong, we have already established firm and mutual-benefit business relationships with customers from,Europe,America and south Asia,supplying obsolete and hard-to-find components to meet their specific needs.

With the principle of “Quality Parts,Customers Priority,Honest Operation,and Considerate Service”,our business mainly focus on the distribution of electronic components. Line cards we deal with include Microchip,ALPS,ROHM,Xilinx,Pulse,ON,Everlight and Freescale. Main products comprise IC,Modules,Potentiometer,IC Socket,Relay,Connector.Our parts cover such applications as commercial,industrial, and automotives areas.

We are looking forward to setting up business relationship with you and hope to provide you with the best service and solution. Let us make a better world for our industry!



Contact us

Tel: +86-755-8981 8866 Fax: +86-755-8427 6832

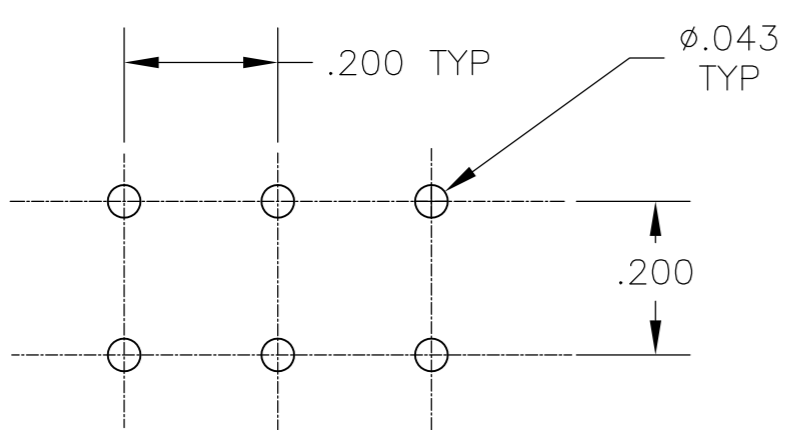
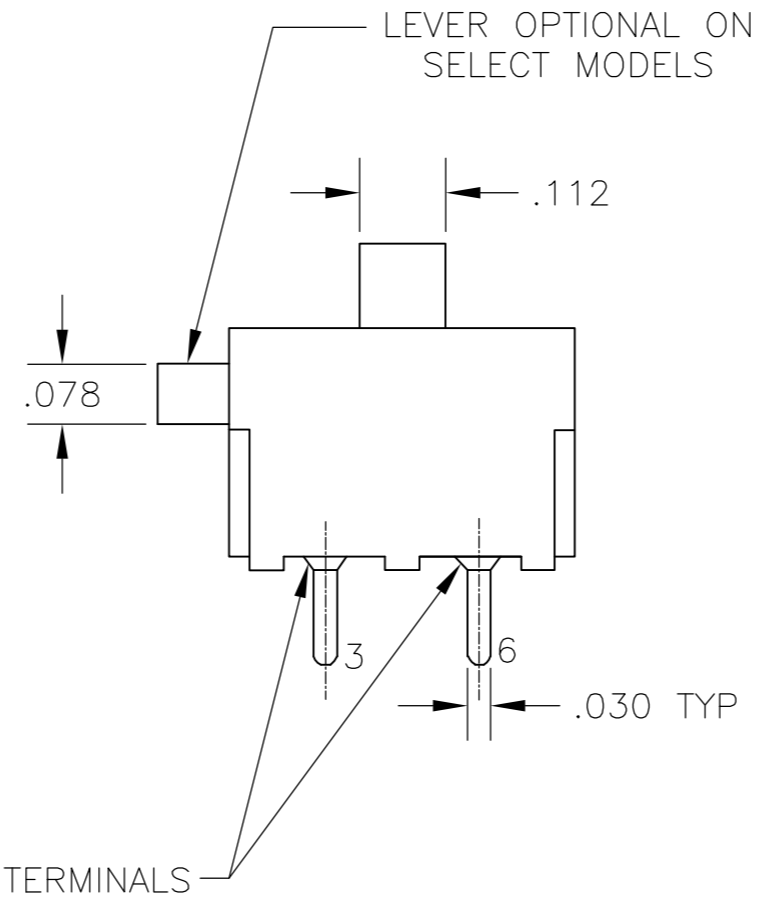
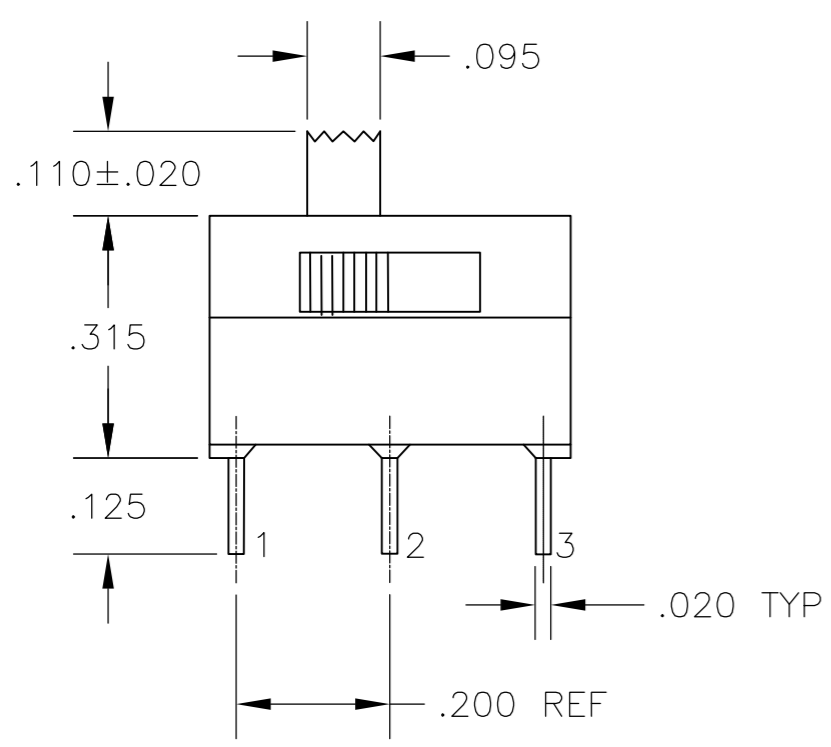
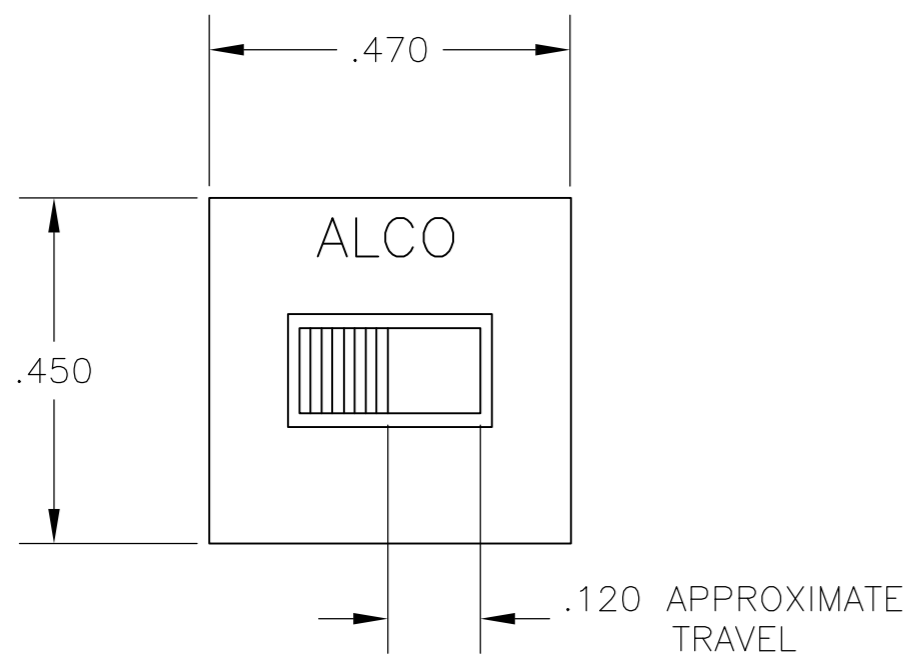
Email & Skype: info@chipsmall.com Web: www.chipsmall.com

Address: A1208, Overseas Decoration Building, #122 Zhenhua RD., Futian, Shenzhen, China



THIS DRAWING IS UNPUBLISHED. RELEASED FOR PUBLICATION
 © COPYRIGHT - By - ALL RIGHTS RESERVED.

LOC		DIST		REVISIONS			
P	LTR	DESCRIPTION	DATE	DWN	APVD		
	C2	REVISED PER ECO-11-004917	11MAR11	RK	HMR		



RECOMMENDED HOLE LAYOUT
 TOLERANCE ±.002 UNLESS OTHERWISE NOTED

SPECIFICATIONS:

BREAK-BEFORE-MAKE

MATERIAL:

- SLIDER, GLASS FILLED NYLON, UL94-HB, BLACK.
- BASE, GLASS FILLED PBT, BLUE.
- COVER, GLASS FILLED PBT, BLUE.
- SLIDE PLATE, STAINLESS STEEL.
- ACTUATOR, PPS, BLACK.
- ROCKER CONTACT(GOLD), COPPER ALLOY, GOLD OVER NICKEL PLATING.
- ROCKER CONTACT(SILVER), COPPER ALLOY PLUS COINED SILVER.
- FIXED CONTACT/TERMINAL (GOLD), COPPER ALLOY, GOLD OVER NICKEL PLATE.
- FIXED CONTACT/TERMINAL(SILVER), COPPER ALLOY PLUS COINED SILVER, GOLD OVER NICKEL PLATE.

ELECTRICAL:

- CONTACT RATING(SILVER)-3A@115V AC OR 1.5A@230V AC
- CONTACT RATING(GOLD)-.4VA MAX@20V DC OR PEAK AC
- INITIAL CONTACT RESISTANCE-20 MILLIOHMS MAX.
- INSULATION RESISTANCE-1,000 MEGOHMS MIN @ 500V DC
- DIELECTRIC STRENGTH- 500 V RMS @ SEA LEVEL.
- LIFE EXPECTANCY- 30,000 OPERATIONS.

MECHANICAL:

- OPERATING FORCE- 600+/-300 GRAMS.
- TRAVEL-.120

ENVIRONMENTAL:

- OPERATING TEMPERATURE- -20°C TO +65°C
- STORAGE TEMPERATURE- -40°C TO +100°C
- SOLDER HEAT RESISTANCE- PER 109-202 CONDITION B.
- SOLDERABILITY PER EIA 364-52, CLASS 2, CATAGORY 1.

2,1 & 5,4	NONE	2,3 & 5,6	DPDT	SILVER	MSSA214N04	5-1437580-2
2,1 & 5,4	OFF	2,3 & 5,6	DPDT	GOLD	MSSA211PG04	5-1437580-1
2,1 & 5,4	NONE	2,3 & 5,6	DPDT	GOLD	MSSA211NGRA04	5-1437580-0
2,1 & 5,4	NONE	2,3 & 5,6	DPDT	GOLD	MSSA211NG04	4-1437580-9
			TYPE	PLATING	ALCO PART NO.	PART NO.

THIS DRAWING IS A CONTROLLED DOCUMENT.		DWN R BROWN 20APR04	TE Connectivity			
DIMENSIONS: INCHES		CHK M SARVER 20APR04				
TOLERANCES UNLESS OTHERWISE SPECIFIED:		APVD M SARVER 20APR04	NAME SLIDE SWITCH, DP (MSS-211 & 214)			
0 PLC ± -		PRODUCT SPEC	SIZE CAGE CODE DRAWING NO RESTRICTED TO			
1 PLC ± -		APPLICATION SPEC	A2 00779 C=4-1437580-9			
2 PLC ± -		WEIGHT -	SCALE 4:1 SHEET 1 of 1 REV C2			
3 PLC ± .010		CUSTOMER DRAWING				
4 PLC ± -						
ANGLES ± 1°						
FINISH -						