



Chipsmall Limited consists of a professional team with an average of over 10 year of expertise in the distribution of electronic components. Based in Hongkong, we have already established firm and mutual-benefit business relationships with customers from,Europe,America and south Asia,supplying obsolete and hard-to-find components to meet their specific needs.

With the principle of “Quality Parts,Customers Priority,Honest Operation,and Considerate Service”,our business mainly focus on the distribution of electronic components. Line cards we deal with include Microchip,ALPS,ROHM,Xilinx,Pulse,ON,Everlight and Freescale. Main products comprise IC,Modules,Potentiometer,IC Socket,Relay,Connector.Our parts cover such applications as commercial,industrial, and automotives areas.

We are looking forward to setting up business relationship with you and hope to provide you with the best service and solution. Let us make a better world for our industry!



Contact us

Tel: +86-755-8981 8866 Fax: +86-755-8427 6832

Email & Skype: info@chipsmall.com Web: www.chipsmall.com

Address: A1208, Overseas Decoration Building, #122 Zhenhua RD., Futian, Shenzhen, China



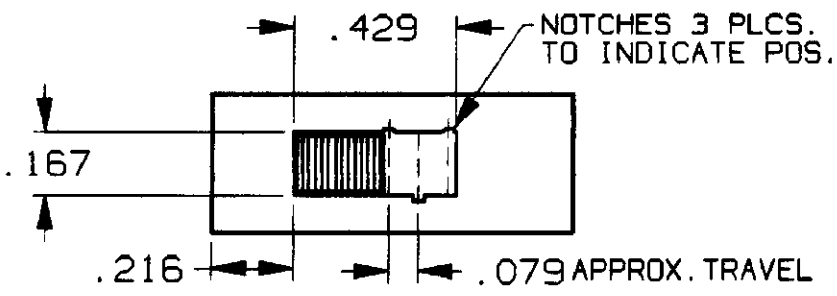
4

3

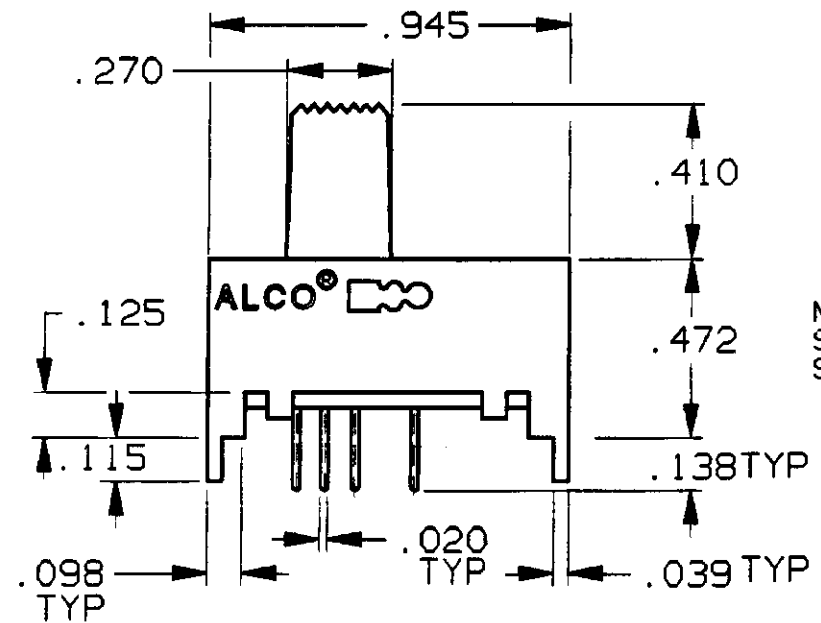
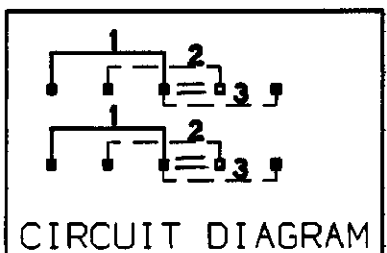
2

CONVERSION CHART

INCH	MM
.010	0.25
.016	0.40
.020	0.50
.024	0.60
.035	0.88
.039	0.99
.059	1.49
.079	2.00
.090	2.28
.098	2.48
.115	2.92
.125	3.17
.138	3.50
.157	3.98
.165	4.19
.167	4.24
.216	5.48
.270	6.85
.368	9.34
.400	10.16
.410	10.41
.905	22.98
.945	24.00

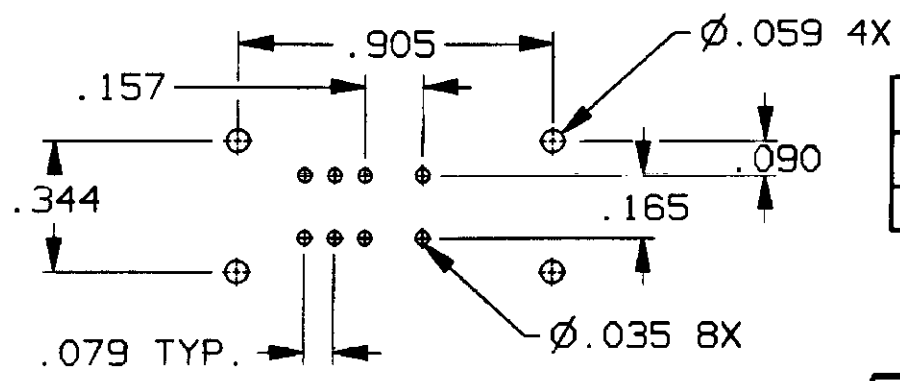
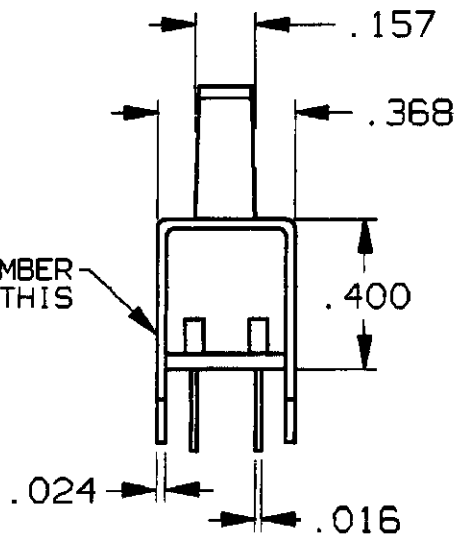


NOTCHES 3 PLCS. TO INDICATE POS.



ALCO®

MODEL NUMBER STAMPED THIS SIDE



MSSA-2350G	GOLD
MSSA-2350	SILVER
MODEL NO.	PLATING

RECOMMENDED HOLE LAYOUT
TOLERANCE ±.002 UNLESS OTHERWISE NOTED

SPECIFICATIONS:

MATERIALS:
CASE: STEEL
ACTUATOR: POLYESTER UL 94V-0
MOVABLE CONTACT: COPPER ALLOY, SILVER OR GOLD PLATED.
STATIONARY CONTACT: COPPER ALLOY, SILVER OR GOLD PLATED.
TERMINALS: COPPER ALLOY, SILVER OR GOLD PLATED.

ELECTRICAL:
CONTACT RATING: GOLD: 0.4 VA 20 VDC OR PEAK AC
SILVER: 300 mA @ 125 VAC
CONTACT RESISTANCE: 30mΩ MAX. INITIAL.
INSULATION RESISTANCE: 1,000 MEGOHMS MIN.
DIELECTRIC STRENGTH: 500V RMS @ SEA LEVEL.
LIFE EXPECTANCY: 15,000 CYCLES MIN.

MECHANICAL:
ACTUATION FORCE: 470 GRAMS AVERAGE.

ENVIRONMENTAL:
OPERATING TEMPERATURE: -4°F TO +185°F
(-20°C TO +85°C)
STORAGE TEMPERATURE: -40°F TO +212°F
(-40°C TO +100°C)

NOTES:

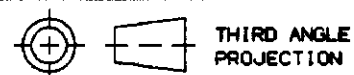
1. INTERPRET DRAWING PER ASME Y14.5M-1994.
2. TERMINALS ARE EPOXY SEALED.

AUGAT D/N 40120-SD

CUSTOMER DRAWING
SPECIFICATIONS ARE SUBJECT TO CHANGES WITHOUT NOTICE



REV	A
REVISIONS	OG3C-0173-02



UNLESS OTHERWISE SPECIFIED
DIMENSIONS ARE IN INCHES
DO NOT SCALE PRINT

ORIGINAL DATE OF DRAWING:	6-20-96
DRAWN:	TRU-D
DATE:	6-20-96
CHECKED:	DATE:
APPROVED:	DATE:
CODE IDENT. NO.	91506
DWG. SIZE	B
NEXT ASSY:	

TOLERANCES (EXCEPT AS NOTED)
ANGULAR =
DECIMAL .XX =
DECIMAL .XXX = ±.010
DECIMAL .XXXX =

MATERIAL:
SEE SPECIFICATIONS

FINISH:
SEE SPECIFICATIONS

TYCO ELECTRONICS

TITLE: **CUSTOMER DRAWING**
SLIDE SWITCH
(MSSA-2350)

DWG. NO. **5-1437580-3**

PRODUCT CODE: C51
SCALE: SHEET 1 OF 1

REV. **A**

4

3

FIRST DESIGNED FOR:

2

1