



Chipsmall Limited consists of a professional team with an average of over 10 year of expertise in the distribution of electronic components. Based in Hongkong, we have already established firm and mutual-benefit business relationships with customers from,Europe,America and south Asia,supplying obsolete and hard-to-find components to meet their specific needs.

With the principle of “Quality Parts,Customers Priority,Honest Operation,and Considerate Service”,our business mainly focus on the distribution of electronic components. Line cards we deal with include Microchip,ALPS,ROHM,Xilinx,Pulse,ON,Everlight and Freescale. Main products comprise IC,Modules,Potentiometer,IC Socket,Relay,Connector.Our parts cover such applications as commercial,industrial, and automotives areas.

We are looking forward to setting up business relationship with you and hope to provide you with the best service and solution. Let us make a better world for our industry!



Contact us

Tel: +86-755-8981 8866 Fax: +86-755-8427 6832

Email & Skype: info@chipsmall.com Web: www.chipsmall.com

Address: A1208, Overseas Decoration Building, #122 Zhenhua RD., Futian, Shenzhen, China



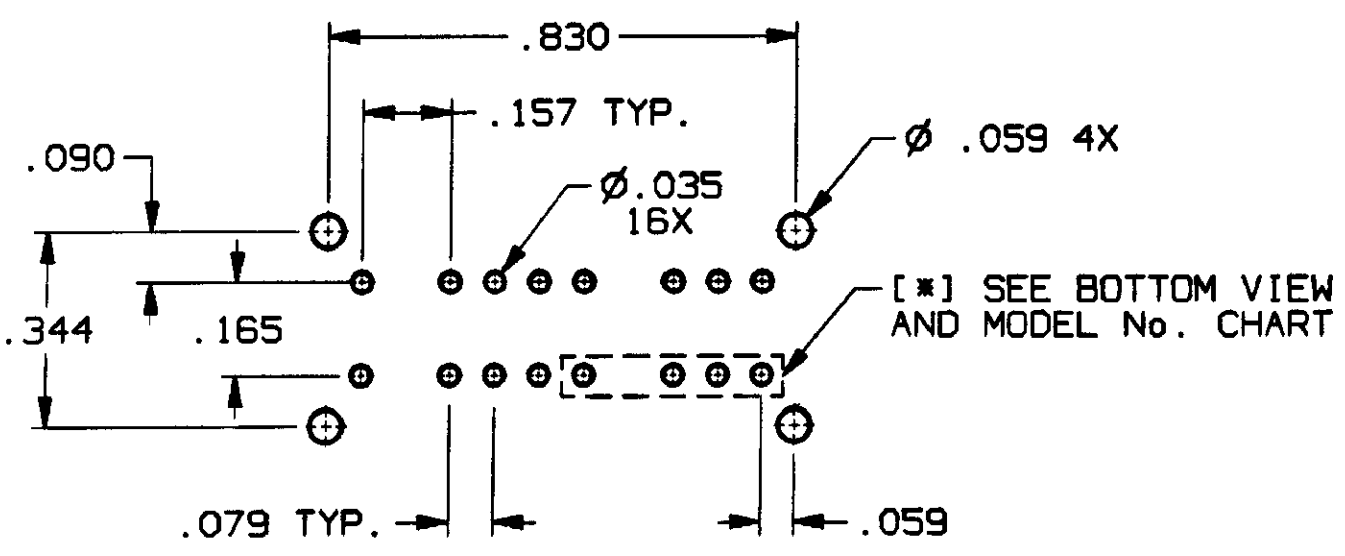
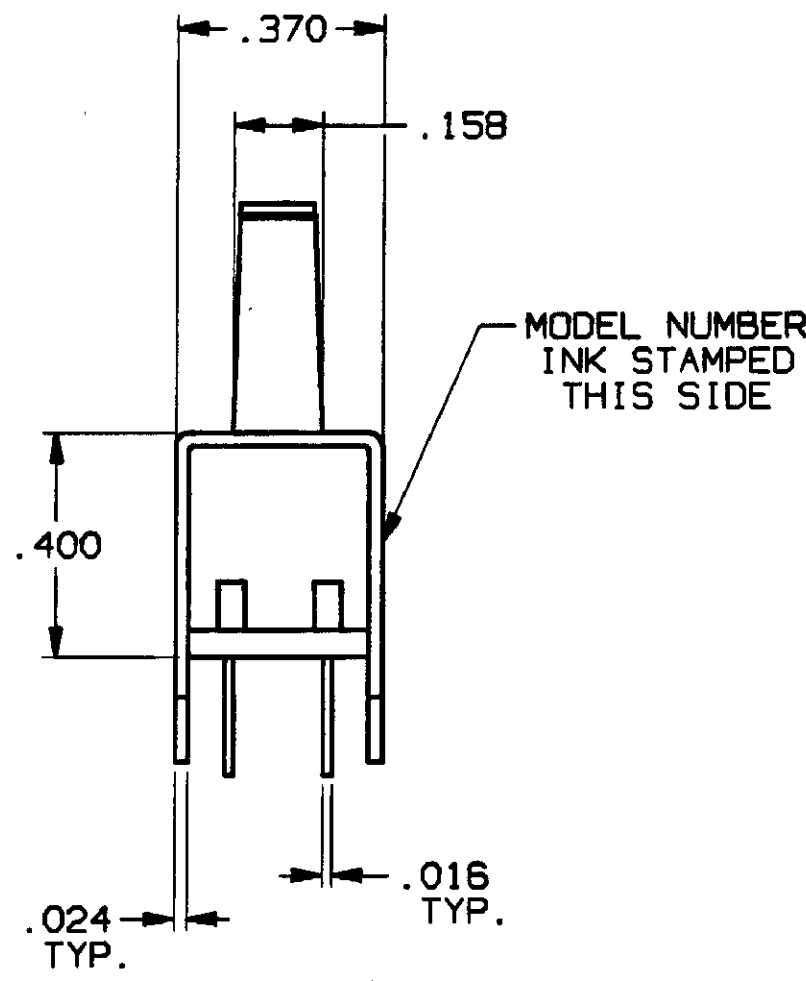
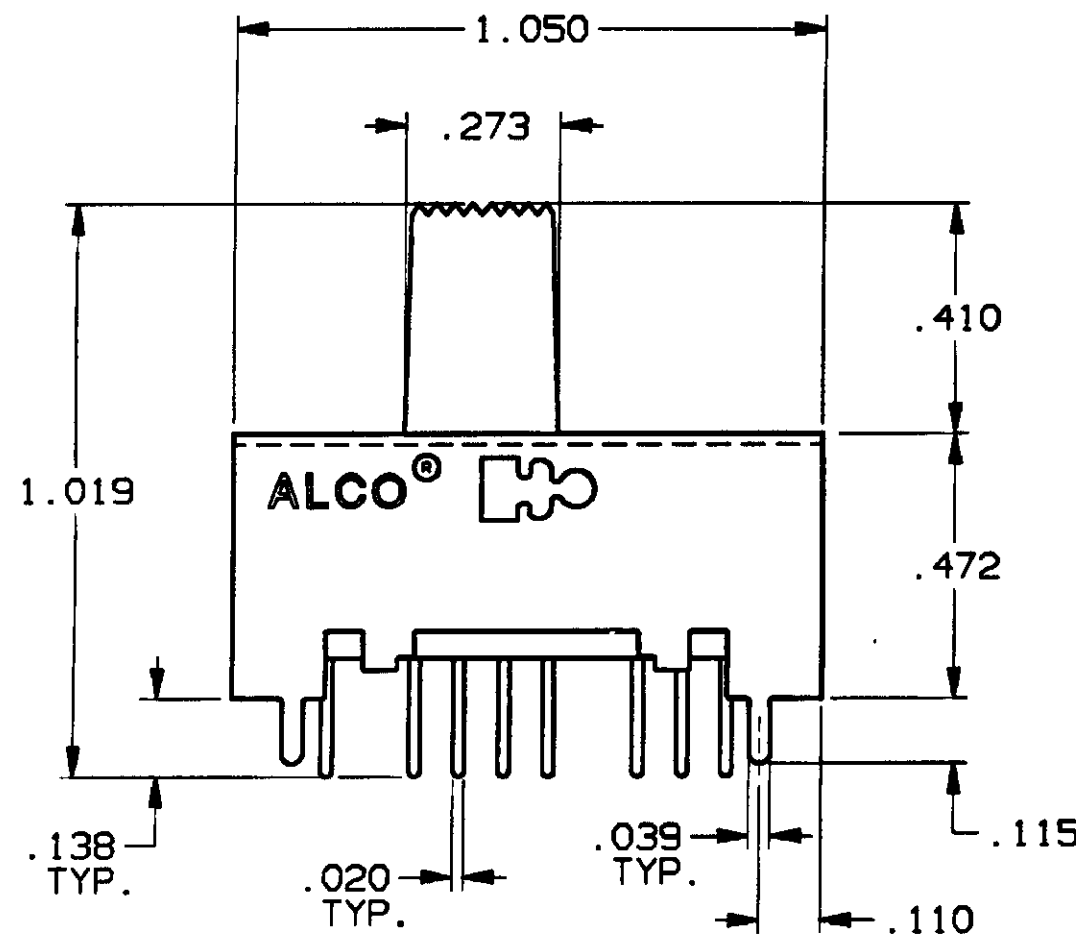
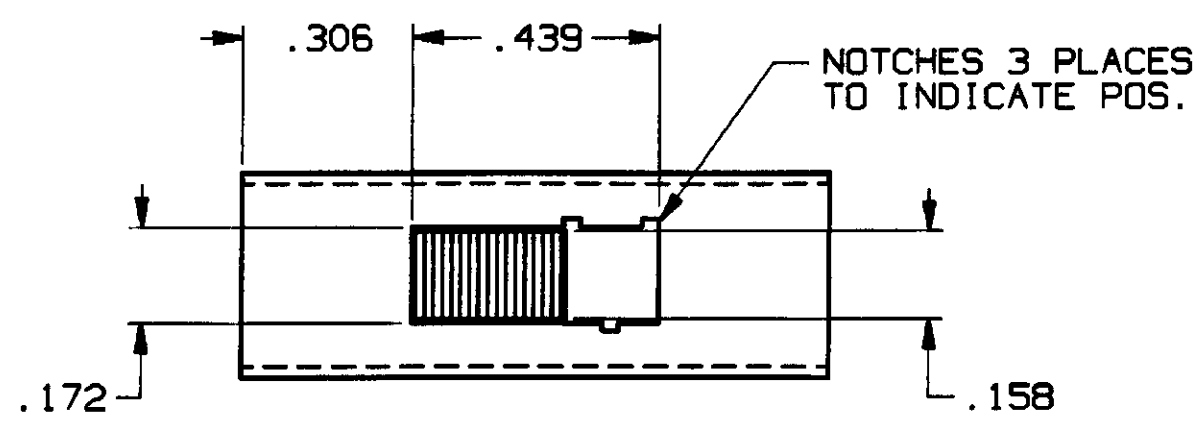
4

3

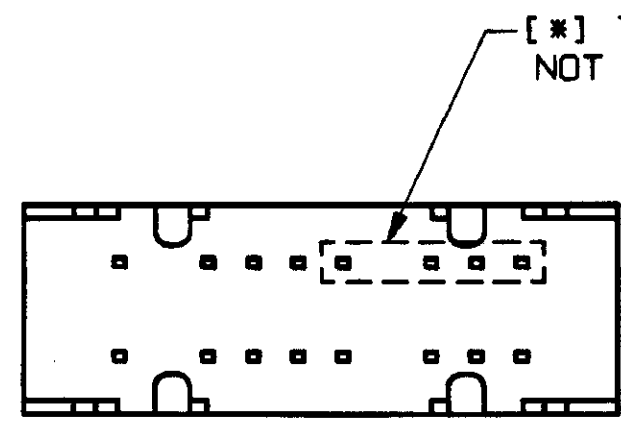
2

1

CONVERSION CHART	
INCH	MM
.002	0.05
.010	0.25
.016	0.40
.020	0.50
.024	0.60
.035	0.88
.039	0.99
.059	1.49
.079	2.00
.090	2.28
.099	2.51
.110	2.79
.115	2.92
.138	3.50
.157	3.98
.158	4.01
.165	4.19
.172	4.36
.216	5.48
.270	6.85
.273	7.01
.306	7.77
.344	8.73
.370	9.39
.400	10.16
.410	10.41
.439	11.15
.472	11.98
.830	21.08
1.019	25.88
1.050	26.67



PC HOLE LAYOUT (TOP VIEW)
RECOMMENDED TOLERANCES $\pm .002$



SWITCH BOTTOM VIEW

SPECIFICATIONS:

MATERIALS:
CASE: COLD ROLLED STEEL.
ACTUATOR: POLYESTER, UL94V-0.
TERMINALS: GOLD OR SILVER PLATE.
TERMINAL SEAL: EPOXY.
CONTACTS, MOVING: COPPER ALLOY, GOLD OR SILVER PLATE.
CONTACTS, FIXED: COPPER ALLOY, GOLD OR SILVER PLATE.

ELECTRICAL:
CONTACT RATING, SILVER: 300 MA @ 125 VAC.
CONTACT RATING, GOLD: 0.4 VA MAX. @ 20 VDC OR PEAK AC.
CONTACT TIMING: SHORTING.
INITIAL CONTACT RESISTANCE: 30 MILLIOHMS MAX.
INSULATION RESISTANCE: 1,000 MEGOHMS MIN.
DIELECTRIC STRENGTH: 500 VOLTS RMS @ SEA LEVEL.
LIFE EXPECTANCY: 15,000 CYCLES.

MECHANICAL:
ACTUATION FORCE: 470 GRAMS, AVERAGE.
ACTUATOR TRAVEL: .079 IN.

ENVIRONMENTAL:
SOLDER HEAT RESISTANCE:
OPERATING TEMPERATURE: -4°F TO +185°F, (-20°C TO +85°C).
STORAGE TEMPERATURE: -40°F TO +212°F, (-40°C TO +100°C).

NOTES:

1. INTERPRET DRAWING PER ANSI Y14.5M 1982.

MODEL NO.	No. OF POLES	PLATING
[*] MSA-3350	3 POLES	SILVER
[*] MSA-3350G	3 POLES	GOLD OVER NICKEL
MSSA-4350	4 POLES	SILVER
MSSA-4350G	4 POLES	GOLD OVER NICKEL

REV	A
REVISIONS	0G3C-0173-02

CUSTOMER DRAWING
SPECIFICATIONS ARE SUBJECT TO CHANGES WITHOUT NOTICE

<p>THIRD ANGLE PROJECTION</p>	UNLESS OTHERWISE SPECIFIED DIMENSIONS ARE IN MILLI-METERS. DO NOT SCALE PRINT	ORIGINAL DATE OF DRAWING: 9-17-96
	TOLERANCES (EXCEPT AS NOTED) ANGULAR = $\pm 1^\circ$ DECIMAL .XXX = $\pm .010$	DRAWN: C. THEODORE DATE: 9-17-96
<p>AUGAT CONFIDENTIAL</p> <p>This document contains information which is the exclusive property of Augat Inc. Distribution, reproduction or use by others is not permitted without the expressed written consent of Augat Inc.</p>	MATERIAL: SEE SPECIFICATIONS	APPROVED: DATE:
	FINISH: SEE SPECIFICATIONS	CODE IDENT. NO. 91506 DWG. SIZE C

AUGAT D/N 40113-SD

THIS IS A C.A.D. GENERATED DRAWING. DO NOT MAKE MANUAL REVISIONS TO MASTER.

TYCO ELECTRONICS

TITLE: CUSTOMER DRAWING
SLIDE SWITCH
3 POSITION PC

DWG. NO.	REV.
6-1437580-1	A

PRODUCT CODE: SCALE: SHEET 1 OF 1

4

3

2

1