



Chipsmall Limited consists of a professional team with an average of over 10 year of expertise in the distribution of electronic components. Based in Hongkong, we have already established firm and mutual-benefit business relationships with customers from,Europe,America and south Asia,supplying obsolete and hard-to-find components to meet their specific needs.

With the principle of “Quality Parts,Customers Priority,Honest Operation,and Considerate Service”,our business mainly focus on the distribution of electronic components. Line cards we deal with include Microchip,ALPS,ROHM,Xilinx,Pulse,ON,Everlight and Freescale. Main products comprise IC,Modules,Potentiometer,IC Socket,Relay,Connector.Our parts cover such applications as commercial,industrial, and automotives areas.

We are looking forward to setting up business relationship with you and hope to provide you with the best service and solution. Let us make a better world for our industry!



Contact us

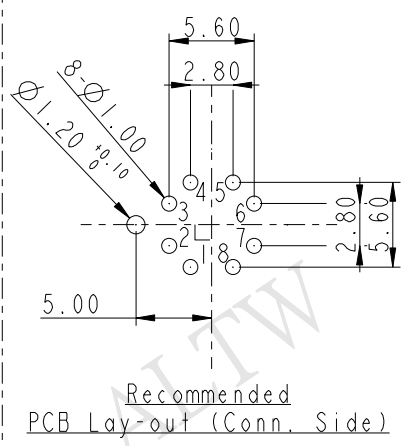
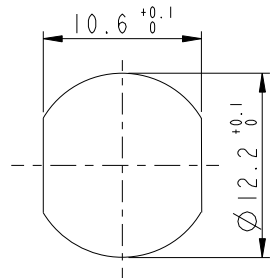
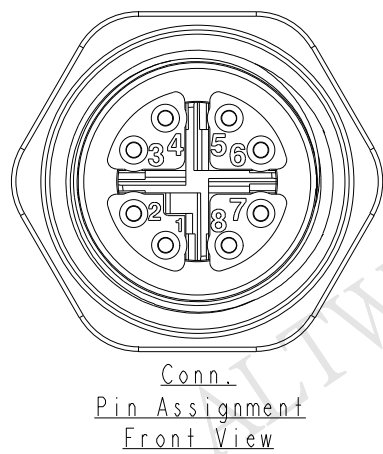
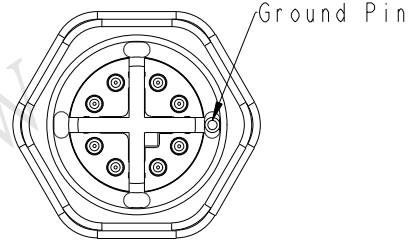
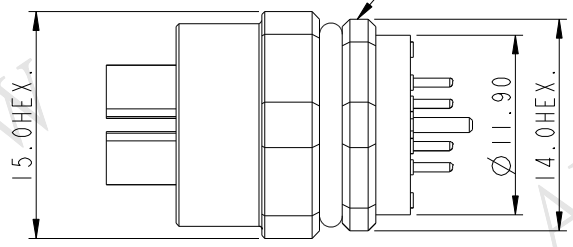
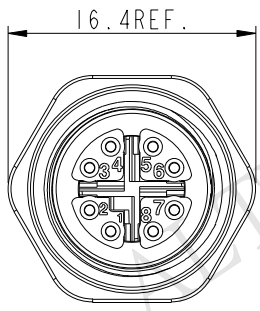
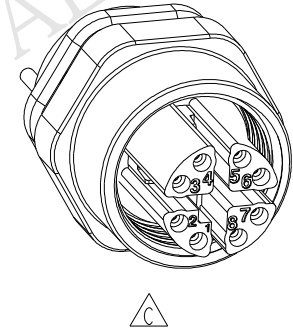
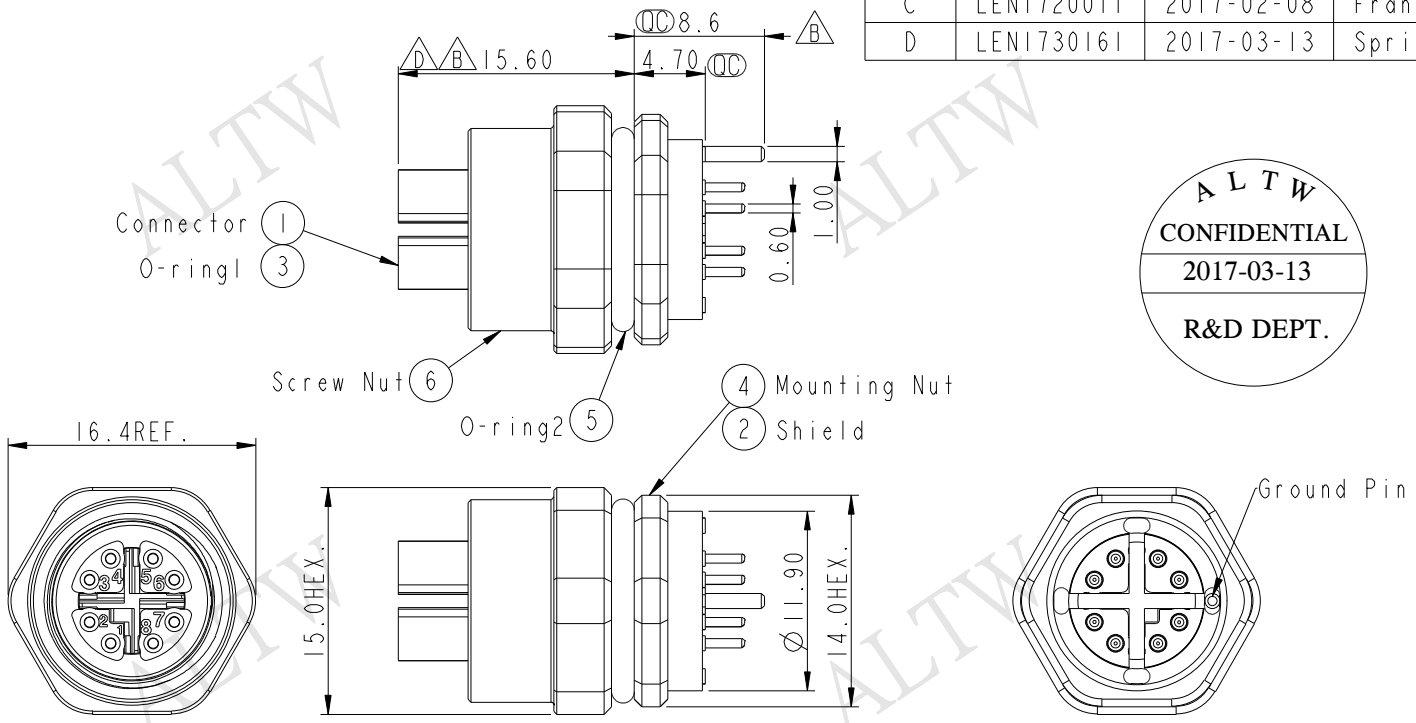
Tel: +86-755-8981 8866 Fax: +86-755-8427 6832

Email & Skype: info@chipsmall.com Web: www.chipsmall.com

Address: A1208, Overseas Decoration Building, #122 Zhenhua RD., Futian, Shenzhen, China



REV.	ECN NO.	DATE	SIGN	DESCRIPTION
B	LE316B0094	2016/10/26	Cary Liu	Improvement Product
C	LEN1720011	2017-02-08	Frank Deng	Change Rated Voltage
D	LEN1730161	2017-03-13	Spring Liu	Update the note & Dimension



- Note:
- * CC Important Dimension To Check.
 - * Waterproof Rate: IP67 (Mated Condition)
 - * Rated Voltage: 50V AC, 60V DC
 - * Rated Current @40°C: 0.5A
 - * Connector: PA, Black
 - * Female Pin: Copper Alloy, Gold Plated
 - * Mounting Nut: Zinc Alloy, Nickel Plated
 - * Shield: Brass, Nickel Plated
 - * Screw Nut: Zinc Alloy, Nickel Plated
 - * O-Ring1: Silicon, Gray
 - * O-Ring2: Silicon, Gray
 - * For Panel Thickness Range: 2.0~3.0mm
 - * For PCB Thickness Max. 1.6mm

UNIT:mm		TITLE		ITEM NO.		DRAWN BY		DATE	
		M12 X-code Female Receptacle Straight, Thru-hole		MSXS-08PFFP-SF7001		Frank Deng		2017-03-13	
TOLERANCE		SCALE	SIZE	SHEET	OF	DWG NO.	CHECKED BY	DATE	
.X ±0.25		2:1	A4	1	1	MSXS-08PFFP-SF7001	Spring Liu	2017-03-13	
.XX ±0.1		REV.	WC-REV.	CC : Inspection item		CUSTOMER	APPROVED BY	DATE	
.XXX ±0.05		D	A.4			ALTW	Kevin Hu	2017-03-13	
ANGLES ±1°									

Amphenol LTW
安費諾亮泰企業股份有限公司

THIS DOCUMENT IS SUBJECT TO CHANGE WITHOUT NOTICE. IT IS CONFIDENTIAL AND A PROPERTY OF Amphenol LTW. DISCLOSURE TO THIRD PARTY HAS TO BE AUTHORIZED BY Amphenol LTW.