



Chipsmall Limited consists of a professional team with an average of over 10 year of expertise in the distribution of electronic components. Based in Hongkong, we have already established firm and mutual-benefit business relationships with customers from,Europe,America and south Asia,supplying obsolete and hard-to-find components to meet their specific needs.

With the principle of “Quality Parts,Customers Priority,Honest Operation,and Considerate Service”,our business mainly focus on the distribution of electronic components. Line cards we deal with include Microchip,ALPS,ROHM,Xilinx,Pulse,ON,Everlight and Freescale. Main products comprise IC,Modules,Potentiometer,IC Socket,Relay,Connector.Our parts cover such applications as commercial,industrial, and automotives areas.

We are looking forward to setting up business relationship with you and hope to provide you with the best service and solution. Let us make a better world for our industry!



Contact us

Tel: +86-755-8981 8866 Fax: +86-755-8427 6832

Email & Skype: info@chipsmall.com Web: www.chipsmall.com

Address: A1208, Overseas Decoration Building, #122 Zhenhua RD., Futian, Shenzhen, China



Enhanced Sensitivity Wavelength: 365nm

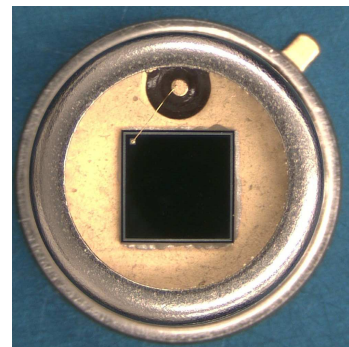
The MT03-018 is a 7.50mm² Active area Photodiode in a hermetic TO-5 metal can package. It is specifically designed for use @365nm or Blue/Green applications requiring high signal and low noise.

FEATURES

- > Ultra low noise
- > High Shunt Resistance
- > Wide Dynamic Range
- > 365nm and Blue/Green enhanced

APPLICATIONS

- > Color Meter
- > Currency Authentication
- > Spectroscopy Equipment
- > Fluorescence



Absolute Maximum Ratings



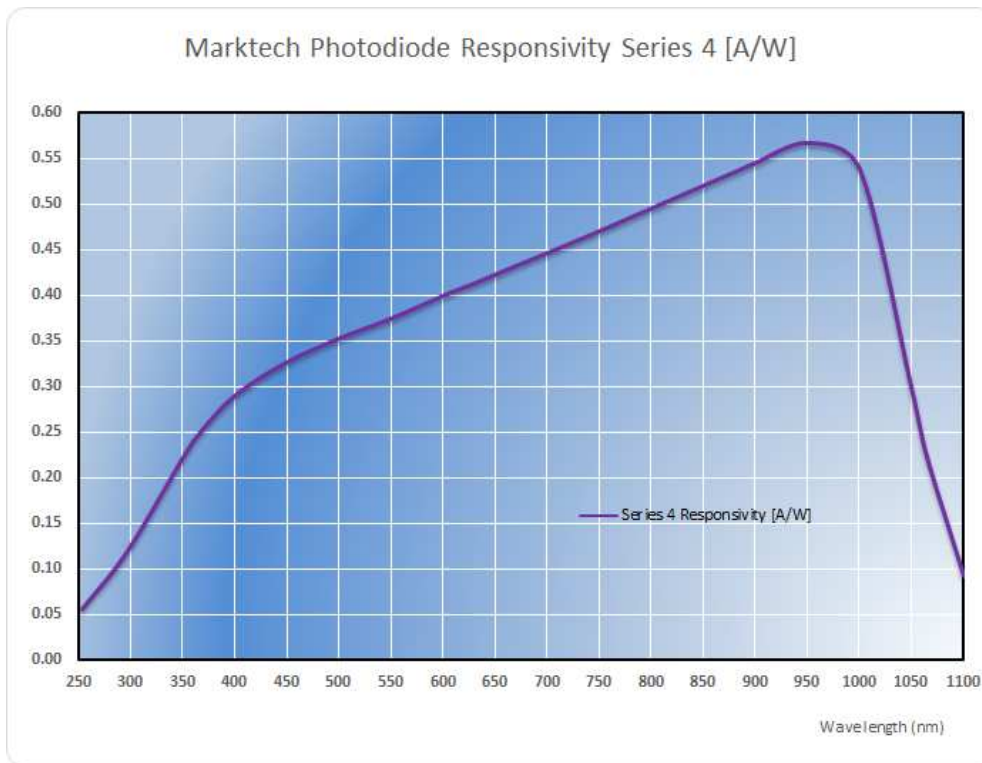
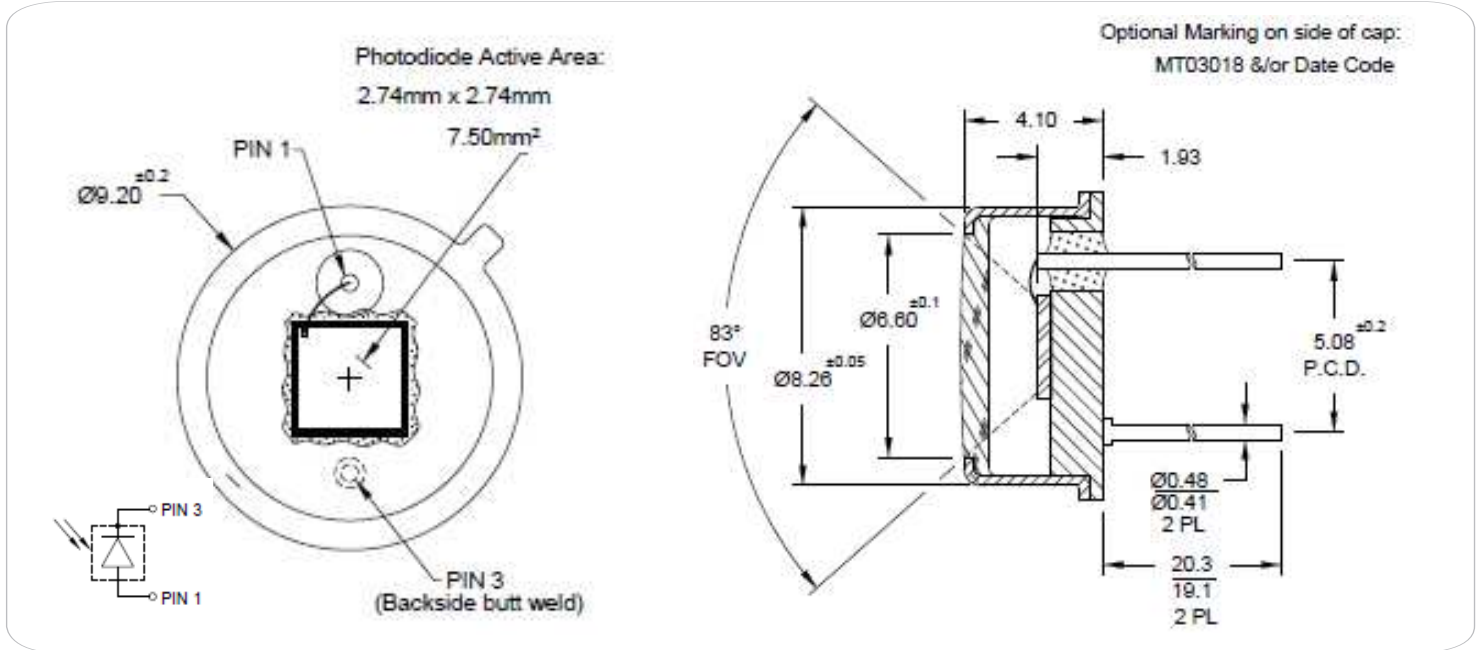
ITEMS	SYMBOL	RATINGS	UNIT
Reverse Voltage	VR	50	V
Operating Temperature Range	Topr	-40 ~ +100	°C
Storage Temperature Range	Tstg	-55 ~ +125	°C
Lead Soldering Temperature*1	Tls	260	°C

*1: Time 5 Sec max, Position: Up to 3mm from the body.

Electrical & Optical Characteristics (Ta = 23°C)

ITEMS	SYMBOL	CONDITIONS	MIN	TYP	MAX	UNIT
Dark Current	ID	Vr=5V	--	.1	10	nA
Forward Voltage	Vf	If=2mA	--	--	0.8	V
Breakdown Voltage	Vb	Ir=10uA	130	--	--	V
Spectral Sensitivity	λ	--	--	250-1100	--	nm
Peak Sensitivity Wavelength	λ_p	--	--	950	--	nm
Responsivity	Rt	Vr=0V, $\lambda=365$ nm	0.18	0.22	--	A/W
Responsivity	Rt	Vr=0V, $\lambda=633$ nm	--	0.38	--	A/W
Response Time 365nm	Tr	Vr=0V, RL=1k Ω	--	100	--	nS
Junction Capacitance	Cj	at 1MHz, Vr=0V	--	130	--	pF
Junction Capacitance	Cj	at 1MHz, Vr=5V	--	50	70	pF
Shunt Resistance	Rsh	Vr=10mV	--	400	--	m Ω

Device Dimensions



The information contained herein is subject to change without notice.

2018-08-09