



Chipsmall Limited consists of a professional team with an average of over 10 year of expertise in the distribution of electronic components. Based in Hongkong, we have already established firm and mutual-benefit business relationships with customers from,Europe,America and south Asia,supplying obsolete and hard-to-find components to meet their specific needs.

With the principle of “Quality Parts,Customers Priority,Honest Operation,and Considerate Service”,our business mainly focus on the distribution of electronic components. Line cards we deal with include Microchip,ALPS,ROHM,Xilinx,Pulse,ON,Everlight and Freescale. Main products comprise IC,Modules,Potentiometer,IC Socket,Relay,Connector.Our parts cover such applications as commercial,industrial, and automotives areas.

We are looking forward to setting up business relationship with you and hope to provide you with the best service and solution. Let us make a better world for our industry!



## Contact us

Tel: +86-755-8981 8866 Fax: +86-755-8427 6832

Email & Skype: info@chipsmall.com Web: www.chipsmall.com

Address: A1208, Overseas Decoration Building, #122 Zhenhua RD., Futian, Shenzhen, China



### Peak Emission Wavelength: 560nm, 585nm, 635nm, 660nm

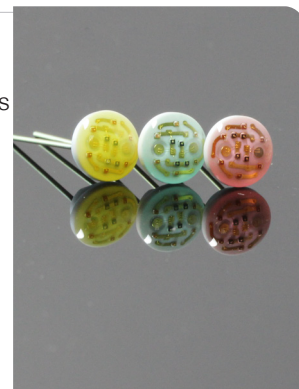
The MT101NP-XXX is a high reliability multi-chip emitter designed for applications requiring various wavelengths or more than one die in a single package. These devices can be custom sorted for specific power output.

#### FEATURES

- > High Luminance / High Reliability
- > Wide Radiation Pattern / White Ceramic Base
- > Low Power Consumption
- > Alternate Electrical Configurations

#### APPLICATIONS

- > Currency Validation
- > Medical / Biofluorescence
- > General Indication
- > Push Button Backlight



### Absolute Maximum Ratings (Ta=25°C)

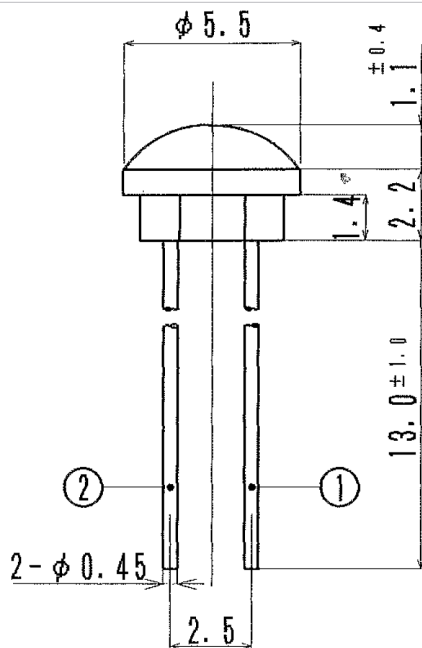
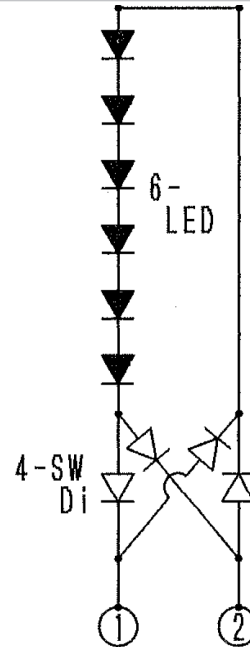
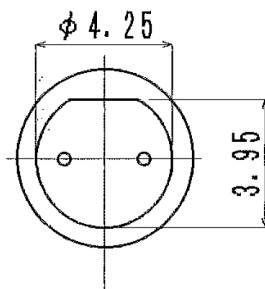


| ITEMS                        | SYMBOL | RATINGS    | UNIT |
|------------------------------|--------|------------|------|
| Forward Current              | IF     | 15         | mA   |
| Power Dissipation            | PD     | 240        | mW   |
| Operating Temperature Range  | Topr   | -20 ~ +60  | °C   |
| Storage Temperature Range    | Tstg   | -30 ~ +100 | °C   |
| Lead Soldering Temperature*1 | Tls    | 260        | °C   |

\*1: Time 5 Sec max, Position: Up to 3mm from the body.

### Electrical & Optical Characteristics (Ta = 25°C)

| PART NO.    | Material | IV(typ)  | VF(typ)  | VF(max)  | $\lambda_p$ (typ) | $\Delta\lambda$ (typ) | Circuit |
|-------------|----------|----------|----------|----------|-------------------|-----------------------|---------|
|             |          | @IF=10MA | @IF=10MA | @IF=10MA | @IF=10MA          | @IF=10MA              |         |
| MT101NP-UG  | GaP      | 50mcd    | 13.3V    | 16.4V    | 565nm             | 30nm                  | Bipolar |
| MT101NP-YL  | GaAsP    | 20mcd    | 12.8V    | 15.8V    | 585nm             | 30nm                  | Bipolar |
| MT101NP-HR  | GaAsP    | 25mcd    | 12.3V    | 15.2V    | 635nm             | 35nm                  | Bipolar |
| MT101NP-URD | GaAlAs   | 100mcd   | 11.8V    | 14.6V    | 660nm             | 20nm                  | Bipolar |



Unit: mm, Tolerance: ±0.2

The information contained herein is subject to change without notice.

2013-06-05