



Chipsmall Limited consists of a professional team with an average of over 10 year of expertise in the distribution of electronic components. Based in Hongkong, we have already established firm and mutual-benefit business relationships with customers from,Europe,America and south Asia,supplying obsolete and hard-to-find components to meet their specific needs.

With the principle of “Quality Parts,Customers Priority,Honest Operation,and Considerate Service”,our business mainly focus on the distribution of electronic components. Line cards we deal with include Microchip,ALPS,ROHM,Xilinx,Pulse,ON,Everlight and Freescale. Main products comprise IC,Modules,Potentiometer,IC Socket,Relay,Connector.Our parts cover such applications as commercial,industrial, and automotives areas.

We are looking forward to setting up business relationship with you and hope to provide you with the best service and solution. Let us make a better world for our industry!



## Contact us

Tel: +86-755-8981 8866 Fax: +86-755-8427 6832

Email & Skype: info@chipsmall.com Web: www.chipsmall.com

Address: A1208, Overseas Decoration Building, #122 Zhenhua RD., Futian, Shenzhen, China



## Peak Emission Wavelength: 560nm, 585nm, 635nm, 660nm

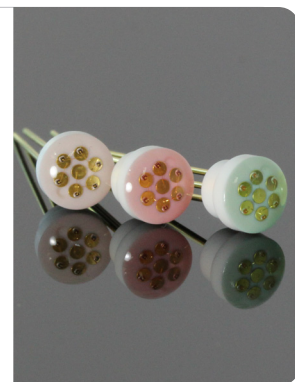
The MT121L-xxx is a high reliability multi-chip emitter designed for applications requiring various wavelengths or more than one die in a single package. These devices can be custom sorted for specific power output.

### FEATURES

- > High Luminance / High Reliability
- > Wide Radiation Pattern / White Ceramic Base
- > Low Power Consumption
- > Alternate Electrical Configurations

### APPLICATIONS

- > Currency Validation
- > Medical / Biofluorescence
- > General Indication
- > Push Button Backlight



## Absolute Maximum Ratings (Ta=25°C)

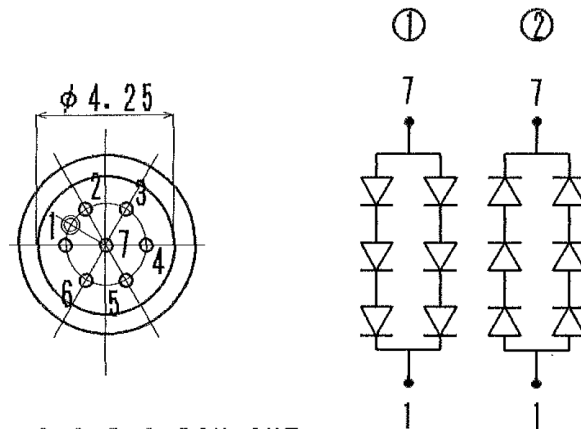
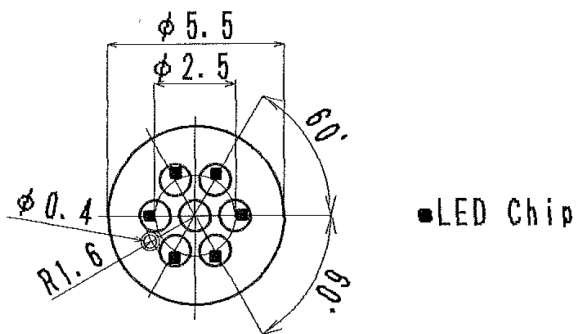


ITEMS	SYMBOL	RATINGS	UNIT
Forward Current	IF	30	mA
Reverse Voltage	VR	12	V
Power Dissipation	PD	240	mW
Operating Temperature Range	Topr	-20 ~ +60	°C
Storage Temperature Range	Tstg	-30 ~ +100	°C
Lead Soldering Temperature*1	Tls	260	°C

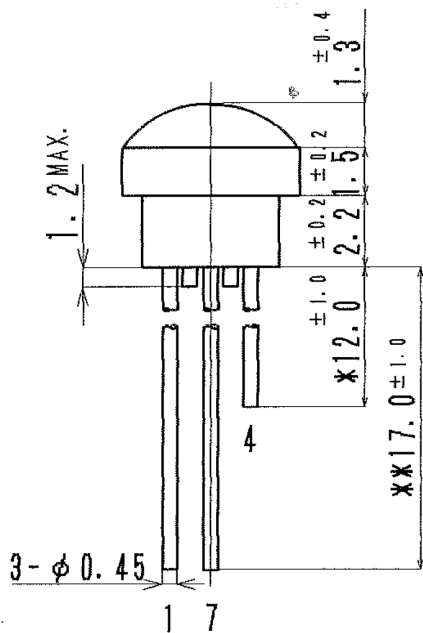
\*1: Time 5 Sec max, Position: Up to 3mm from the body.

## Electrical & Optical Characteristics (Ta = 25°C)

PART NO.	IV (typ) @IF=20MA	VF(typ) @IF=20MA	VF(max) @IF=20MA	IR(max) @VR=12V	λp(typ) @IF=20MA	Δλ(typ) @IF=20MA	Circuit No
MT121L-UG	50mcd	6.0V	7.2V	200μA	565nm	30nm	(1)
MT121L-YL	20mcd	5.8V	6.9V	200μA	585nm	30nm	(1)
MT121L-HR	25mcd	5.5V	6.6V	200μA	635nm	35nm	(1)
MT121L-URD	100mcd	5.3V	6.3V	200μA	660nm	20nm	(2)



No. 2, 3, 5, 6 PIN CUT  
 \*\* No. 1, 7  
 \* No. 4



Unit: mm, Tolerance:  $\pm 0.2$

The information contained herein is subject to change without notice.

2013-06-05