



Chipsmall Limited consists of a professional team with an average of over 10 year of expertise in the distribution of electronic components. Based in Hongkong, we have already established firm and mutual-benefit business relationships with customers from,Europe,America and south Asia,supplying obsolete and hard-to-find components to meet their specific needs.

With the principle of “Quality Parts,Customers Priority,Honest Operation,and Considerate Service”,our business mainly focus on the distribution of electronic components. Line cards we deal with include Microchip,ALPS,ROHM,Xilinx,Pulse,ON,Everlight and Freescale. Main products comprise IC,Modules,Potentiometer,IC Socket,Relay,Connector.Our parts cover such applications as commercial,industrial, and automotives areas.

We are looking forward to setting up business relationship with you and hope to provide you with the best service and solution. Let us make a better world for our industry!



Contact us

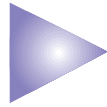
Tel: +86-755-8981 8866 Fax: +86-755-8427 6832

Email & Skype: info@chipsmall.com Web: www.chipsmall.com

Address: A1208, Overseas Decoration Building, #122 Zhenhua RD., Futian, Shenzhen, China



Series



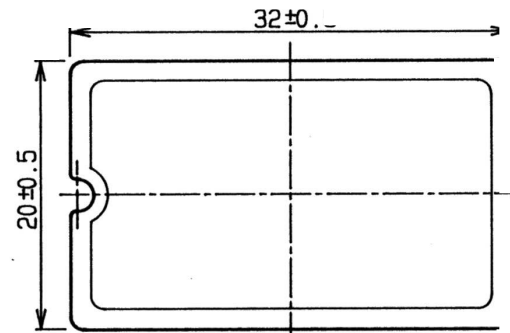
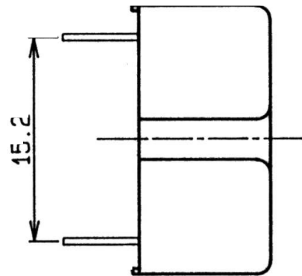
MODEL	INPUT VOLTAGE	OUTPUT VOLTAGE	OUTPUT CURRENT
MT2-0505SI	5 VDC (4.5 ~ 5.5V)	5 VDC	400mA
MT2-0512SI		12 VDC	160mA
MT2-0515SI		15 VDC	130mA
MT2-0512WI		-12 VDC	-80mA
MT2-0515WI		-15 VDC	-65mA
MT2-1205SI	12 VDC (9 ~ 18V)	5 VDC	400mA
MT2-1212SI		12 VDC	160mA
MT2-1212WI		-12 VDC	-80mA
MT2-1215WI		-15 VDC	-65mA
MT2-2405SI	24 VDC (18 ~ 36V)	5 VDC	400mA
MT2-2412SI		12 VDC	160mA
MT2-2412WI		-12 VDC	-80mA
MT2-2415WI		-15 VDC	-65mA

TYPE A: SINGLE OUTPUT

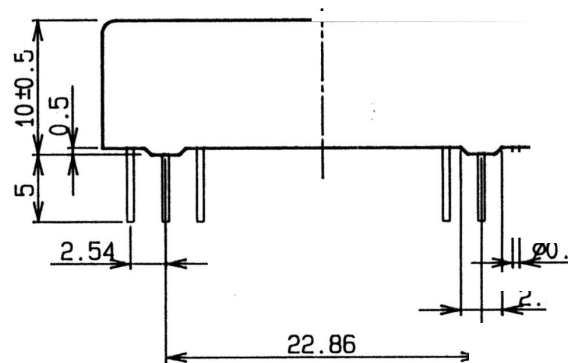
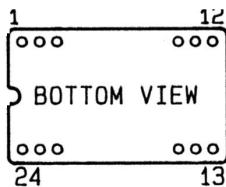
1, 24	INPUT + V
12, 13	INPUT - V
11, 14	OUTPUT + V
10, 15	OUTPUT - V
2, 23	NC
3, 22	NC

TYPE A: DUAL OUTPUT

1, 24	INPUT + V
12, 13	INPUT - V
11, 14	OUTPUT1 + V
10, 15	OUTPUT1 - V
2, 23	OUTPUT2 + V
3, 22	OUTPUT2 - V



PIN LOCATION



NOTE:

All specifications typical and nominal / full load and 25°C unless otherwise noted.
 Avoid sustained operation in overload or dead short conditions.
 Specifications subject to changes without notice.

• Dimensions in mm

