



Chipsmall Limited consists of a professional team with an average of over 10 year of expertise in the distribution of electronic components. Based in Hongkong, we have already established firm and mutual-benefit business relationships with customers from,Europe,America and south Asia,supplying obsolete and hard-to-find components to meet their specific needs.

With the principle of “Quality Parts,Customers Priority,Honest Operation,and Considerate Service”,our business mainly focus on the distribution of electronic components. Line cards we deal with include Microchip,ALPS,ROHM,Xilinx,Pulse,ON,Everlight and Freescale. Main products comprise IC,Modules,Potentiometer,IC Socket,Relay,Connector.Our parts cover such applications as commercial,industrial, and automotives areas.

We are looking forward to setting up business relationship with you and hope to provide you with the best service and solution. Let us make a better world for our industry!



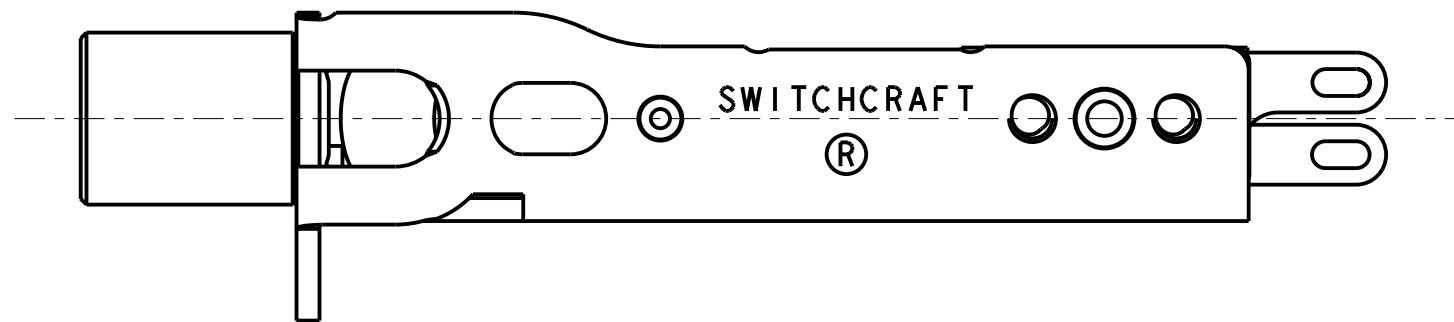
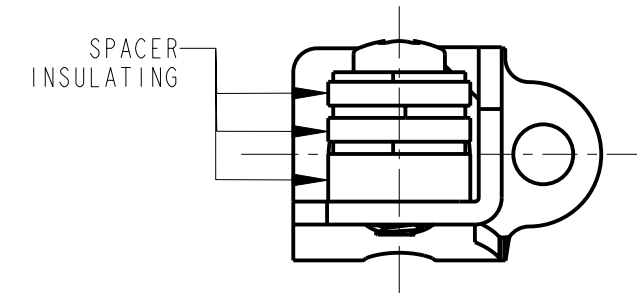
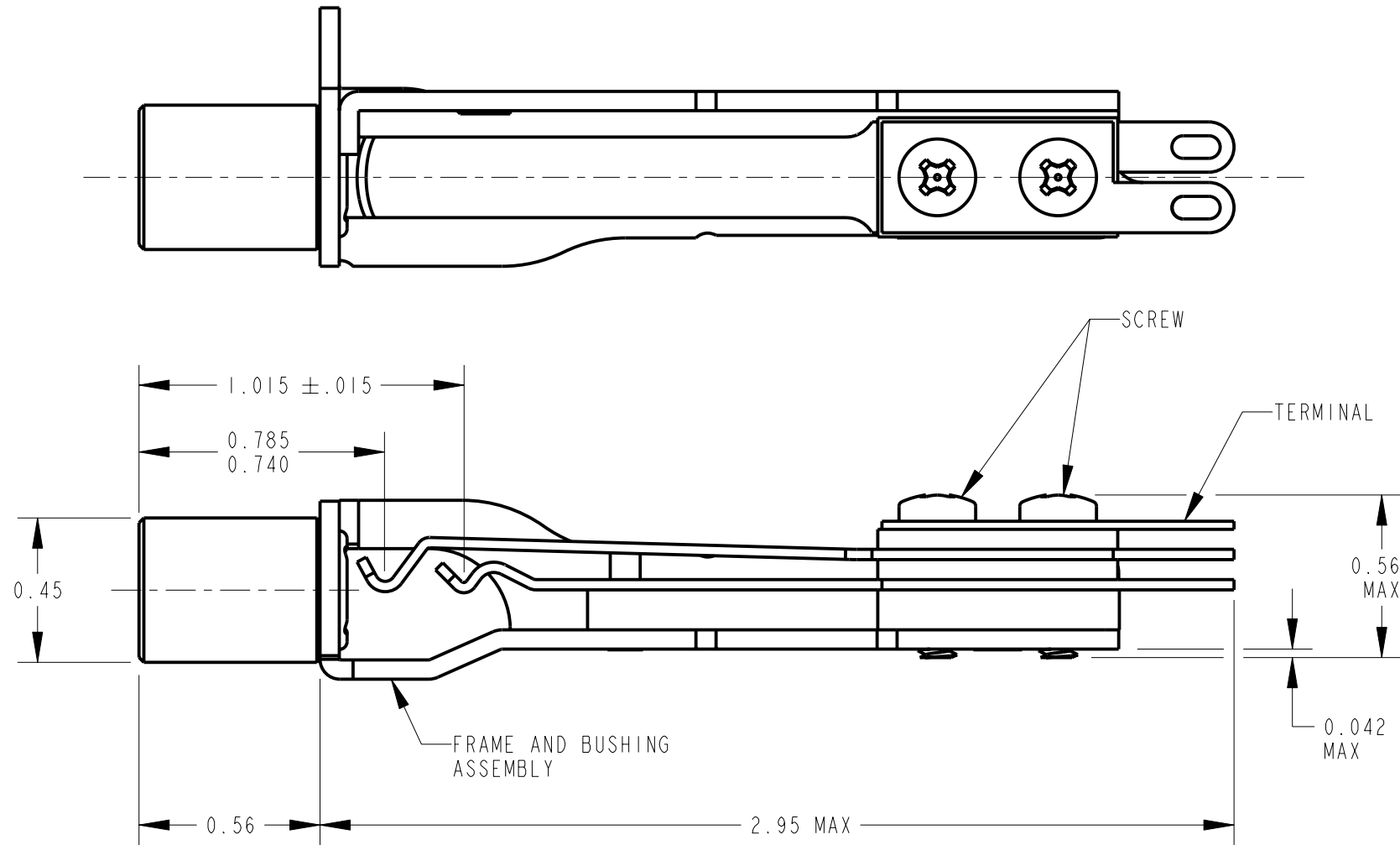
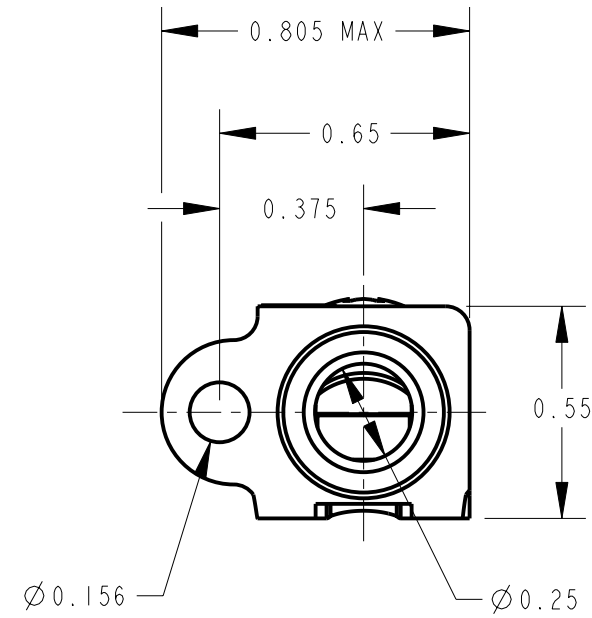
Contact us

Tel: +86-755-8981 8866 Fax: +86-755-8427 6832

Email & Skype: info@chipsmall.com Web: www.chipsmall.com

Address: A1208, Overseas Decoration Building, #122 Zhenhua RD., Futian, Shenzhen, China





NOTES:

- MATES WITH PJ-051 PLUG.
- MATERIALS:
 FRAME: STEEL, NICKEL PLATED
 BUSHING: BRASS, NICKEL PLATED
 SPRINGS: NICKEL SILVER, SPRING TEMPERED
 TERMINAL: STEEL, TIN PLATED
 SPACERS: PHENOLIC
 LIFTER SPACER: THERMOPLASTIC
 SCREWS: STEEL, NICKEL PLATED
- THIS PRODUCT IS RoHS COMPLIANT.

CUSTOMER DRAWING

REV	ECO NUMBER	DATE	BY	APVD
B	26449	9-16-09	TO	TJK
A	25255	1-17-06	TJK	TJK
REVISIONS				

★ STAR SYMBOL DENOTES CRITICAL DIMENSION

UNLESS OTHERWISE SPECIFIED

- ALL DIMENSIONS IN INCHES
 - TWO PLACE DECIMALS ±0.01
 - THREE PLACE DECIMALS ±0.005
 - ANGLES ±1°
 - ALL DIA. CONCENTRIC WITHIN 0.005 T.I.R.
- FEATURES ON THE SAME CENTERLINE MUST BE ALIGNED WITHIN ±0.002
- REMOVE ALL BURRS

DO NOT SCALE DRAWING

THIS DRAWING DESCRIBES A DESIGN CONSIDERED PROPRIETARY IN NATURE, DEVELOPED AND MANUFACTURED BY SWITCHCRAFT INC. AND IS RELEASED ON A CONFIDENTIAL BASIS FOR IDENTIFICATION PURPOSES ONLY.											
SIZE		WIDTH		MULT		LBS/M		TEMPER			
FINISH						MATERIAL					
SPEC No.						SPEC No.					
FIRST USED ON				SCALE				Switchcraft [®]			
				2:1							
DATE DRAWN	BY	CHKD	APVD								
01-Dec-08	TJK	TJK	TJK								
		12-1-08	12-1-08								
NAME						PART No.		REV			
TELEPHONE JACK						MT332BX		B			
3 CONDUCTOR, RoHS											