



Chipsmall Limited consists of a professional team with an average of over 10 year of expertise in the distribution of electronic components. Based in Hongkong, we have already established firm and mutual-benefit business relationships with customers from,Europe,America and south Asia,supplying obsolete and hard-to-find components to meet their specific needs.

With the principle of “Quality Parts,Customers Priority,Honest Operation,and Considerate Service”,our business mainly focus on the distribution of electronic components. Line cards we deal with include Microchip,ALPS,ROHM,Xilinx,Pulse,ON,Everlight and Freescale. Main products comprise IC,Modules,Potentiometer,IC Socket,Relay,Connector.Our parts cover such applications as commercial,industrial, and automotives areas.

We are looking forward to setting up business relationship with you and hope to provide you with the best service and solution. Let us make a better world for our industry!



Contact us

Tel: +86-755-8981 8866 Fax: +86-755-8427 6832

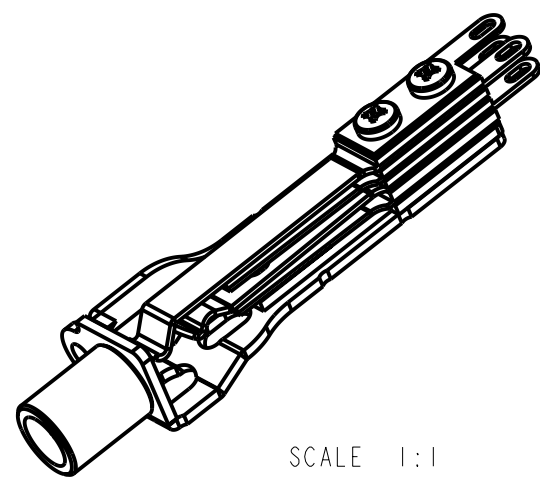
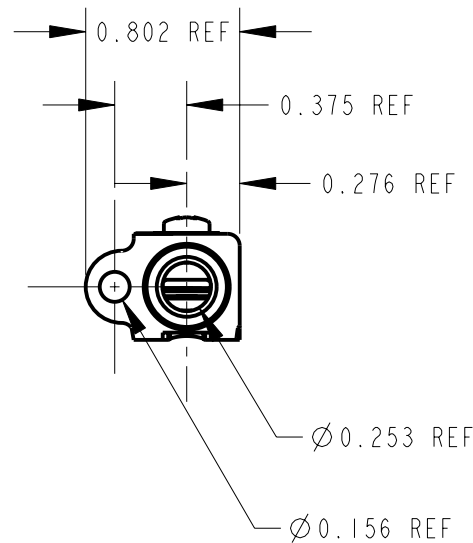
Email & Skype: info@chipsmall.com Web: www.chipsmall.com

Address: A1208, Overseas Decoration Building, #122 Zhenhua RD., Futian, Shenzhen, China

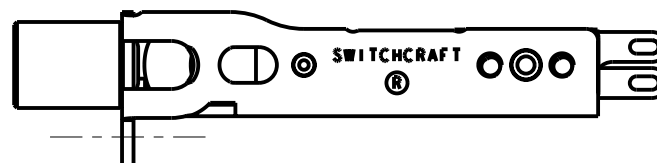
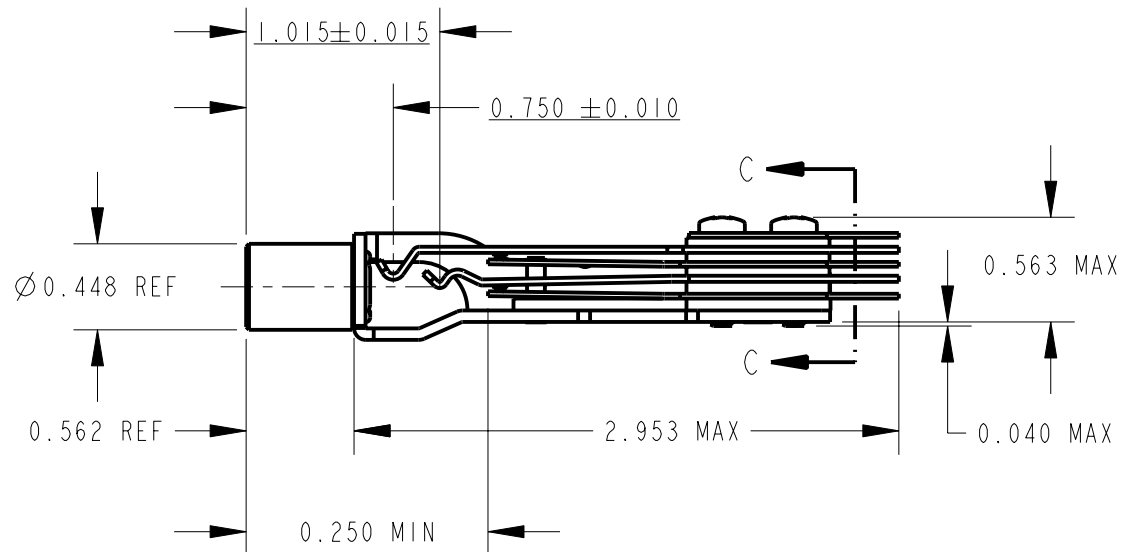
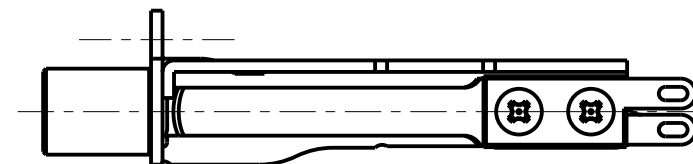
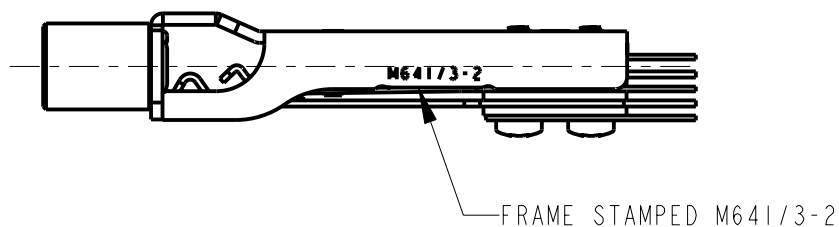


NOTES:

1. MATES WITH PJ-051 PLUG

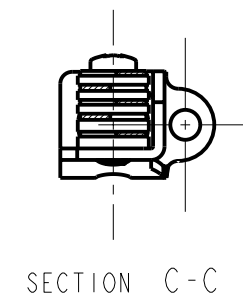


SCALE 1:1



MATERIALS:

- FRAME - STEEL IRIDESCENT IRIDITE FINISH
- BUSHING - BRASS, NICKEL PLATED
- SPRINGS - NICKEL SILVER, SPRING TEMPERED
- CONTACTS - WELDED CROSS BAR, PALLADIUM
- SPACERS - PHENOLIC, TYPE PBE-P
- LIFTER/SPACER - THERMOPLASTIC
- TERMINALS - HOT TIN DIPPED
- SCREWS - STEEL, IRIDESCENT IRIDITE FINISH



CUSTOMER DRAWING

					★ STAR SYMBOL DENOTES CRITICAL DIMENSION	THIS DRAWING DESCRIBES A DESIGN CONSIDERED PROPRIETARY IN NATURE, DEVELOPED AND MANUFACTURED BY SWITCHCRAFT INC. AND IS RELEASED ON A CONFIDENTIAL BASIS FOR IDENTIFICATION PURPOSES ONLY.						
					UNLESS OTHERWISE SPECIFIED	SIZE	WIDTH	MULT	LBS/M	TEMPER		
					1. ALL DIMENSIONS IN INCHES - TWO PLACE DECIMALS ±0.01 - THREE PLACE DECIMALS ±0.005 - ANGLES ±1° - ALL DIA. CONCENTRIC WITHIN 0.005 T.I.R.	FINISH		MATERIAL				
					2. FEATURES ON THE SAME CENTERLINE MUST BE ALIGNED WITHIN ±0.002	SPEC No.		SPEC No.				
					3. REMOVE ALL BURRS	FIRST USED ON		SCALE				
						1:1		Switchcraft®				
E	22278	9-8-99	JL	EB	DATE DRAWN	BY	CHKD				APVD	SHEET OF
D	21395	9-8-99	JL	EB	7-15-52	LD	LH 7-15-52	EB 9-14-99				
REV	ECO NUMBER	DATE	BY	APVD	NAME					PART No.	REV	
REVISIONS					DO NOT SCALE DRAWING					TELEPHONE JACK	MT334B	E