



Chipsmall Limited consists of a professional team with an average of over 10 year of expertise in the distribution of electronic components. Based in Hongkong, we have already established firm and mutual-benefit business relationships with customers from,Europe,America and south Asia,supplying obsolete and hard-to-find components to meet their specific needs.

With the principle of “Quality Parts,Customers Priority,Honest Operation,and Considerate Service”,our business mainly focus on the distribution of electronic components. Line cards we deal with include Microchip,ALPS,ROHM,Xilinx,Pulse,ON,Everlight and Freescale. Main products comprise IC,Modules,Potentiometer,IC Socket,Relay,Connector.Our parts cover such applications as commercial,industrial, and automotives areas.

We are looking forward to setting up business relationship with you and hope to provide you with the best service and solution. Let us make a better world for our industry!



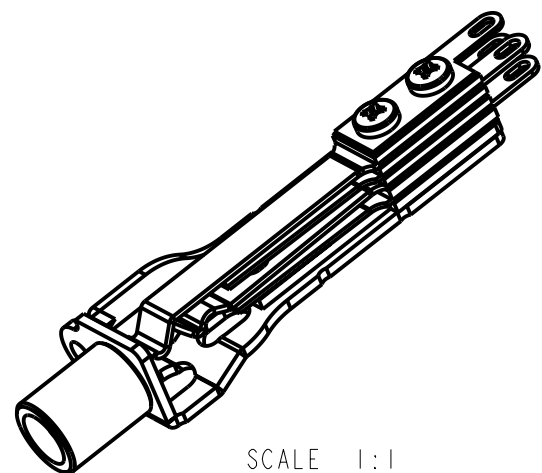
## Contact us

Tel: +86-755-8981 8866 Fax: +86-755-8427 6832

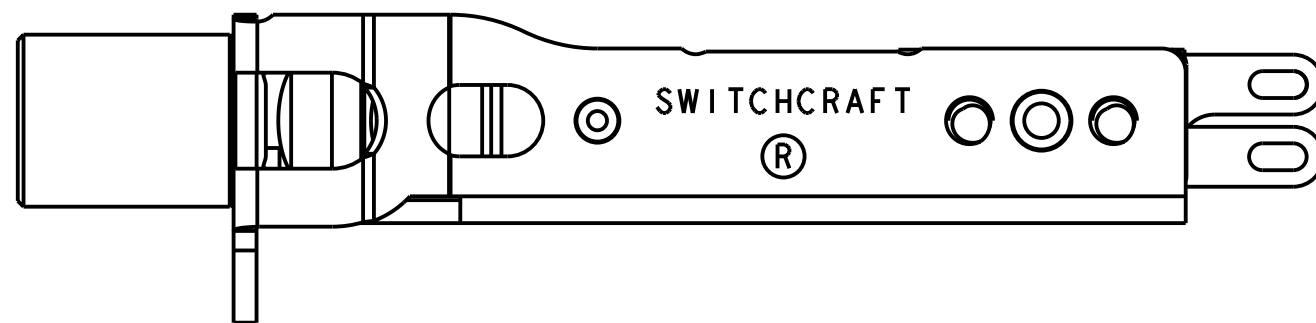
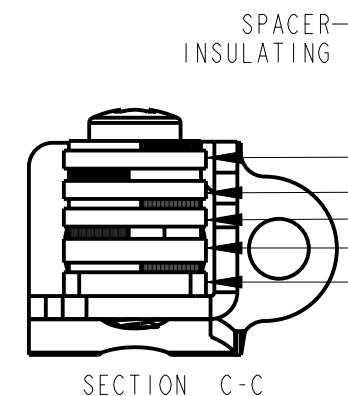
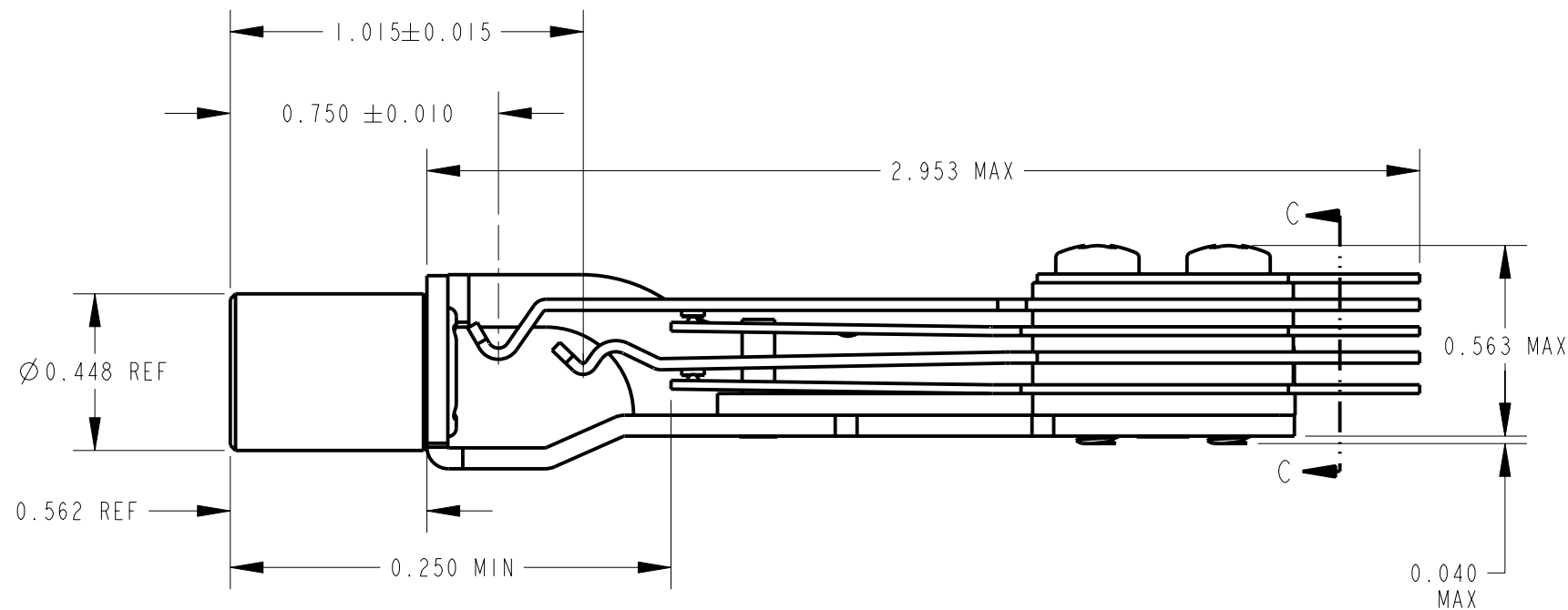
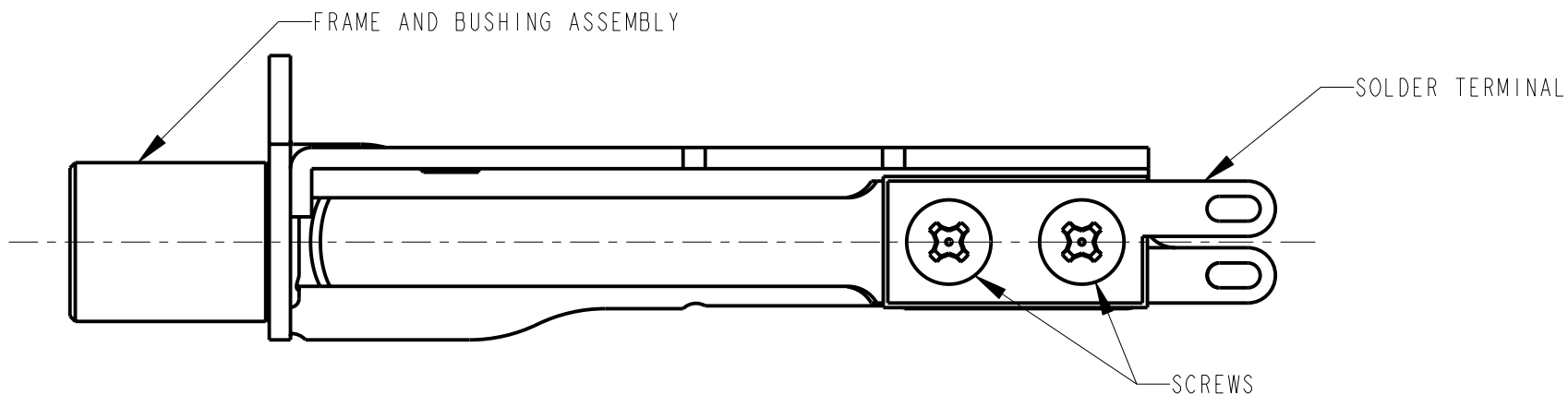
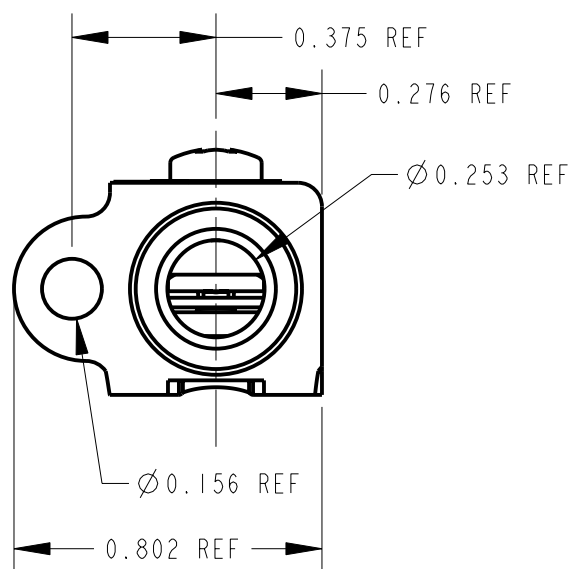
Email & Skype: info@chipsmall.com Web: www.chipsmall.com

Address: A1208, Overseas Decoration Building, #122 Zhenhua RD., Futian, Shenzhen, China





SCALE 1:1



NOTES:

- MATES WITH PJ-051 PLUG.
- MATERIALS:  
 FRAME - STEEL, NICKEL PLATED  
 BUSHING - BRASS, NICKEL PLATED  
 SPRINGS - NICKEL SILVER, SPRING TEMPERED  
 CONTACTS - WELDED CROSS BAR, PALLADIUM  
 SPACERS - PHENOLIC, TYPE PBE-P  
 LIFTER/SPACER - THERMOPLASTIC  
 TERMINALS - HOT TIN DIPPED, LEAD FREE SOLDER  
 SCREWS - STEEL, NICKEL PLATED
- THIS PRODUCT IS RoHS COMPLIANT.  
(NOT MILITARY APPROVED)

CUSTOMER DRAWING

|           |            |         |    |      |   |  |               |               |                |                     |   |
|-----------|------------|---------|----|------|---|--|---------------|---------------|----------------|---------------------|---|
|           |            |         |    |      | ★ STAR SYMBOL DENOTES CRITICAL DIMENSION  | THIS DRAWING DESCRIBES A DESIGN CONSIDERED PROPRIETARY IN NATURE, DEVELOPED AND MANUFACTURED BY SWITCHCRAFT INC. AND IS RELEASED ON A CONFIDENTIAL BASIS FOR IDENTIFICATION PURPOSES ONLY. |               |               |                |                     |   |
|           |            |         |    |      | UNLESS OTHERWISE SPECIFIED  | SIZE   | WIDTH         | MULT          | LBS/M          | TEMPER              |   |
|           |            |         |    |      | 1. ALL DIMENSIONS IN INCHES<br>- TWO PLACE DECIMALS ±0.01<br>- THREE PLACE DECIMALS ±0.005<br>- ANGLES ±1°<br>- ALL DIA. CONCENTRIC WITHIN 0.005 T.I.R. | FINISH   |               | MATERIAL      |                |                     |   |
|           |            |         |    |      | 2. FEATURES ON THE SAME CENTERLINE MUST BE ALIGNED WITHIN ±0.002  | SPEC No.   |               | SPEC No.      |                |                     |   |
|           |            |         |    |      | 3. REMOVE ALL BURRS   | FIRST USED ON<br>M641/3-2  |               | SCALE<br>2:1  |                | <b>Switchcraft®</b> |   |
| B         | 26449      | 9-16-09 | TO | TJK  | DATE DRAWN  | BY   | CHKD          | APVD          | SHEET   OF     |                     |   |
| A         | 25269      | 1-26-06 | TO | TJK  | 30-Aug-10   | TO   | TO<br>8-30-10 | TJK<br>9-5-10 | PART No.   REV |                     |   |
| REV       | ECO NUMBER | DATE    | BY | APVD | NAME TELEPHONE JACK<br>SOLDER TERMINAL, RoHS  |  |               |               |                | MT334BX             | B |
| REVISIONS |            |         |    |      | DO NOT SCALE DRAWING  |  |               |               |                |                     |   |