



Chipsmall Limited consists of a professional team with an average of over 10 year of expertise in the distribution of electronic components. Based in Hongkong, we have already established firm and mutual-benefit business relationships with customers from,Europe,America and south Asia,supplying obsolete and hard-to-find components to meet their specific needs.

With the principle of “Quality Parts,Customers Priority,Honest Operation,and Considerate Service”,our business mainly focus on the distribution of electronic components. Line cards we deal with include Microchip,ALPS,ROHM,Xilinx,Pulse,ON,Everlight and Freescale. Main products comprise IC,Modules,Potentiometer,IC Socket,Relay,Connector.Our parts cover such applications as commercial,industrial, and automotives areas.

We are looking forward to setting up business relationship with you and hope to provide you with the best service and solution. Let us make a better world for our industry!



Contact us

Tel: +86-755-8981 8866 Fax: +86-755-8427 6832

Email & Skype: info@chipsmall.com Web: www.chipsmall.com

Address: A1208, Overseas Decoration Building, #122 Zhenhua RD., Futian, Shenzhen, China



NOTES:

- THIS INSERT IS DESIGNED FOR USE IN RAYCHEM CONNECTOR HOUSING MTC100-JH1-XXX. (SEE RAYCHEM INFORMATION DRAWING D-659-0097 AND HOUSING SPECIFICATION CONTROL DRAWINGS FOR FURTHER DETAILS).
- PART DESCRIBED HEREON IS SUPPLIED AS SHOWN. IF CONTACTS, SEALING PLUGS, AND TOOLS ARE DESIRED, THE FOLLOWING MODIFICATION NUMBER IS TO BE ADDED TO THE PART NUMBER ON THE KIT PACKAGING LABEL ONLY:

MOD. NO.	DESCRIPTION
022	WITH CONTACTS AND SEALING PLUGS
023	WITH CONTACTS, SEALING PLUGS AND TOOL

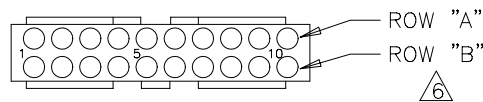
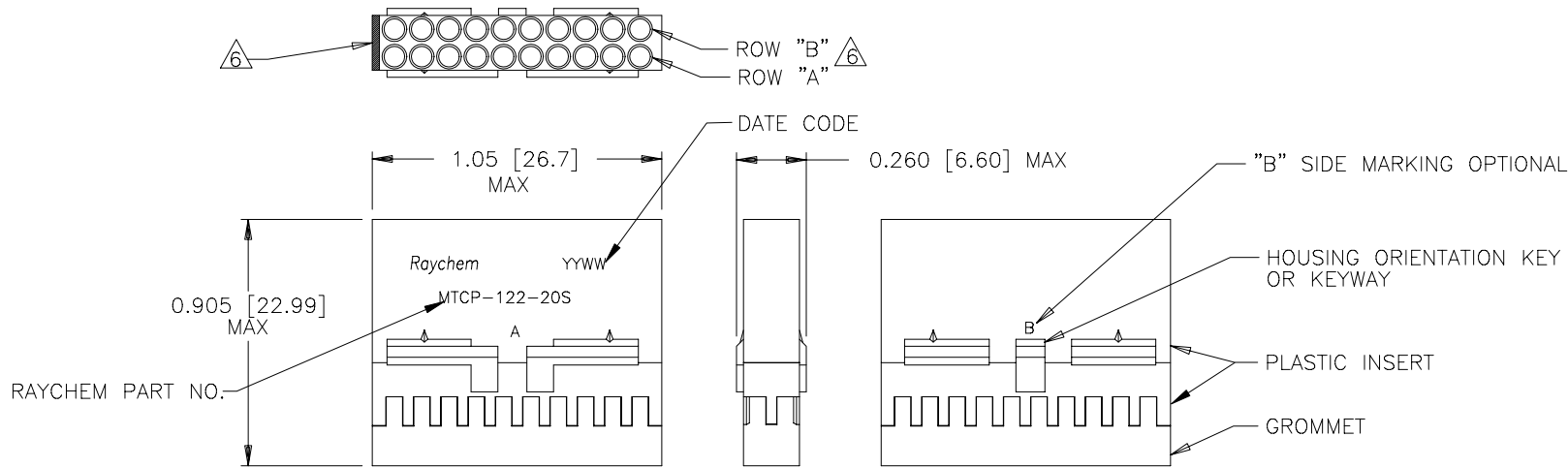
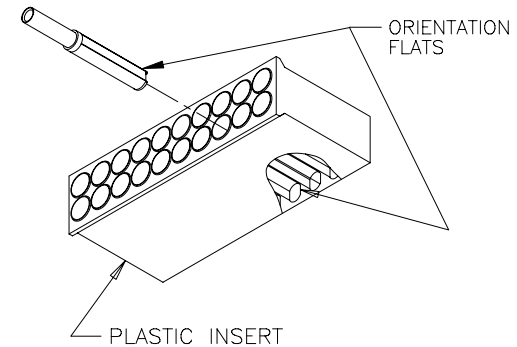
REFERENCE RAYCHEM INFORMATION DRAWING D-659-0097 FOR CRIMP TOOLS OR ADDITIONAL CONTACTS, SEALING PLUGS OR TOOLS.

- GROMMET DESIGNED TO SEAL ON WIRES HAVING AN INSULATION DIAMETER OF 0.030 TO 0.065.
- PERFORMANCE:
THIS PRODUCT IS DESIGNED TO MEET THE APPLICABLE REQUIREMENTS OF RAYCHEM SPECIFICATION C-6115.
- MATERIALS:

- | | |
|--|--------------------------------------|
| A) PLASTIC INSERT | HIGH GRADE POLYARYLENE THERMOPLASTIC |
| B) GROMMET | FLUOROSILICONE PER MIL-R-25988 |
| C) RETENTION CLIPS (20)
(INSIDE PLASTIC INSERT) | BERYLLIUM COPPER 172 PER QQ-C-533 |

- NUMBER ONE (1) CAVITIES ARE MARKED IN CONTRASTING COLOR. ROWS "A" AND "B" ARE AN INTEGRAL PART OF THE INSERT. ROWS "A" AND "B" ARE IDENTIFIED ON THE SIDE OF THE INSERT AS "A" AND "B". "B" SIDE MARKING OPTIONAL.

REVISIONS			
LTR	DESCRIPTION	DATE	APPROVED
C	REVISED PER ECN T-19723	95JAN04	R.H.
D	REVISED PER ECN T-20815	21MAY99	HIGGY
E	REVISED PER ECN T-22647	12AUG99	T.SEATON



**If this document is printed it becomes uncontrolled.
Check with the web for latest revision.**

SPECIFICATION CONTROL DRAWING

UNLESS OTHERWISE SPECIFIED DIMENSIONS ARE IN INCHES. METRIC DIMENSIONS ARE IN BRACKETS.	DRAWN	HAWKINGS	88 SEP 07	Raychem			
	CHECKED			TITLE			
	APPROVED	G.F.BLAIR	88 OCT 10	INSERT, SOCKET, 20 CAVITY, SIZE 22-20 REMOVABLE CONTACT 1" CONNECTOR MTC100 SERIES			
	APPROVED			SIZE	CODE IDENT. NO.	DWG. NO.	REV
DECIMALS .XXX ± .XX ±	mm	CAD NAME		A	06090	MTCP-122-20S	E
ANGLES .X ±		T22647.DWG		DO NOT SCALE THIS DRAWING			
WEIGHT 0.0067 lbs [3.039 g] MAX	THIRD ANGLE PROJECTION			SHEET 1 OF 1			

DWG NO. MTCP-122-20S SHEET