



Chipsmall Limited consists of a professional team with an average of over 10 year of expertise in the distribution of electronic components. Based in Hongkong, we have already established firm and mutual-benefit business relationships with customers from,Europe,America and south Asia,supplying obsolete and hard-to-find components to meet their specific needs.

With the principle of "Quality Parts,Customers Priority,Honest Operation,and Considerate Service",our business mainly focus on the distribution of electronic components. Line cards we deal with include Microchip,ALPS,ROHM,Xilinx,Pulse,ON,Everlight and Freescale. Main products comprise IC,Modules,Potentiometer,IC Socket,Relay,Connector.Our parts cover such applications as commercial,industrial, and automotives areas.

We are looking forward to setting up business relationship with you and hope to provide you with the best service and solution. Let us make a better world for our industry!



Contact us

Tel: +86-755-8981 8866 Fax: +86-755-8427 6832

Email & Skype: info@chipsmall.com Web: www.chipsmall.com

Address: A1208, Overseas Decoration Building, #122 Zhenhua RD., Futian, Shenzhen, China



Peak Sensitivity Wavelength: 900nm

The MTD3910N is a photo diode in a TO-18 metal can package. It is well suited for high reliability and high sensitivity applications. Custom package solutions and sorting are available.

FEATURES

- > Low Light Current
- > Linearity of E_e vs I_L
- > Narrow Angular Response
- > High Reliability in Demanding Environment

APPLICATIONS

- > Optical Switches / Sensors
- > Edge Sensing
- > Fiber Optical Communications
- > Smoke Detectors



Absolute Maximum Ratings (Ta=25°C)



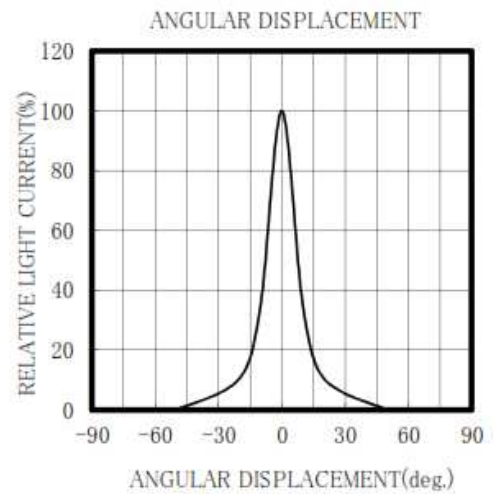
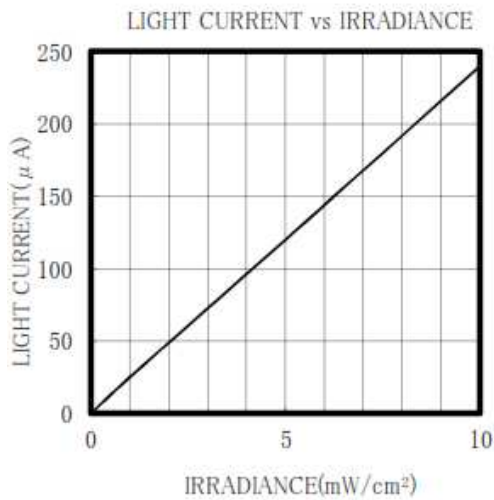
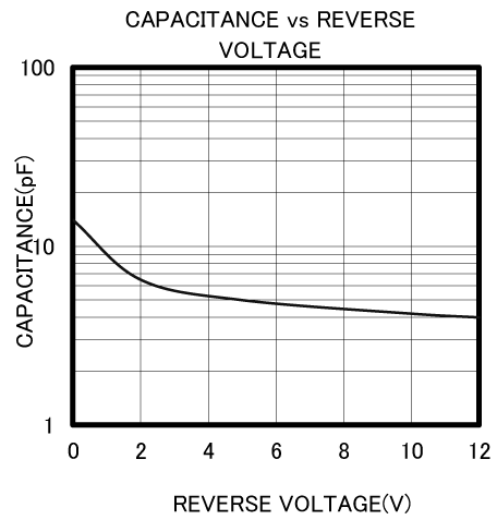
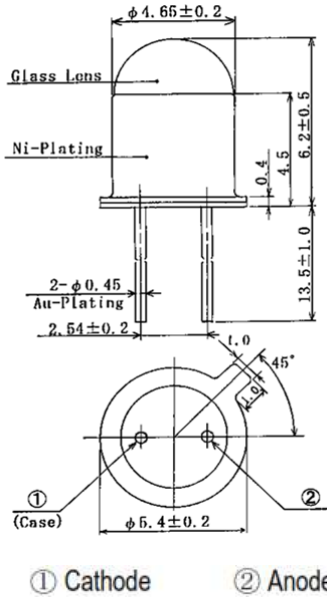
ITEMS	SYMBOL	RATINGS	UNIT
Reverse Voltage	VR	30	V
Power Dissipation	PD	100	mW
Operating Temperature Range	Topr	-30 to 100	°C
Storage Temperature Range	Tstg	-40 to 125	°C
Junction Temperature	Tj	125	°C
Lead Soldering Temperature*1	Tls	260	°C

*1: Time 5 Sec max, Position: Up to 3mm from the body.

Electrical & Optical Characteristics (Ta = 25°C)

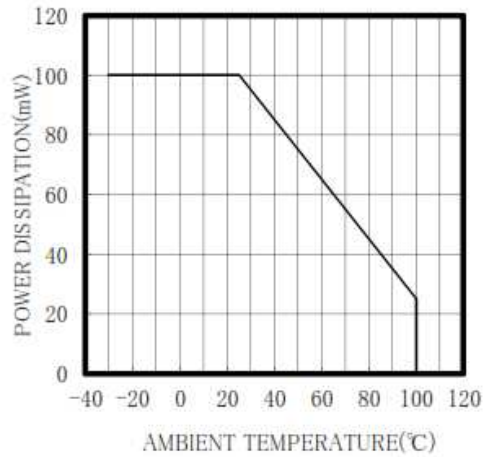
ITEMS	SYMBOL	CONDITIONS	MIN	TYP	MAX	UNIT
Light Current	I_L	*1, *2	--	120	--	μA
Dark Current	I_D	VR=10V	--	--	10	nA
Spectral Sensitivity	λ	--	400	--	1060	nm
Peak Sensitivity Wavelength	λ_p	--	--	900	--	nm
Responsivity	S	VR=0V, $\lambda=900$	--	0.58	--	A/W
Junction Capacitance	Cj	VR=2.5V, f=1MHz	--	6	12	pF

*1: Color Temperature=2870°K Standard Tungsten Lamp, *2: VR=10V, $E_e=5mW/cm^2$.

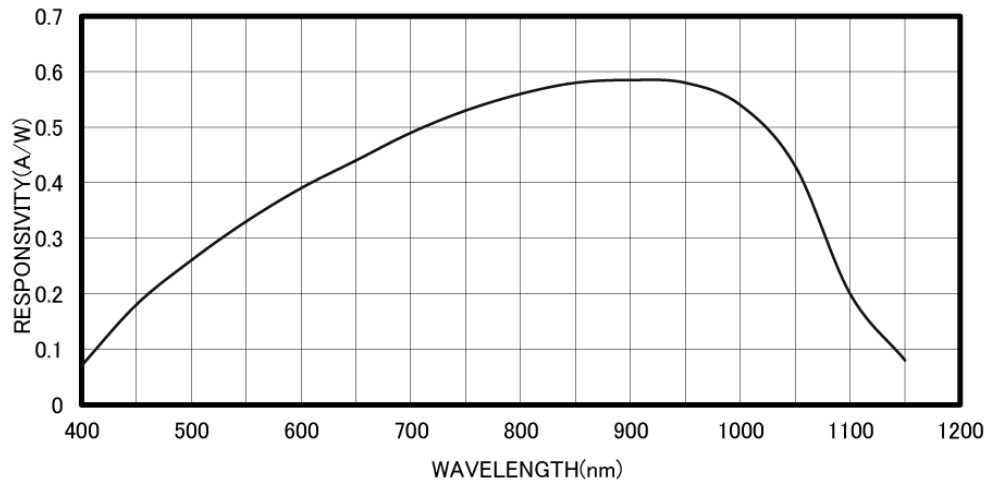


Unit: mm, Tolerance: ± 0.2

THERMAL DERATING CURVE



RESPONSIVITY



The information contained herein is subject to change without notice.

2018-02-12