



Chipsmall Limited consists of a professional team with an average of over 10 year of expertise in the distribution of electronic components. Based in Hongkong, we have already established firm and mutual-benefit business relationships with customers from,Europe,America and south Asia,supplying obsolete and hard-to-find components to meet their specific needs.

With the principle of “Quality Parts,Customers Priority,Honest Operation,and Considerate Service”,our business mainly focus on the distribution of electronic components. Line cards we deal with include Microchip,ALPS,ROHM,Xilinx,Pulse,ON,Everlight and Freescale. Main products comprise IC,Modules,Potentiometer,IC Socket,Relay,Connector.Our parts cover such applications as commercial,industrial, and automotives areas.

We are looking forward to setting up business relationship with you and hope to provide you with the best service and solution. Let us make a better world for our industry!



Contact us

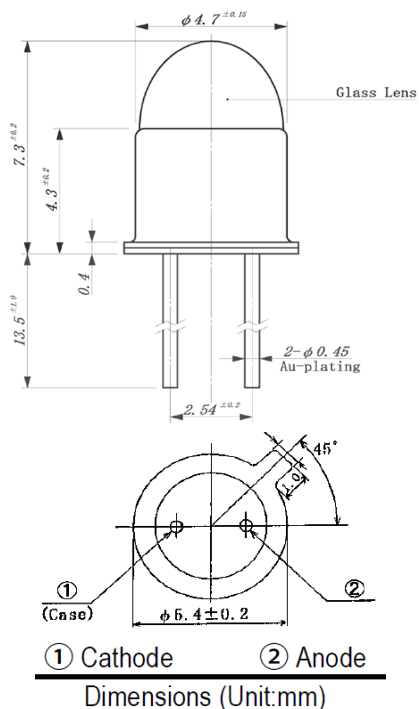
Tel: +86-755-8981 8866 Fax: +86-755-8427 6832

Email & Skype: info@chipsmall.com Web: www.chipsmall.com

Address: A1208, Overseas Decoration Building, #122 Zhenhua RD., Futian, Shenzhen, China



Peak Emission Wavelength: 1050nm



Description

- TO-46 with glass lens cap
- Type: InGaAs/InP, MQW
- High power
- High speed
- Narrow beam angle
- High reliability



Application

- Optical switches
- Optical communication
- Safety equipment
- Automation

Absolute Maximum Ratings (Ta=25°C)



ITEMS	TEST CONDITIONS	SYMBOL	RATINGS	UNIT
Forward DC Current		If	100	mA
Peak Forward Current (pulse)	t _≤ 50us, T = 100us	Ifp	200	mA
Reverse Voltage	I _r = 10uA	V _r	5	V
Power Dissipation		P _o	140	mW
Operating Temperature Range		T _{op}	-20 to +85	°C
Storage Temperature Range		T _{st}	-30 to +100	°C
Lead Soldering Temperature	t<5sec, 3mm from case	T _{slg}	260	°C
Junction Temperature		T _j	100	°C

Electrical & Optical Characteristics (Ta = 25°C)

ITEMS	SYMBOL	CONDITIONS	MIN	TYP	MAX	UNIT
Forward Voltage	Vf	If=20mA	--	1.15	1.4	V
Forward Voltage	Vf	If=50mA	--	1.2	1.45	V
Forward Voltage	Vf	If=100mA	--	1.25	1.5	V
Radiant Power	Φ_e	If=20mA	--	1.6	--	mW
Radiant Power	Φ_e	If=100mA	--	8	--	mW
Peak Wavelength	λ_p	If=20mA	1000	1050	1100	nm
Spectral Bandwidth	$\Delta\lambda_{0.5}$	If=20mA	--	50	--	nm
Viewing Angle	φ	If=20mA	--	6	--	deg
Switching Time	tr, tf	If=20mA	--	10	--	ns

Spectral Response

