



Chipsmall Limited consists of a professional team with an average of over 10 year of expertise in the distribution of electronic components. Based in Hongkong, we have already established firm and mutual-benefit business relationships with customers from,Europe,America and south Asia,supplying obsolete and hard-to-find components to meet their specific needs.

With the principle of “Quality Parts,Customers Priority,Honest Operation,and Considerate Service”,our business mainly focus on the distribution of electronic components. Line cards we deal with include Microchip,ALPS,ROHM,Xilinx,Pulse,ON,Everlight and Freescale. Main products comprise IC,Modules,Potentiometer,IC Socket,Relay,Connector.Our parts cover such applications as commercial,industrial, and automotives areas.

We are looking forward to setting up business relationship with you and hope to provide you with the best service and solution. Let us make a better world for our industry!



Contact us

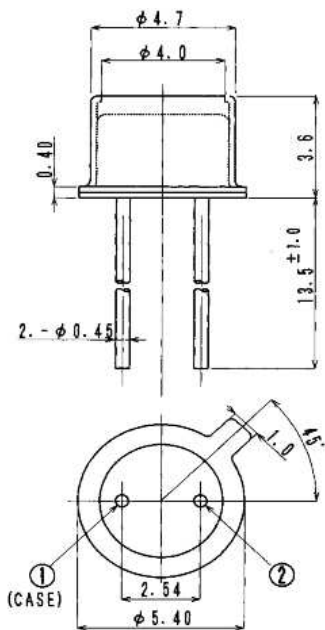
Tel: +86-755-8981 8866 Fax: +86-755-8427 6832

Email & Skype: info@chipsmall.com Web: www.chipsmall.com

Address: A1208, Overseas Decoration Building, #122 Zhenhua RD., Futian, Shenzhen, China



Peak Emission Wavelength: 1450nm



1- cathode, 2 -anode, all dimensions in mm,
tolerance: ± 0.2

Description

- TO-46 with flat glass lens cap
- Type: InGaAs/InP, MQW
- High power
- High speed
- Wide beam angle
- High reliability



Application

- Optical switches
- Optical communication
- Safety equipment
- Automation
- Applications requiring high output and precise optical / mechanical axis alignment.

Absolute Maximum Ratings ($T_a=25^\circ\text{C}$)



ITEMS	TEST CONDITIONS	SYMBOL	RATINGS	UNIT
Forward DC Current		If	100	mA
Peak Forward Current (pulse)	pulse width=10us, duty=1%	Ifp	1000	mA
Reverse Voltage	$I_r=100\mu\text{A}$	Vr	5	V
Power Dissipation		Pd	100	mW
Operating Temperature Range		Top	-25 to +85	$^\circ\text{C}$
Storage Temperature Range		Tst	-30 to +100	$^\circ\text{C}$
Lead Soldering Temperature	$t < 5\text{sec}$, 3mm from case	Tslg	260	$^\circ\text{C}$
Junction Temperature		Tj	100	$^\circ\text{C}$

Electrical & Optical Characteristics (Ta = 25°C)

ITEMS	SYMBOL	CONDITIONS	MIN	TYP	MAX	UNIT
Forward Voltage	Vf	If=20mA	--	0.75	--	V
Forward Voltage	Vf	If=50mA	--	0.80	1.1	V
Forward Voltage	Vf	If=100mA	--	0.85	--	V
Reverse Current	Ir	Vr=5V	--	100	--	uA
Radiant Power	Φ_e	If=20mA	--	1.3	--	mW
Radiant Power	Φ_e	If=50mA	--	2.9	--	mW
Radiant Power	Φ_e	If=100mA	--	4.6	--	mW
Peak Wavelength	λ_p	If=50mA	--	1450	--	nm
Spectral Bandwidth at 50%	$\Delta\lambda_{0.5}$	If=50mA	--	150	--	nm
Viewing Angle	ϕ	If=50mA	--	+/-40	--	deg