



Chipsmall Limited consists of a professional team with an average of over 10 year of expertise in the distribution of electronic components. Based in Hongkong, we have already established firm and mutual-benefit business relationships with customers from,Europe,America and south Asia,supplying obsolete and hard-to-find components to meet their specific needs.

With the principle of “Quality Parts,Customers Priority,Honest Operation,and Considerate Service”,our business mainly focus on the distribution of electronic components. Line cards we deal with include Microchip,ALPS,ROHM,Xilinx,Pulse,ON,Everlight and Freescale. Main products comprise IC,Modules,Potentiometer,IC Socket,Relay,Connector.Our parts cover such applications as commercial,industrial, and automotives areas.

We are looking forward to setting up business relationship with you and hope to provide you with the best service and solution. Let us make a better world for our industry!



Contact us

Tel: +86-755-8981 8866 Fax: +86-755-8427 6832

Email & Skype: info@chipsmall.com Web: www.chipsmall.com

Address: A1208, Overseas Decoration Building, #122 Zhenhua RD., Futian, Shenzhen, China



5200 Series SATA NAND Flash SSD

**MTFDDAK240T, MTFDDAK480T, MTFDDAK960T, MTFDDAK1T9T,
MTFDDAK3T8T, MTFDDAK7T6T**

Features

- Micron® 3D TLC NAND Flash
- Three performance/endurance levels
 - ECO
 - PRO
 - MAX
- TCG Enterprise compliant self-encrypting drive (SED)
- SATA 6 Gb/s interface
- ATA modes supported
 - PIO mode 3, 4
 - Multiword DMA mode 0, 1, 2
 - Ultra DMA mode 0, 1, 2, 3, 4, 5, 6
- 512-byte sector size support
- Hot-plug capable
- Native command queuing support with 32-command slot support
- ATA-8 ACS-3 revision 5 command set compliant
- ATA security feature command set and password login support
- Security erase command set: fast and secure erase
- Performance (steady state)¹
 - Sequential 128KB read: Up to 540 MB/s
 - Sequential 128KB write: Up to 520 MB/s
 - Random 4KB read: Up to 95,000 IOPS
 - Random 4KB write: Up to 75,000 IOPS
- Quality of Service²
 - Read/Write (99.9%): 200µs/300µs (<2TB)
 - Read/Write (99.999%): 1000µs/700µs (<2TB)
- Endurance⁴: Total bytes written (TBW)
 - Up to 17600TB

- Reliability
 - MTTF: 3.0 million device hours³
 - Static and dynamic wear leveling
 - Uncorrectable bit error rate (UBER): <1 sector per 10¹⁷ bits read
 - End-to-end data protection
 - Enhanced power-loss data protection with data protection capacitor monitoring
- Self-monitoring, analysis, and reporting technology (SMART) command set
- Capacity⁴ (unformatted): 240GB, 480GB, 960GB, 1920GB, 3840GB, 7680GB
- Mechanical:
 - 2.5-inch x 7.0mm form factor
- RoHS-compliant package
- Secure field-upgradeable firmware with digitally signed firmware image
- Power consumption: <6.0W (TYP, 5V only)
- Operating temperature
 - Commercial (0°C to 70°C)⁵

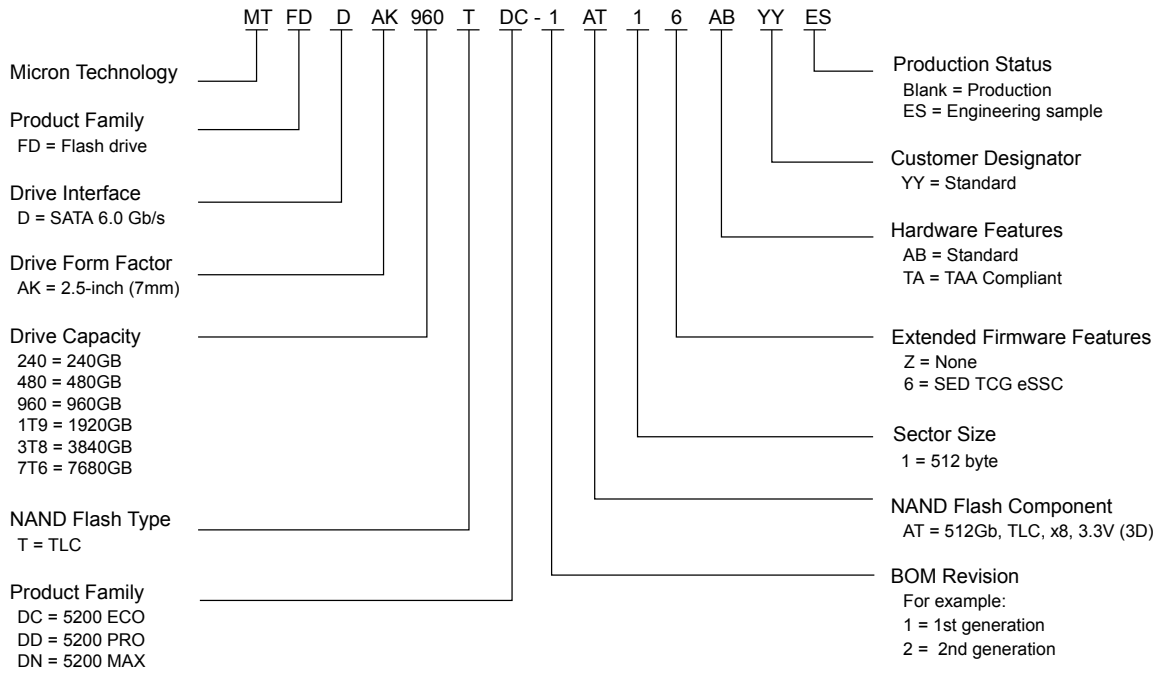
- Notes:
1. Performance varies by capacity and endurance.
 2. 4KB transfers QD = 1 used for READ/WRITE latency values.
 3. The product achieves a MTTF based on population statistics not relevant to individual units.
 4. 1GB = 1 billion bytes.
 5. As reported by SMART.

Warranty: Contact your Micron sales representative for further information regarding the product, including product warranties.

Part Numbering Information

Micron's 5200 SSD is available in different configurations and densities. The chart below is a comprehensive list of options for the 5200 series devices; not all options listed can be combined to define an offered product. Visit micron.com for a list of valid part numbers.

Figure 1: Part Number Chart



Important Notes and Warnings

Micron Technology, Inc. ("Micron") reserves the right to make changes to information published in this document, including without limitation specifications and product descriptions. This document supersedes and replaces all information supplied prior to the publication hereof. You may not rely on any information set forth in this document if you obtain the product described herein from any unauthorized distributor or other source not authorized by Micron.

Automotive Applications. Products are not designed or intended for use in automotive applications unless specifically designated by Micron as automotive-grade by their respective data sheets. Distributor and customer/distributor shall assume the sole risk and liability for and shall indemnify and hold Micron harmless against all claims, costs, damages, and expenses and reasonable attorneys' fees arising out of, directly or indirectly, any claim of product liability, personal injury, death, or property damage resulting directly or indirectly from any use of non-automotive-grade products in automotive applications. Customer/distributor shall ensure that the terms and conditions of sale between customer/distributor and any customer of distributor/customer (1) state that Micron products are not designed or intended for use in automotive applications unless specifically designated by Micron as automotive-grade by their respective data sheets and (2) require such customer of distributor/customer to indemnify and hold Micron harmless against all claims, costs, damages, and expenses and reasonable attorneys' fees arising out of, directly or indirectly, any claim of product liability, personal injury, death, or property damage resulting from any use of non-automotive-grade products in automotive applications.

Critical Applications. Products are not authorized for use in applications in which failure of the Micron component could result, directly or indirectly in death, personal injury, or severe property or environmental damage ("Critical Applications"). Customer must protect against death, personal injury, and severe property and environmental damage by incorporating safety design measures into customer's applications to ensure that failure of the Micron component will not result in such harms. Should customer or distributor purchase, use, or sell any Micron component for any critical application, customer and distributor shall indemnify and hold harmless Micron and its subsidiaries, subcontractors, and affiliates and the directors, officers, and employees of each against all claims, costs, damages, and expenses and reasonable attorneys' fees arising out of, directly or indirectly, any claim of product liability, personal injury, or death arising in any way out of such critical application, whether or not Micron or its subsidiaries, subcontractors, or affiliates were negligent in the design, manufacture, or warning of the Micron product.

Customer Responsibility. Customers are responsible for the design, manufacture, and operation of their systems, applications, and products using Micron products. ALL SEMICONDUCTOR PRODUCTS HAVE INHERENT FAILURE RATES AND LIMITED USEFUL LIVES. IT IS THE CUSTOMER'S SOLE RESPONSIBILITY TO DETERMINE WHETHER THE MICRON PRODUCT IS SUITABLE AND FIT FOR THE CUSTOMER'S SYSTEM, APPLICATION, OR PRODUCT. Customers must ensure that adequate design, manufacturing, and operating safeguards are included in customer's applications and products to eliminate the risk that personal injury, death, or severe property or environmental damages will result from failure of any semiconductor component.

Limited Warranty. In no event shall Micron be liable for any indirect, incidental, punitive, special or consequential damages (including without limitation lost profits, lost savings, business interruption, costs related to the removal or replacement of any products or rework charges) whether or not such damages are based on tort, warranty, breach of contract or other legal theory, unless explicitly stated in a written agreement executed by Micron's duly authorized representative.

General Description

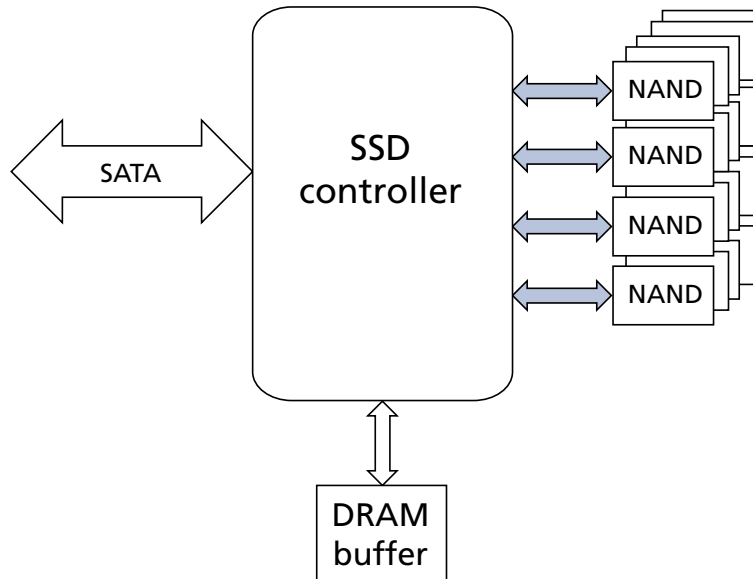
Micron's 5200 solid state drive (SSD) uses a single-chip controller with a SATA interface on the system side and four channels of Micron NAND Flash internally. Available in the 2.5-inch form factor, the SSD integrates easily in existing storage infrastructures.

The SSD is designed to use the SATA interface efficiently during both READs and WRITEs while delivering bandwidth-focused performance. SSD technology enables enhanced boot times, faster application load times, reduced power consumption and extended reliability.

The self-encrypting drive (SED) features an AES-256 encryption engine, providing hardware-based, secure data encryption, with no loss of SSD performance. This SED follows the TCG Enterprise specification for trusted peripherals. When TCG Enterprise features are not enabled, the device can perform alternate data encryption by invoking the ATA security command set encryption features, to provide full disk encryption (FDE) managed in the host system BIOS. TCG Enterprise and ATA security feature sets cannot be enabled simultaneously.

The data encryption is always running; however, encryption keys are not managed and the data is not secure until either TCG Enterprise or ATA security feature sets are enabled.

Figure 2: Functional Block Diagram



Performance

Measured performance can vary for a number of reasons. The major factors affecting drive performance are the capacity of the drive and the interface/HBA of the host. Additionally, overall system performance can affect the measured drive performance. When comparing drives, it is recommended that all system variables are the same, and only the drive being tested varies.

Performance numbers will vary depending on the host system configuration. Performance is measured using a single drive directly attached (no RAID) to an integrated SATA controller.

Table 1: Drive Performance – ECO

Parameter	Capacity					Unit
	480GB	960GB	1920GB	3840GB	7680GB	
Sequential read (128KB transfer)	540	540	540	540	540	MB/s
Sequential write (128KB transfer)	385	520	520	520	520	MB/s
Random read (4KB transfer)	81,000	95,000	95,000	95,000	95,000	IOPS
Random write (4KB transfer)	33,000	28,000	22,000	17,000	9500	IOPS
Random 70/30 R/W (4KB transfer)	43,000	49,000	42,000	46,000	26,000	IOPS
READ latency (99.9%)	200	200	200	200	200	µs
WRITE latency (99.9%)	300	300	300	500	900	µs
READ latency (99.999%)	1000	1000	1000	1000	1000	µs
WRITE latency (99.999%)	700	700	700	10,000	18,000	µs

- Notes:
1. Performance measured using FIO with a queue depth of 32 in the steady state region.
 2. 4KB transfers with a queue depth of 1 are used to measure READ/WRITE latency values.
 3. System variations and HBA used will affect measured results.

Table 2: Drive Performance – PRO

Parameter	Capacity			Unit
	960GB	1920GB	3840GB	
Sequential read (128KB transfer)	540	540	540	MB/s
Sequential write (128KB transfer)	520	520	520	MB/s
Random read (4KB transfer)	95,000	95,000	95,000	IOPS
Random write (4KB transfer)	32,000	32,000	24,500	IOPS
Random 70/30 R/W (4KB transfer)	53,000	53,000	57,000	IOPS
READ latency (99.9%)	200	200	200	µs
WRITE latency (99.9%)	300	300	900	µs
READ latency (99.999%)	1000	1000	2000	µs
WRITE latency (99.999%)	700	700	18,000	µs

- Notes:
1. Performance measured using FIO with a queue depth of 32 in the steady state region.
 2. 4KB transfers with a queue depth of 1 are used to measure READ/WRITE latency values.
 3. System variations and HBA used will affect measured results.

Table 3: Drive Performance – MAX

Parameter	Capacity				Unit
	240GB	480GB	960GB	1920GB	
Sequential read (128KB transfer)	540	540	540	540	MB/s
Sequential write (128KB transfer)	310	460	520	520	MB/s
Random read (4KB transfer)	81,000	93,000	95,000	95,000	IOPS
Random write (4KB transfer)	53,000	70,000	75,000	70,000	IOPS
Random 70/30 R/W (4KB transfer)	55,000	60,000	70,000	66,000	IOPS
READ latency (99.9%)	200	200	200	200	µs
WRITE latency (99.9%)	300	300	300	300	µs
READ latency (99.999%)	2000	1000	1000	1000	µs
WRITE latency (99.999%)	700	700	700	700	µs

- Notes:
1. Performance measured using FIO with a queue depth of 32 in the steady state region.
 2. 4KB transfers with a queue depth of 1 are used to measure READ/WRITE latency values.
 3. System variations and HBA used will affect measured results.



Logical Block Address Configuration

The drive is set to report the number of logical block addresses (LBAs) that will ensure sufficient storage space for the specified capacity. Standard LBA settings, based on the IDEMA standard (LBA1-03), are shown below.

Table 4: Standard LBA Settings – 512-Byte Sector Size

Capacity	Total LBA		Max LBA		User Available Bytes
	Decimal	Hexadecimal	Decimal	Hexadecimal	(Unformatted)
240GB	468,862,128	1BF244B0	468,862,127	1BF244AF	240,057,409,536
480GB	937,703,088	37E436B0	937,703,087	37E436AF	480,103,981,056
960GB	1,875,385,008	6FC81AB0	1,875,385,007	6FC81AAF	960,197,124,096
1920GB	3,750,748,848	DF8FE2B0	3,750,748,847	DF8FE2AF	1,920,383,410,176
3840GB	7,501,476,528	1BF1F72B0	7,501,476,527	1BF1F72AF	3,840,755,982,336
7680GB	15,002,931,888	37E3E92B0	15,002,931,887	37E3E92AF	7,681,501,126,656

Reliability

Micron’s SSDs incorporate advanced technology for defect and error management. They use various combinations of hardware-based error correction algorithms and firmware-based static and dynamic wear-leveling algorithms.

Over the life of the SSD, uncorrectable errors may occur. An uncorrectable error is defined as data that is reported as successfully programmed to the SSD but is unable to be later read back without error.

Table 5: Uncorrectable Bit Error Rate

Uncorrectable Bit Error Rate	Operation
<1 sector per 10 ¹⁷ bits	READ

Mean Time to Failure

Mean time to failure (MTTF) for the SSD can be predicted based on the component reliability data using the methods referenced in the Telcordia SR-332 reliability prediction procedures for electronic equipment.

Table 6: MTTF

Capacity	MTTF (Operating Hours)
All capacities	3.0 million

Note: 1. The product achieves a MTTF of 3.0 million hours based on population statistics not relevant to individual units.

Endurance

Endurance for the SSD can be predicted based on the usage conditions applied to the device, the internal NAND component cycles, the write amplification factor, and the wear-leveling efficiency of the drive. Total bytes written measured with 55°C case temperature within the total bytes written values listed in this document. The table below shows the drive lifetime for each SSD capacity based on predefined usage conditions.

Table 7: Drive Lifetime

Capacity	Drive Lifetime (Total Bytes Written)			Unit
	ECO	PRO	MAX	
240GB	–	–	2200	TB
480GB	870	–	4380	
960GB	1750	2270	8760	
1920GB	3500	5950	17520	
3840GB	7700	17600	–	
7680GB	8400	–	–	

- Notes:
1. Total bytes written were calculated assuming drive is 100% full (user capacity) and a workload of 100% random, aligned 4KB writes.
 2. 1TB = 1,000,000,000,000

Electrical Characteristics

Stresses greater than those listed may cause permanent damage to the device. This is a stress rating only, and functional operation of the device at these or any other conditions above those indicated in the operational sections of this specification is not implied. Exposure to absolute maximum rating conditions for extended periods may affect reliability.

Table 8: SATA Power Consumption (5V Only) – 2.5-inch

Capacity	Idle Average	Sequential Write (128KB transfer)	Sequential Read (128KB transfer)
240GB	1.5W	3.0W	2.5W
480GB	1.5W	3.1W	2.5W
960GB	1.5W	3.4W	2.8W
1920GB	1.5W	3.6W	3.0W
3840GB	1.5W	3.3W	2.5W
7680GB	1.5W	3.3W	2.5W

- Notes: 1. Data taken at 25°C using a 6 Gb/s SATA interface.
2. Sequential power measured during FIO with 128KB transfer, RMS average over a 500ms window.

Table 9: Maximum Ratings

Parameter/Condition	Symbol	Min	Max	Unit
Voltage input (2.5-inch) ¹	V12	10.8	13.2	V
	V5	4.5	5.5	V
Operating temperature ²	T _C	0	70	°C
Non-operating temperature	–	–40	85	°C
Rate of temperature change	–	–	20	°C/hour
Relative humidity (non-condensing)	–	5	95	%

- Notes: 1. 5V supply required; 12V supply optional
2. Based upon drive temperature reported by SMART

Table 10: Shock and Vibration

Parameter/Condition	Specification
Non-operating shock	1500G/0.5ms
Rotary vibration, non-operating	5–800Hz at 3.13 Grms

Device ID

Table 11: Identify Device

See Note 1 for setting definitions

Word	Bit(s)	Setting	Default Value	Description
0	–	–	–	General configuration bit-significant information
	15	F	0b	0 = ATA device
	14–8	X	0000100b	Retired
	7–6	X	01b	Obsolete
	5–3	X	000b	Retired
	2	V	0b	Response incomplete
	1	X	0b	Retired
	0	F	0b	Reserved
1	–	X	3FFFh	Obsolete
2	–	F	C837h	Specific configuration
3	–	X	0010h	Obsolete
4–5	–	X	0000h 0000h	Retired
6	–	X	003Fh	Obsolete
7–8	–	V	0000h 0000h	Reserved for assignment by the CompactFlash™ Association
9	–	X	0000h	Retired
10–19	–	F	Varies	Serial number (20 ASCII characters)
20–22	–	X	0000h 0000h 0000h	Retired/obsolete
23–26	–	F	Varies	Firmware revision (8 ASCII characters)
27–46	–	F	Varies	Model number (40 ASCII characters)
47	15–8	F	80h	80h
	7–0	F	10h	00h = Reserved 01h–FFh = Maximum number of logical sectors that shall be transferred per DRQ data block on READ/WRITE MULTIPLE commands
48	–	–	–	Trusted Computing feature set options
	15	F	0b	Shall be cleared to zero
	14	F	1b	Shall be set to one
	13–1	F	0000000000000b	Reserved for the Trusted Computing Group
	0	F	0b/1b	1 = Trusted Computing feature set is supported This bit will be 1 for TCG drives, otherwise 0

Table 11: Identify Device (Continued)

See Note 1 for setting definitions

Word	Bit(s)	Setting	Default Value	Description
49	–	–	–	Capabilities
	15–14	F	00b	Reserved for the IDENTIFY PACKET DEVICE command
	13	F	1b	1 = Standby timer values as specified in this standard are supported 0 = Standby timer values shall be managed by the device
	12	F	0b	Reserved for the IDENTIFY PACKET DEVICE command
	11	F	1b	1 = IORDY is supported 0 = IORDY may be supported
	10	F	1b	1 = IORDY may be disabled
	9	F	1b	1 = LBA is supported
	8	F	1b	1 = DMA is supported
	7–2	F	000000b	Reserved
	1–0	V	00b	Long physical sector alignment error reporting
50	–	–	–	Capabilities
	15	F	0b	Shall be cleared to zero
	14	F	1b	Shall be set to one
	13–2	F	000000000000b	Reserved
	1	X	0b	Obsolete
	0	F	1b	Shall be set to one to indicate a vendor-specific standby timer value minimum
51–52	–	X	0000h 0000h	Obsolete
53	15–8	V	00h	Free-fall control sensitivity: 00h = Vendor's recommended setting 01h–FFh = Sensitivity level
	7–3	F	00000b	Reserved
	2	F	1b	1 = The fields reported in word 88 are valid 0 = The fields reported in word 88 are not valid
	1	F	1b	1 = The fields reported in words (70:64) are valid 0 = the fields reported in words (70:64) are not valid
	0	X	0b	Obsolete
54–58	–	X	3FFFh 0010h 003Fh FC10h 00FBh	Obsolete

Table 11: Identify Device (Continued)

See Note 1 for setting definitions

Word	Bit(s)	Setting	Default Value	Description
59	15	F	1b	1 = The BLOCK ERASE EXT command is supported
	14	F	1b	1 = The OVERWRITE EXT command is supported
	13	F	1b	1 = The CRYPTO SCRAMBLE EXT command is supported
	12	F	1b	1 = The sanitize feature set is supported
	11	F	1b	1 = The commands allowed during a sanitize operation are specified by ACS-3
	10	F	1b	The SANITIZE ANTIFREEZE LOCK EXT command is supported
	9	F	0b	Reserved
	8	V	1b	1 = Multiple sector settings are valid
	7-0	V	00010000b	xxh = Current setting for number of logical sectors that shall be transferred per DRQ data block on READ/WRITE MULTIPLE commands
60-61	-	F	FFFFh 0FFFh	Total number of user addressable logical sectors for 28-bit commands
62	-	X	0000h	Obsolete
63	15-11	F	00000b	Reserved
	10	V	0b	1 = Multiword DMA mode 2 is selected 0 = Multiword DMA mode 2 is not selected
	9	V	0b	1 = Multiword DMA mode 1 is selected 0 = Multiword DMA mode 1 is not selected
	8	V	0b	1 = Multiword DMA mode 0 is selected 0 = Multiword DMA mode 0 is not selected
	7-3	F	00000b	Reserved
	2	F	1b	1 = Multiword DMA mode 2 and below are supported
	1	F	1b	1 = Multiword DMA mode 1 and below are supported
	0	F	1b	1 = Multiword DMA mode 0 is supported
64	15-2	F	000000000000000b	Reserved
	1	F	1b	PIO mode 4 supported
	0	F	1b	PIO mode 3 supported
65	-	F	0078h	Minimum Multiword DMA transfer cycle time per word Cycle time in nanoseconds
66	-	F	0078h	Manufacturer's recommended Multiword DMA transfer cycle time Cycle time in nanoseconds
67	-	F	0078h	Minimum PIO transfer cycle time without flow control Cycle time in nanoseconds
68	-	F	0078h	Minimum PIO transfer cycle time with IORDY flow control Cycle time in nanoseconds

Table 11: Identify Device (Continued)

See Note 1 for setting definitions

Word	Bit(s)	Setting	Default Value	Description
69	–	F	–	Additional supported
	15	F	0b	Reserved for CFA
	14	F	1b	1 = Deterministic read after trim is supported
	13	F	0b	1 = Long physical sector alignment error reporting control is supported
	12	X	0b	Obsolete
	11	F	1b	1 = READ BUFFER DMA is supported
	10	F	1b	1 = WRITE BUFFER DMA is supported
	9	X	0b	Obsolete
	8	F	1b	1 = DOWNLOAD MICROCODE DMA is supported
	7	F	0b	Reserved for IEEE-1667
	6	F	0b	0 = Optional ATA device 28-bit commands are supported
	5	F	1b	1 = Read zero after trim is supported
	4	F	0b/1b	1 = Device encrypts all user data This bit will be 1 for TCG drives, otherwise 0
	3	F	0b	1 = Extended number of user addressable sectors is supported (words 230 – 233)
	2	F	0b	All write cache is nonvolatile
1–0	–	–	00b Reserved	
70	–	F	0000h	Reserved
71–74	–	F	0000h 0000h 0000h 0000h	Reserved for the IDENTIFY PACKET DEVICE command
75	–	–	–	Queue depth
	15–5	F	00000000000b	Reserved
	4–0	F	11111b	Maximum queue depth - 1

Table 11: Identify Device (Continued)

See Note 1 for setting definitions

Word	Bit(s)	Setting	Default Value	Description
76	–	–	–	Serial ATA capabilities
	15	F	1b	1 = Supports READ LOG DMA EXT as equivalent to READ LOG EXT
	14	F	0b	1 = Supports Device automatic partial to slumber transitions
	13	F	0b	1 = Supports host automatic partial to slumber transitions
	12	F	1b	Native command queuing priority information is supported
	11	F	0b	Unload while NCQ commands are outstanding is supported
	10	F	1b	SATA physical event counter log is supported
	9	F	0b	1 = Receipt of host-initiated interface power management requests is supported
	8	F	1b	Native command queuing is supported
	7–4	F	0000b	Reserved for future Serial ATA signaling speed grades
	3	F	1b	1 = Serial ATA Gen-3 speed (6.0 Gb/s) is supported
	2	F	1b	1 = Serial ATA Gen-2 speed (3.0 Gb/s) is supported
	1	F	1b	1 = Serial ATA Gen-1 speed (1.5 Gb/s) is supported
	0	F	0b	Reserved (set to 0)
77	–	–	–	Serial ATA additional capabilities
	15–7	–	00000000b	Reserved for Serial ATA
	6	F	0b	1 = Supports RECEIVE FPDMA QUEUED and SEND FPDMA QUEUED commands
	5	F	0b	NCQ QUEUE MANAGEMENT command is supported
	4	F	0b	NCQ streaming is supported
	3–1	V	Varies	Coded value indicating current negotiated Serial ATA signal speed
	0	F	0b	Shall be cleared to zero
78	–	–	–	Serial ATA features are supported
	15–8	–	00000000b	Reserved for Serial ATA
	7	F	0b	1 = Device supports NCQ autosense
	6	F	1b	1 = Supports software settings preservation
	5	F	0b	1 = Device supports hardware feature control
	4	F	0b	1 = In-order data delivery is supported
	3	F	0b	1 = Device-initiated interface power management is supported
	2	F	1b	1 = DMA setup auto-activate optimization is supported
	1	F	0b	1 = Non-zero buffer offsets in DMA setup FIS are supported
	0	F	0b	Reserved (set to 0)

Table 11: Identify Device (Continued)

See Note 1 for setting definitions

Word	Bit(s)	Setting	Default Value	Description
79	–	–	–	Serial ATA features are enabled
	15–8	–	00000000b	Reserved for Serial ATA
	7	V	0b	1 = Automatic partial to slumber transitions are enabled
	6	V	1b	1 = Software settings preservation is enabled
	5	V	0b	1 = Hardware feature control is enabled
	4	V	0b	1 = In-order data delivery is enabled
	3	V	0b	1 = Device-initiated interface power management is enabled
	2	V	0b	1 = DMA setup auto-activate optimization is enabled
	1	V	0b	1 = Non-zero buffer offsets in DMA setup FIS is enabled
	0	V	0b	Reserved (set to 0)
80	–	–	–	Major revision number
	15–12	F	0000b	Reserved
	11	F	0b	1 = ATA8-ACS4 is supported
	10	F	1b	1 = ATA8-ACS3 is supported
	9	F	1b	1 = ATA8-ACS2 is supported
	8	F	1b	1 = ATA8-ACS is supported
	7	F	1b	1 = ATA/ATAPI-7 is supported
	6	F	1b	1 = ATA/ATAPI-6 is supported
	5	F	1b	1 = ATA/ATAPI-5 is supported
	4–1	X	1100b	Obsolete
	0	–	0b	Reserved
81	–	F	006Dh	Minor revision number
82	–	–	–	Command and feature sets are supported
	15	X	0b	Obsolete
	14	F	1b	1 = NOP command is supported
	13	F	1b	1 = READ BUFFER command is supported
	12	F	1b	1 = WRITE BUFFER command is supported
	11–10	X	00b	Obsolete
	9	F	0b	1 = DEVICE RESET command is supported
	8–7	X	00b	Obsolete
	6	F	1b	1 = Read look-ahead is supported
	5	F	1b	1 = Write cache is supported
	4	F	0b	Shall be cleared to zero to indicate that the packet feature set is not supported
	3	F	1b	1 = Mandatory power management feature set is supported
	2	X	0b	Obsolete
	1	F	1b	1 = Security feature set is supported
0	F	1b	1 = SMART feature set is supported	

Table 11: Identify Device (Continued)

See Note 1 for setting definitions

Word	Bit(s)	Setting	Default Value	Description
83	–	–	–	Command and feature sets are supported
	15	F	0b	Shall be cleared to zero
	14	F	1b	Shall be set to one
	13	F	1b	1 = FLUSH CACHE EXT command is supported
	12	F	1b	1 = Mandatory FLUSH CACHE command is supported
	11	X	0b	Obsolete
	10	F	1b	1 = 48-bit address feature set is supported
	9–7	X	000b	Obsolete
	6	F	0b	1 = SET FEATURES subcommand required to spin-up after power-up
	5	F	0b	1 = Power-up in standby feature set is supported
	4	X	0b	Obsolete
	3	F	1b	1 = Advanced power management feature set is supported
	2	F	0b	Reserved for CFA
	1	X	0b	Obsolete
	0	F	1b	1 = DOWNLOAD MICROCODE command is supported
84	–	–	–	Command and feature sets are supported
	15	F	0b	Shall be cleared to zero
	14	F	1b	Shall be set to one
	13	F	1b	1 = Idle immediate with unload feature is supported
	12	F	0b	Reserved for technical report INCITS TR-37-2004 (TLC)
	11	F	0b	Reserved for technical report INCITS TR-37-2004 (TLC)
	10–9	X	00b	Obsolete
	8	F	1b	1 = 64-bit word wide name is supported
	7	X	0b	Obsolete
	6	F	1b	1 = WRITE DMA FUA EXT and WRITE MULTIPLE FUA EXT commands are supported
	5	F	1b	1 = General purpose logging feature set is supported
	4	F	0b	1 = Streaming feature set is supported
	3	X	0b	Obsolete
	2	–	0b	Reserved
	1	F	1b	1 = SMART self-test is supported
0	F	1b	1 = SMART error logging is supported	

Table 11: Identify Device (Continued)

See Note 1 for setting definitions

Word	Bit(s)	Setting	Default Value	Description
85	–	–	–	Command and feature sets are supported or enabled
	15	X	0b	Obsolete
	14	F	1b	1 = NOP command is supported
	13	F	1b	1 = READ BUFFER command is supported
	12	F	1b	1 = WRITE BUFFER command is supported
	11–10	X	00b	Obsolete
	9	F	0b	1 = DEVICE RESET command is supported
	8–7	X	00b	Obsolete
	6	V	1b	1 = Read look-ahead is enabled
	5	V	1b	1 = Write cache is enabled
	4	F	0b	Shall be cleared to zero to indicate that the packet feature set is not supported
	3	F	1b	Mandatory power management feature set is supported
	2	X	0b	Obsolete
	1	V	0b	1 = Security feature set is enabled
	0	V	1b	1 = SMART feature set is enabled
86	–	–	–	Command and feature sets are supported or enabled
	15	–	1b	1 = Words 120-119 are valid
	14	X	0b	Reserved
	13	F	1b	1 = FLUSH CACHE EXT command is supported
	12	F	1b	1 = FLUSH CACHE command is supported
	11	X	0b	Obsolete
	10	F	1b	1 = 48-bit address feature set is supported
	9–7	X	000b	Obsolete
	6	F	0b	1 = SET FEATURES subcommand required to spin-up after power-up
	5	V	0b	1 = Power-up in standby feature set is enabled
	4	X	0b	Obsolete
	3	V	1b	1 = Advanced power management feature set is enabled
	2	X	0b	Reserved for CFA
	1	X	0b	Obsolete
	0	F	1b	1 = DOWNLOAD MICROCODE command is supported

Table 11: Identify Device (Continued)

See Note 1 for setting definitions

Word	Bit(s)	Setting	Default Value	Description
87	–	–	–	Command and feature sets are supported or enabled
	15	F	0b	Shall be cleared to zero
	14	F	1b	Shall be set to one
	13	F	1b	1 = IDLE IMMEDIATE with UNLOAD FEATURE is supported
	12–9	X	0000b	Obsolete
	8	F	1b	1 = 64-bit word wide name is supported
	7	X	0b	Obsolete
	6	F	1b	1 = WRITE DMA FUA EXT and WRITE MULTIPLE FUA EXT commands are supported
	5	F	1b	1 = General purpose logging feature set is supported
	4–3	X	00b	Obsolete
	2	V	0b	1 = Media serial number is valid
	1	F	1b	1 = SMART self-test is supported
	0	F	1b	1 = SMART error logging is supported
88	–	–	0b	Ultra DMA modes
	15	–	0b	Reserved
	14	V	0b	1 = Ultra DMA mode 6 is selected 0 = Ultra DMA mode 6 is not selected
	13	V	0b	1 = Ultra DMA mode 5 is selected 0 = Ultra DMA mode 5 is not selected
	12	V	0b	1 = Ultra DMA mode 4 is selected 0 = Ultra DMA mode 4 is not selected
	11	V	0b	1 = Ultra DMA mode 3 is selected 0 = Ultra DMA mode 3 is not selected
	10	V	0b	1 = Ultra DMA mode 2 is selected 0 = Ultra DMA mode 2 is not selected
	9	V	0b	1 = Ultra DMA mode 1 is selected 0 = Ultra DMA mode 1 is not selected
	8	V	0b	1 = Ultra DMA mode 0 is selected 0 = Ultra DMA mode 0 is not selected
	7	–	0b	Reserved
	6	V	1b	1 = Ultra DMA mode 6 and below are supported
	5	V	1b	1 = Ultra DMA mode 5 and below are supported
	4	V	1b	1 = Ultra DMA mode 4 and below are supported
	3	V	1b	1 = Ultra DMA mode 3 and below are supported
	2	V	1b	1 = Ultra DMA mode 2 and below are supported
	1	V	1b	1 = Ultra DMA mode 1 and below are supported
0	V	1b	1 = Ultra DMA mode 0 is supported	
89	–	F	0002h	Time required for security erase unit completion

Table 11: Identify Device (Continued)

See Note 1 for setting definitions

Word	Bit(s)	Setting	Default Value	Description
90	–	F	0002h	Time required for enhanced security erase completion
91	–	V	00FEh	Current advanced power management value
92	–	V	FFFEh	Master password revision code
93	–	–	0000h	Hardware reset results; set to 0000h for SATA devices
94	–	X	0000h	Obsolete
95	–	F	0000h	Stream minimum request size
96	–	V	0000h	Streaming transfer time - DMA
97	–	V	0000h	Streaming access latency - DMA and PIO
98–99	–	F	0000h 0000h	Streaming performance granularity (98-99)
100–103	–	V	Varies by capacity	Maximum user LBA for 48-bit address feature set
104	–	V	0000h	Streaming transfer time - PIO
105	–	F	0008h	Maximum number of 512-byte blocks of LBA range entries per DATA SET MANAGEMENT command
106	–	–	–	Physical sector size/logical sector size
	15	F	0b	Shall be cleared to zero
	14	F	1b	Shall be set to one
	13	F	1b	1 = Device has multiple logical sectors per physical sector
	12	F	0b	1 = Device logical sector longer than 256 Words
	11–4	F	00000000b	Reserved
	3–0	F	Varies	Logical sectors per physical sector
107	–	F	0000h	Inter-seek delay for ISO-7779 acoustic testing in microseconds
108	15–12	F	0101b	NAA (3-0)
	11–0	–	000000001010b	IEEE OUI (23-12)
109	15–4	F	000001110101b	IEEE OUI (11-0)
	3–0	–	Varies	Unique ID (35-32)
110	–	F	Varies	5-0 unique ID (31-16)
111	–	F	Varies	Unique ID (15-0)
112–115	–	F	0000h 0000h 0000h 0000h	Reserved for 128-bit world wide name extension to 128 bits
116	–	X	0000h	Obsolete
117–118	–	F	0000h 0000h	Words per logical sector

Table 11: Identify Device (Continued)

See Note 1 for setting definitions

Word	Bit(s)	Setting	Default Value	Description
119	–	–	–	Command and feature sets are supported (continued from words 84-82)
	15	F	0b	Shall be cleared to zero
	14	F	1b	Shall be set to one
	13–10	F	0000b	Reserved
	9	F	0b	1 = DSN feature set is supported
	8	F	1b	1 = Accessible maximum address configuration feature set is supported
	7	F	0b	1 = Extended power conditions feature set is supported
	6	F	0b	1 = Sense data reporting feature set is supported
	5	F	0b	1 = Free-fall control feature set is supported
	4	F	1b	1 = DOWNLOAD MICROCODE command with mode 3 supported
	3	F	1b	1 = READ LOG DMA EXT and WRITE LOG DMA EXT commands supported
	2	F	1b	1 = Write uncorrectable EXT command is supported
	1	F	1b	1 = Write-read-verify feature set is supported
	0	X	0b	Obsolete
120	–	–	–	Commands and feature sets are supported or enabled (continued from words 87-85)
	15	–	0b	Shall be cleared to zero
	14	–	1b	Shall be set to one
	13–10	–	0000b	Reserved
	9	–	0b	DSN feature set is enabled
	8	–	0b	Reserved
	7	–	0b	1 = Extended power conditions feature set is enabled
	6	–	0b	1 = Sense data reporting feature set is enabled
	5	–	0b	1 = Free-fall control feature set is enabled
	4	F	1b	1 = The DOWNLOAD MICROCODE command with mode 3 is supported
	3	F	1b	1 = The READ LOG DMA EXT and WRITE LOG DMA EXT commands are supported
	2	F	1b	1 = The WRITE UNCORRECTABLE EXT command is supported
	1	V	0b	1 = The write-read-verify feature set is enabled
	0	X	0b	Obsolete
121–126	–	F	0000h 0000h 0000h 0000h 0000h 0000h	Reserved for expanded supported and enabled settings
127	–	X	0000h	Obsolete

Table 11: Identify Device (Continued)

See Note 1 for setting definitions

Word	Bit(s)	Setting	Default Value	Description
128	–	–	–	Security status
	15–9	F	0000000b	Reserved
	8	V	0b	Master password capability: 0 = High, 1 = Maximum
	7–6	F	00b	Reserved
	5	F	1b	1 = Enhanced security erase is supported
	4	V	0b	1 = Security count is expired
	3	V	0b	1 = Security is frozen
	2	V	0b	1 = Security is locked
	1	V	0b	1 = Security is enabled
0	F	1b	1 = Security is supported	
129–159	–	X	Vendor-specific data	Vendor specific
160–167	–	–	0000h 0000h 0000h 0000h 0000h 0000h 0000h 0000h	Reserved for the CompactFlash Association
168	15–4	F	000h	Reserved
	3–0	F	Varies	Device nominal form factor; 3h = 2.5", 7h = M.2
169	–	–	–	DATA SET MANAGEMENT command support
	15–1	F	000000000000000b	Reserved
0	F	1b	1 = The trim bit in the DATA SET MANAGEMENT command is supported	
170–173	–	F	0000h 0000h 0000h 0000h	Additional product identifier
174–175	–	F	0000h 0000h	Reserved
176–205	–	V	Varies	Current media serial number (60 ASCII characters)
206	–	–	–	SCT command transport
	15–12	X	0000b	Vendor-specific
	11–6	F	000000b	Reserved
	5	F	1b	1 = The SCT Data Tables command is supported
	4	F	1b	1 = The SCT Feature Control command is supported
	3	F	0b	1 = The SCT Error Recovery Control command is supported
	2	F	1b	1 = The SCT Write Same command is supported
	1	X	0b	Obsolete
0	F	1b	1 = The SCT Command Transport is supported	
207–208	–	–	0000h 0000h	Reserved

Table 11: Identify Device (Continued)

See Note 1 for setting definitions

Word	Bit(s)	Setting	Default Value	Description
209	–	–	–	Alignment of logical blocks within a larger physical block
	15	F	0b	Shall be cleared to zero
	14	F	1b	Shall be set to one
	13–0	F	00000000000000b	Logical sector offset within the first physical sector where the first logical sector is placed
210–211	–	V	0000h 0000h	Write-read-verify sector count mode 3
212–213	–	F	0000h 0001h	Write-read-verify sector count mode 2
214–216	–	X	0000h 0000h 0000h	Obsolete
217	–	F	0001h	Nominal media rotation rate (non-rotating media)
218	–	–	0000h	Reserved
219	–	X	0000h	Obsolete
220	15–8	F	00h	Reserved
	7–0	V	00h	Write-read-verify feature set current mode
221	–	–	0000h	Reserved
222	–	–	–	Transport major revision number. 0000h or FFFFh = Device does not report version
	15–12	F	0001b	Transport type: 0h = Parallel, 1h = Serial, Eh = PCIe, All others = Reserved
	11–8	–	0000b	Reserved
	7	F	1b	1 = SATA rev 3.2 is supported
	6	F	1b	1 = SATA rev 3.1 is supported
	5	F	1b	1 = SATA rev 3.0 is supported
	4	F	1b	1 = SATA rev 2.6 is supported
	3	F	1b	1 = SATA rev 2.5 is supported
	2	F	1b	1 = SATA II: Extensions are supported
	1	F	1b	1 = SATA rev 1.0a is supported
0	F	1b	1 = ATA8-AST is supported	
223	–	F	0000h	Transport minor revision number
224–229	–	F	0000h 0000h 0000h 0000h 0000h 0000h	Reserved
230–233	–	–	0000h 0000h 0000h 0000h	Extended number of user-addressable sectors
234	–	F	0001h	Minimum number of 512-byte units per DOWNLOAD MICRO-CODE command for mode 3
235	–	F	0FFFh	Maximum number of 512-byte units per DOWNLOAD MICRO-CODE command for mode 3
236–242	–	–	0000h 0000h 0000h 0000h 0000h 0000h 0000h	Reserved

Table 11: Identify Device (Continued)

See Note 1 for setting definitions

Word	Bit(s)	Setting	Default Value	Description
243	15	–	0b	Reserved
	14	F	0b/1b	1 = FDE security features supported This bit will be 1 for TCG drives, otherwise 0.
	13–0	–	00000000000000b	Reserved
244–254	–	–	0000h 0000h 0000h 0000h 0000h 0000h 0000h 0000h 0000h 0000h 0000h	
255	–	F	–	Integrity word
	15–8	–	Varies	Checksum
	7–0	–	A5h	Checksum validity indicator

Note: 1. F = The content of the word is fixed and does not change.
 V = The content of the word is variable and may change depending on the state of the device or the commands executed by the device.
 X = The content of the word may be fixed or variable.

Commands

Table 12: Supported ATA Command Set

See ATA-8 standard for command details

Command Name	Command Code (hex)
AMAC-GET NATIVE MAX ADDRESS EXT	78h/0000h
AMAC-SET ACCESSIBLE MAX ADDRESS EXT	78h/0001h
AMAC-FREEZE ACCESSIBLE MAX ADDRESS EXT	78h/0002h
CHECK POWER MODE	E5h
DATA SET MANAGEMENT – TRIM	06h/0001h
DOWNLOAD MICROCODE	92h
DOWNLOAD MICROCODE DMA	93h
EXECUTE DEVICE DIAGNOSTIC	90h
FLUSH CACHE	E7h
FLUSH CACHE EXT	EAh
IDENTIFY DEVICE	ECh
IDLE	E3h
IDLE IMMEDIATE	E1h
INITIALIZE DEVICE PARAMETERS	91h
NOP	00h
READ BUFFER	E4h
READ BUFFER DMA	E9h
READ DMA (with retry)	C8h
READ DMA EXT	25h
READ FPDMA QUEUED	60h
READ LOG DMA EXT	47h
READ LOG EXT	2Fh
READ MULTIPLE	C4h
READ MULTIPLE EXT	29h
READ SECTOR(S) EXT	24h
READ SECTOR(S) (with retry)	20h
READ VERIFY SECTOR EXT	42h
READ VERIFY SECTOR(S) (with retry)	40h
SANITIZE DEVICE	B4h
SECURITY DISABLE PASSWORD	F6h
SECURITY ERASE PREPARE	F3h
SECURITY ERASE UNIT	F4h
SECURITY FREEZE LOCK	F5h
SECURITY SET PASSWORD	F1h
SECURITY UNLOCK	F2h
SET FEATURES	EFh

Table 12: Supported ATA Command Set (Continued)

See ATA-8 standard for command details

Command Name	Command Code (hex)
SET MULTIPLE MODE	C6h
SLEEP	E6h
SMART DISABLE OPERATIONS	B0h/D9h
SMART ENABLE OPERATIONS	B0h/D8h
SMART ENABLE/DISABLE AUTOSAVE	B0h/D2h
SMART EXECUTE OFF-LINE IMMEDIATE	B0h/D4h
SMART READ DATA	B0h/D0h
SMART READ DATA ATTRIBUTE THRESHOLDS	B0h/D1h
SMART READ LOG	B0h/D5h
SMART RETURN STATUS	B0h/DAh
SMART SAVE ATTRIBUTE VALUES	B0h/D3h
SMART WRITE LOG	B0h/D6h
STANDBY	E2h
STANDBY IMMEDIATE	E0h
WRITE BUFFER	E8h
WRITE BUFFER DMA	EBh
WRITE DMA (with retry)	CAh
WRITE DMA EXT	35h
WRITE DMA FUA EXT	3Dh
WRITE FPDMA QUEUED	61h
WRITE LOG EXT	3Fh
WRITE LOG DMA EXT	57h
WRITE MULTIPLE	C5h
WRITE MULTIPLE EXT	39h
WRITE MULTIPLE FUA EXT	CEh
WRITE SECTOR(S) (with retry)	30h
WRITE SECTOR(S) EXT	34h
WRITE UNCORRECTABLE EXT	45h

Table 13: Additional Command Set for TCG Drives

Command Name	Command Code (hex)
TRUSTED NON-DATA	5Bh
TRUSTED RECEIVE	5Ch
TRUSTED RECEIVE DMA	5Dh
TRUSTED SEND	5Eh
TRUSTED SEND DMA	5Fh