



Chipsmall Limited consists of a professional team with an average of over 10 year of expertise in the distribution of electronic components. Based in Hongkong, we have already established firm and mutual-benefit business relationships with customers from,Europe,America and south Asia,supplying obsolete and hard-to-find components to meet their specific needs.

With the principle of “Quality Parts,Customers Priority,Honest Operation,and Considerate Service”,our business mainly focus on the distribution of electronic components. Line cards we deal with include Microchip,ALPS,ROHM,Xilinx,Pulse,ON,Everlight and Freescale. Main products comprise IC,Modules,Potentiometer,IC Socket,Relay,Connector.Our parts cover such applications as commercial,industrial, and automotives areas.

We are looking forward to setting up business relationship with you and hope to provide you with the best service and solution. Let us make a better world for our industry!



Contact us

Tel: +86-755-8981 8866 Fax: +86-755-8427 6832

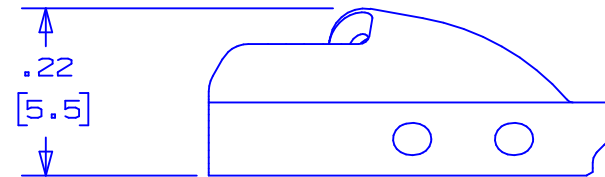
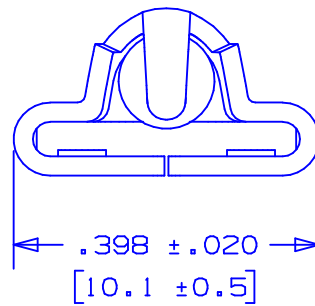
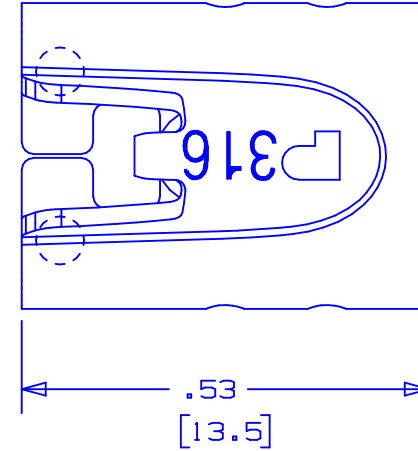
Email & Skype: info@chipsmall.com Web: www.chipsmall.com

Address: A1208, Overseas Decoration Building, #122 Zhenhua RD., Futian, Shenzhen, China



NOTES:

1. TO BE USED WITH PANDUIT POLYESTER COATED METAL BANDING MBCH.
2. APPLICATION TOOL: GS4MT, ST2MT, PPTMT, ST3MT, OR HTMT.
3. TOOL TENSION SETTING: 4 TO 8 (GS4MT AND PPTMT ONLY)
4. DIMENSIONS IN [] ARE MILLIMETERS.
5. MINIMUM LOOP TENSILE STRENGTH: 250 LBS (1112 N)
6. TOLERANCES: .X = ±.030[.762]
 .XX = ±.020[.508]
 .XXX = ±.010[.254]
 ANGLES = ±2°



S41212_00

PANDUIT CORP.

TINLEY PARK, ILLINOIS

METAL TIE HEAD HEAVY PART NO. MTHCH-C316
 316 STAINLESS STEEL

00	5/05	JAMB		DRAWING RELEASED	12675						
REV	DATE	BY	CHK	DESCRIPTION	ECN #	PM	CUST	DRAWN BY	CHK'D	SCALE	DRAWING NO.
								JAMB		4x	S41212