



Chipsmall Limited consists of a professional team with an average of over 10 year of expertise in the distribution of electronic components. Based in Hongkong, we have already established firm and mutual-benefit business relationships with customers from,Europe,America and south Asia,supplying obsolete and hard-to-find components to meet their specific needs.

With the principle of “Quality Parts,Customers Priority,Honest Operation,and Considerate Service”,our business mainly focus on the distribution of electronic components. Line cards we deal with include Microchip,ALPS,ROHM,Xilinx,Pulse,ON,Everlight and Freescale. Main products comprise IC,Modules,Potentiometer,IC Socket,Relay,Connector.Our parts cover such applications as commercial,industrial, and automotives areas.

We are looking forward to setting up business relationship with you and hope to provide you with the best service and solution. Let us make a better world for our industry!



Contact us

Tel: +86-755-8981 8866 Fax: +86-755-8427 6832

Email & Skype: info@chipsmall.com Web: www.chipsmall.com

Address: A1208, Overseas Decoration Building, #122 Zhenhua RD., Futian, Shenzhen, China



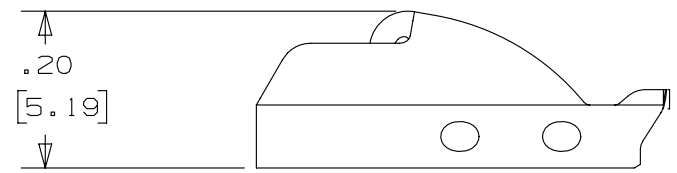
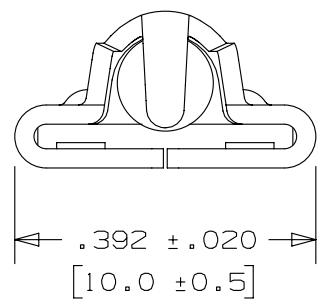
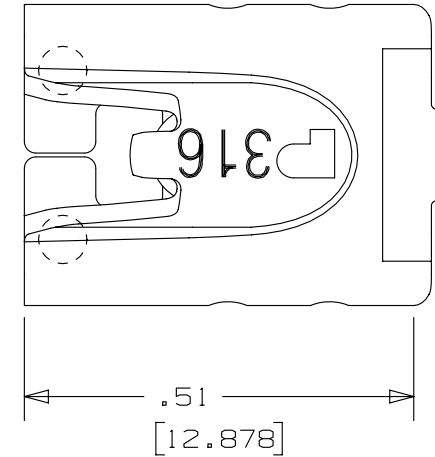
2

1

THIS COPY IS PROVIDED ON A RESTRICTED BASIS AND IS NOT TO BE USED IN ANY WAY DETRIMENTAL TO THE INTERESTS OF PANDUIT CORP.

NOTES:

1. TO BE USED WITH PANDUIT METAL BANDING MBH-MR & MBH-TLR.
2. APPLICATION TOOL: GS4MT, ST2MT, PPTMT, ST3MT, ^(A) OR HTMT.
3. TOOL TENSION SETTING: 4 TO 8 (GS4MT AND PPTMT ONLY)
4. DIMENSIONS IN [] ARE MILLIMETERS.
- ^(B) 5. MINIMUM LOOP TENSILE STRENGTH: 250 LBS (1112 N)
6. TOLERANCES:
 - .X = ±.030 [.762]
 - .XX = ±.020 [.508]
 - .XXX = ±.010 [.254]
 - ANGLES = ±2°



REV	DATE	BY	CHK	APR	DESCRIPTION	ECN
03A	03/13	JAMB	MIM	RGRO	UPDATE DRAWING TO NEW GLOBAL PANDUIT TITLE BLOCK WITH PANDUIT LOGO	SSECN01042
02A	10/03	JAMB	SKB	JJB	ORIG CAD FILE SPEC WAS S41131_01, ORIG DRAWING NUMBER WAS S41131	-----
01	10/03	BRH	DPN	JJB	^(A) ADDED ST3MT TO TOOL APPLICATION NOTE. ^(B) ADDED MINIMUM LOOP TENSILE STRENGTH NOTE	11162
00	11/02	JAMB	DPN	JJB	DRAWING RELEASED	10401

TITLE						METAL TIE HEAD HEAVY PART NUMBER MTHH-C316		
ITEM REVISION NAME						CUSTOMER DRAWING		
DATASET FILE NAME						N41131BS/03		
UNLESS OTHERWISE SPECIFIED, DIMENSIONAL TOLERANCES ARE: IN [mm]								
.x ± .1 [2.54] .xxx ± .005 [.127] .xx ± .01 [.25] ANGLES ± 5 °								
DRAWING NUMBER:						N41131BS_DC		
DRAWN BY		DATE		CHK		SCALE		SIZE
JAMB		11/02		DPN		4:1		A
SHT 1 OF 1								

2

1