



Chipsmall Limited consists of a professional team with an average of over 10 year of expertise in the distribution of electronic components. Based in Hongkong, we have already established firm and mutual-benefit business relationships with customers from,Europe,America and south Asia,supplying obsolete and hard-to-find components to meet their specific needs.

With the principle of "Quality Parts,Customers Priority,Honest Operation,and Considerate Service",our business mainly focus on the distribution of electronic components. Line cards we deal with include Microchip,ALPS,ROHM,Xilinx,Pulse,ON,Everlight and Freescale. Main products comprise IC,Modules,Potentiometer,IC Socket,Relay,Connector.Our parts cover such applications as commercial,industrial, and automotives areas.

We are looking forward to setting up business relationship with you and hope to provide you with the best service and solution. Let us make a better world for our industry!



## Contact us

Tel: +86-755-8981 8866 Fax: +86-755-8427 6832

Email & Skype: info@chipsmall.com Web: www.chipsmall.com

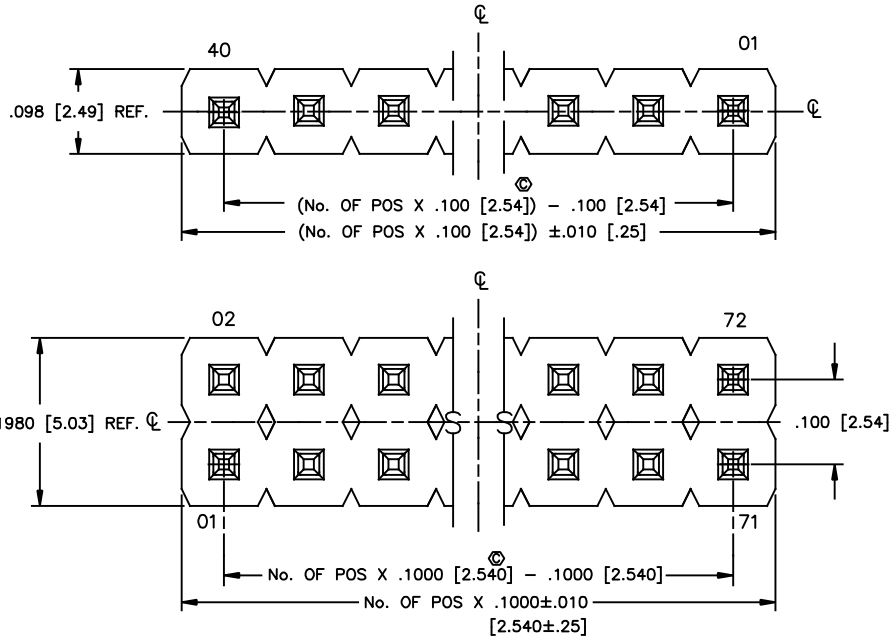
Address: A1208, Overseas Decoration Building, #122 Zhenhua RD., Futian, Shenzhen, China



DO NOT SCALE FROM THIS PRINT.

DIMENSIONS ARE IN INCHES UNLESS OTHERWISE NOTED TOLERANCES ARE:  
 ONE PLACE DECIMALS ± .1 [3] THREE PLACE DECIMALS ± .005 [.13]  
 TWO PLACE DECIMALS ± .01 [.3] FOUR PLACE DECIMALS ± .0020 [.051]

TITLE: MODIFIED LOW PROFILE TERMINAL ASSEMBLY  
 DWG NO: MTLW-1XX-XX-XX-X-XXX-XX-XX  
 SHEET 1 OF 2



MTLW-1XX-XX-XX-X-XXX-XX-XX

**No. OF POSITIONS**  
 -01 THRU -40 (SINGLE)  
 -01 THRU -36 (DOUBLE)

**LEAD STYLE**  
 SEE TABLE 1

**OPTION #2**  
 -POLARIZING SPEC.  
 XX INDICATES POS. TO BE OMITTED

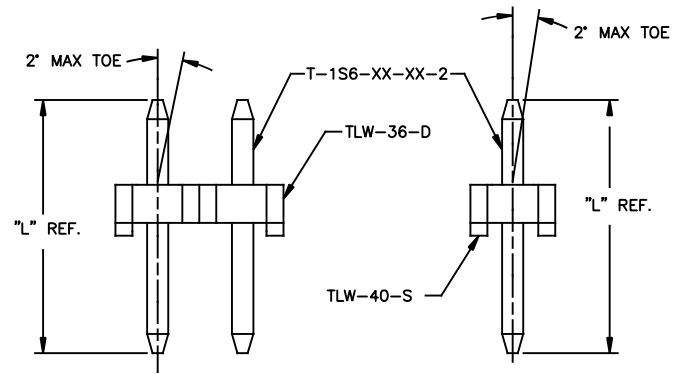
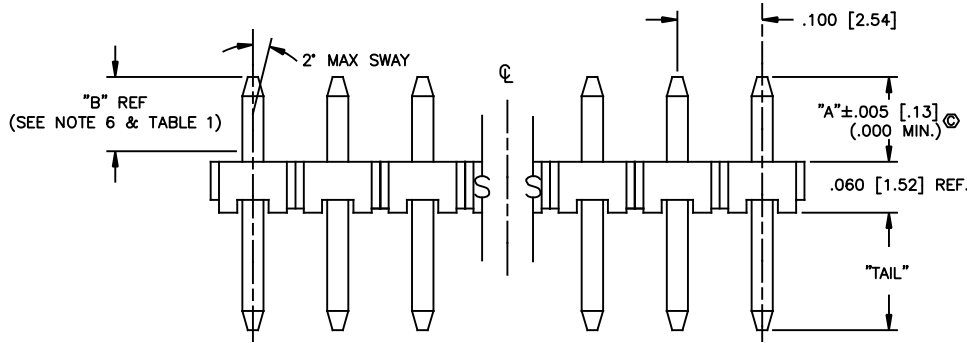
**OPTION #1**  
 -BLANK=STRAIGHT  
 -LL: LOCKING LEADS (SEE FIG 1, SHT2)  
 (TAIL: MIN OF .090 [2.29], MAX OF .310 [7.87])

**POST HEIGHT**  
 XXX= (.000) MIN - (L-.060) MAX  
 (SEE TABLE 1 "A" FOR .090 TAIL REF)

**ROW SPECIFICATION**  
 -S: SINGLE  
 -D: DOUBLE

**PLATING SPECIFICATION**

- G: GOLD, 10 Au / 50 Ni MIN ON CONTACT, 3 Au / 50 Ni MIN ON TAIL
- T: MATTE TIN CONTACT AND TAIL
- S: SELECTIVE, 30 Au / 50 Ni MIN ON CONTACT, MATTE TIN TAIL
- H: HEAVY GOLD, 30 Au / 50 Ni MIN ON CONTACT, 3 Au / 50 Ni MIN ON TAIL
- F: FLASH SELECTIVE, 3 Au / 50 Ni MIN ON CONTACT, MATTE TIN TAIL
- L: LIGHT SELECTIVE, 10 Au / 50 Ni ON CONTACT, MATTE TIN TAIL
- TM: MATTE TIN CONTACT AND TAIL
- SM: SELECTIVE, 30 Au / 50 Ni ON CONTACT, MATTE TIN TAIL
- LM: LIGHT SELECTIVE, 10 Au / 50 Ni MIN ON CONTACT, MATTE TIN TAIL
- FM: FLASH SELECTIVE, 3 Au / 50 Ni MIN ON CONTACT, MATTE TIN TAIL



**NOTES:**

- 1.) MAX ALLOWABLE BOW AFTER ASSEMBLY: .005 [.13] IN/IN.
- 2.) TERMINAL PUSHOUT FORCE: 2 lbs. MIN.
- 3.) MAX PIN ROTATION IN BODY: 2°.
- 4.) ⊙ REPRESENTS A CRITICAL DIMENSION
- 5.) MAX CUT FLASH .010 [2.25].
- 6.) GOLD CONTACT AREA LOCATION FOR G, H, S, L, & F PLATINGS.
- 7.) ORIENTATE PINS TO REDUCE THE NUMBER OF BANDOLIERS MARKS IN THE POST AREA. (SEE TABLE 2)

TABLE 1

LEAD STYLE	TERMINAL	"L"	"A" (FOR .090 [2.29] TAIL)	"B"
-05	T-1S6-21-XX-2	.335 [8.51]	.185 [4.70]	.050 [1.27]
-06	T-1S6-18-XX-2	.300 [7.62]	.150 [3.81]	.050 [1.27]
-07	T-1S6-07-XX-2	.430 [10.92]	.280 [7.11]	.165 [4.19]
-08	T-1S6-08-XX-2	.530 [13.46]	.380 [9.65]	.165 [4.19]
-09	T-1S6-09-XX-2	.730 [18.54]	.580 [14.73]	.165 [4.19]
-10	T-1S6-10-XX-2	.830 [21.08]	.680 [17.27]	.165 [4.19]
-22	T-1S6-15-XX-2	.630 [16.00]	.480 [12.19]	.165 [4.19]
-23	T-1S6-16-XX-2	.445 [11.30]	.295 [7.49]	.165 [4.19]
-24	T-1S6-17-XX-2	.480 [12.19]	.330 [8.38]	.165 [4.19]

CRITICAL DIMENSION INSPECTION INSTRUCTION TABLE	
ASSEMBLY OPERATION	IN-PROCESS INSPECTION
FILL	*C1, C5
2ND PRESS	*C1
REPRESS	*C1
CRIMP	C4
MULTI CUT	C2, C3
* WHEREVER APPLIES	

**MATERIAL:**  
 LCP, UL 94 VO  
 COLOR: BLACK

**TERMINALS:**  
 PHOSPHOR BRONZE ALLOY  
 NO. 510, 3/4 HARD  
 TENSILE RANGE 95-105 KSI

EXP/PROD/ASSEMBLY/100 MTLW

**samtec**

520 PARK EAST BLVD. NEW ALBANY, INDIANA 47150  
 PHONE (812) 944-6733 P.O. BOX 1147  
 CODE 55322

MADE BY: REIDINGER 6-5-91	ENG. APPROVAL: DEM	MTLW-1XX-XX-XX-X-XXX-XX-XX
CHECKED BY: McCARTIN		SHEET 1 OF 2

**PROPRIETARY NOTE**  
 THIS DOCUMENT CONTAINS CONFIDENTIAL AND PROPRIETARY INFORMATION AND IS UNCLASSIFIED. MANUFACTURING INFORMATION, USE, REUSE, REPAIR AND SALES RIGHTS ARE EXPRESSLY RESERVED BY SAMTEC, INC. THIS DOCUMENT SHALL NOT BE REPRODUCED, IN WHOLE OR PART, IN ANY MANNER WITHOUT THE WRITTEN CONSENT OF SAMTEC, INC.