



Chipsmall Limited consists of a professional team with an average of over 10 year of expertise in the distribution of electronic components. Based in Hongkong, we have already established firm and mutual-benefit business relationships with customers from,Europe,America and south Asia,supplying obsolete and hard-to-find components to meet their specific needs.

With the principle of “Quality Parts,Customers Priority,Honest Operation,and Considerate Service”,our business mainly focus on the distribution of electronic components. Line cards we deal with include Microchip,ALPS,ROHM,Xilinx,Pulse,ON,Everlight and Freescale. Main products comprise IC,Modules,Potentiometer,IC Socket,Relay,Connector.Our parts cover such applications as commercial,industrial, and automotives areas.

We are looking forward to setting up business relationship with you and hope to provide you with the best service and solution. Let us make a better world for our industry!



Contact us

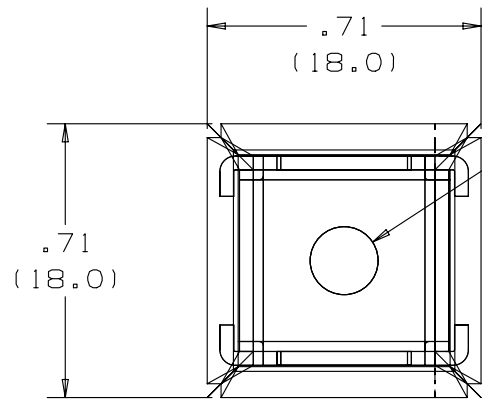
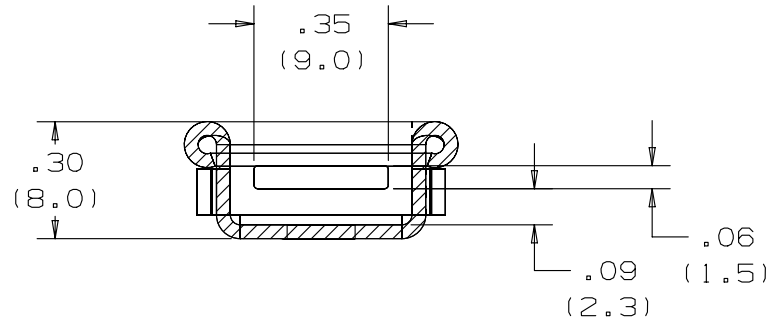
Tel: +86-755-8981 8866 Fax: +86-755-8427 6832

Email & Skype: info@chipsmall.com Web: www.chipsmall.com

Address: A1208, Overseas Decoration Building, #122 Zhenhua RD., Futian, Shenzhen, China



THIS COPY IS PROVIDED ON A RESTRICTED BASIS AND IS NOT TO BE USED IN ANY WAY DETRIMENTAL TO THE INTERESTS OF PANDUIT CORP.


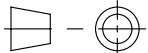


CLEARANCE FOR #8 [4mm]
MOUNTING SCREW
.176 [4.5] DIA.

NOTES:

1. DIMENSIONAL TOLERANCES:
 .XX ±.02 (.5)
 .XXX ±.01 (.25)
2. USE WITH STD, LH & HVY CROSS SECTION MLT'S.
3. DIMS IN () ARE mm.
4. MAXIMUM SCREW HEAD HEIGHT .09 (2.3)
5. STAINLESS STEE SCREWS ARE RECOMMENDED TO AVOID CORROSION PROBLEMS ASSOCIATED WITH DISSIMILAR METALS.
6. PACKAGE QTY: Q = 25

REV	DATE	BY	CHK	APR	DESCRIPTION	ECN
03A	3/13	JAMB	MIM	RGRO	UPDATE DRAWING TO NEW PANDUIT GLOBAL TITLE BLOCK WITH PANDUIT LOGO. ORIG CAD FILE SPEC WAS S41074_02	SSECN01031
02	8/04	JAMB	JJB	JJB	NOTE2: ADDED THE "LH" LIGHT-HEAVY MLT PRODUCT FOR USE WITH MTM2H TIE MOUNT	11906
01	1/01	KMD	JAC	JAC	ADDED NOTE 6. CAD FILE SPEC WAS N41074SA_PCD_00	09010
00	11/92	BO	JAC	LCA	DRAWING RELEASED	01265

TITLE		2-WAY METAL TIE MOUNT MTM2H		
		CUSTOMER DRAWING		
ITEM REVISION NAME		N41074BS/03		
DATASET FILE NAME		N41074BS/03		
UNLESS OTHERWISE SPECIFIED, DIMENSIONAL TOLERANCES ARE: IN [mm]		 MATERIAL: 304 STAINLESS STEEL DRAWING NUMBER: N41074BS_DC		
.x ± .1 [2.54] .xxx ± .005 [.127] .xx ± .01 [.25] ANGLES ± 5 °				
 THIRD ANGLE PROJECTION				
DRAWN BY	DATE	CHK	SCALE	SIZE
BJO	11/11/92	JAC	2:1	SHT 1 OF 1 A