



Chipsmall Limited consists of a professional team with an average of over 10 year of expertise in the distribution of electronic components. Based in Hongkong, we have already established firm and mutual-benefit business relationships with customers from,Europe,America and south Asia,supplying obsolete and hard-to-find components to meet their specific needs.

With the principle of “Quality Parts,Customers Priority,Honest Operation,and Considerate Service”,our business mainly focus on the distribution of electronic components. Line cards we deal with include Microchip,ALPS,ROHM,Xilinx,Pulse,ON,Everlight and Freescale. Main products comprise IC,Modules,Potentiometer,IC Socket,Relay,Connector.Our parts cover such applications as commercial,industrial, and automotives areas.

We are looking forward to setting up business relationship with you and hope to provide you with the best service and solution. Let us make a better world for our industry!



Contact us

Tel: +86-755-8981 8866 Fax: +86-755-8427 6832

Email & Skype: info@chipsmall.com Web: www.chipsmall.com

Address: A1208, Overseas Decoration Building, #122 Zhenhua RD., Futian, Shenzhen, China



Peak Emission Wavelength: 670nm (2), 810nm (2), 950nm (2)

The MTMD6894T38 is a multi-chip emitter designed for applications requiring various emission sources in a small, densely packaged area. These devices can be custom designed for specific wavelengths and outputs.

FEATURES

- > Hermetically Sealed TO-5 Metal Can Package
- > High Reliability
- > High Output Power

APPLICATIONS

- > Medical Instrumentation
- > Currency Validation
- > Biofluorescence Analysis



Absolute Maximum Ratings (Ta=25°C)



ITEMS	SYMBOL	RATINGS			UNIT
		670	810	950	
Forward Current (DC)	IF	50	100	100	mA
Forward Current (Pulse)*1	IFP	0.5	1	1	A
Reverse Voltage	VR		5		V
Power Dissipation	PD	110	190	100	mW
Operating Temperature Range	Topr		-20 ~ +85		°C
Storage Temperature Range	Tstg		-30 ~ +100		°C
Junction Temperature	Tj		100		°C
Lead Soldering Temperature*2	Tls		260		°C

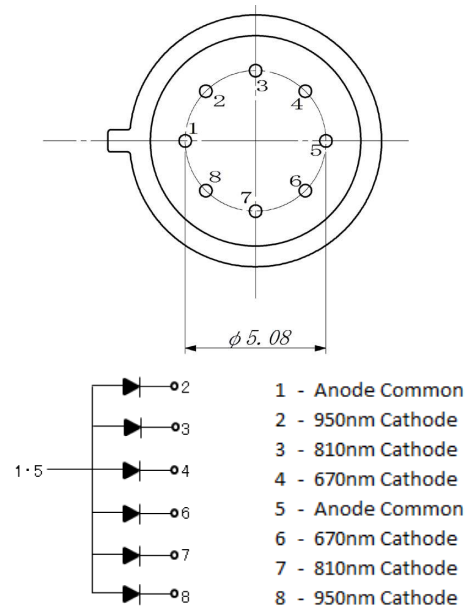
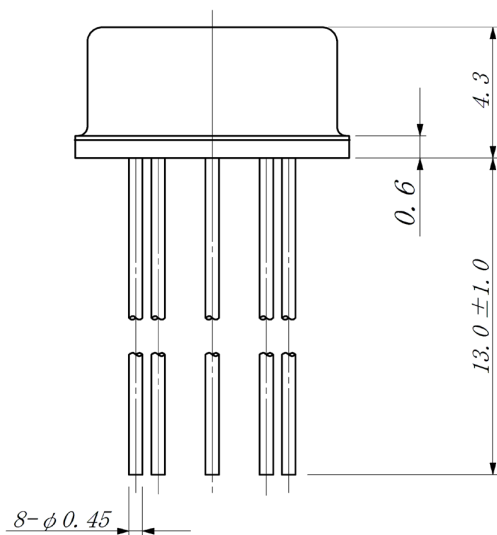
*1: Tw=10µsec, T=10msec. *2: Time 5 Sec max; Position: Up to 3mm from the body.

Electrical & Optical Characteristics (Ta = 25°C)

ITEMS	SYMBOL	WAVELENGTH	CONDITIONS	MIN	TYP	MAX	UNIT
Forward Voltage	VF	670	IF=20mA	--	1.8	2.2	V
Forward Voltage	VF	810	IF=20mA	--	1.6	1.9	V
Forward Voltage	VF	950	IF=20mA	--	1.25	1.9	V
Reverse Current	IR	--	VR=5V	--	--	100	µA
Power Output	PO	670	IF=20mA	--	3.1	--	mW
Power Output	PO	810	IF=20mA	--	3.0	--	mW
Power Output	PO	950	IF=20mA	--	7.0	--	mW
Peak Emission Wavelength	λp	670	IF=20mA	--	670	--	nm
Peak Emission Wavelength	λp	810	IF=20mA	--	810	--	nm
Peak Emission Wavelength	λp	950	IF=20mA	--	950	--	nm
Spectral Line Half Width	Δλ	670	IF=20mA	--	25	--	nm
Spectral Line Half Width	Δλ	810	IF=20mA	--	30	--	nm

Electrical & Optical Characteristics (Ta = 25°C) (Continued)

ITEMS	SYMBOL	WAVELENGTH	CONDITIONS	MIN	TYP	MAX	UNIT
Spectral Line Half Width	$\Delta\lambda$	950	IF=20mA	--	45	--	nm



Unit: mm, Tolerance: ±0.2

