



Chipsmall Limited consists of a professional team with an average of over 10 year of expertise in the distribution of electronic components. Based in Hongkong, we have already established firm and mutual-benefit business relationships with customers from,Europe,America and south Asia,supplying obsolete and hard-to-find components to meet their specific needs.

With the principle of "Quality Parts,Customers Priority,Honest Operation,and Considerate Service",our business mainly focus on the distribution of electronic components. Line cards we deal with include Microchip,ALPS,ROHM,Xilinx,Pulse,ON,Everlight and Freescale. Main products comprise IC,Modules,Potentiometer,IC Socket,Relay,Connector.Our parts cover such applications as commercial,industrial, and automotives areas.

We are looking forward to setting up business relationship with you and hope to provide you with the best service and solution. Let us make a better world for our industry!



Contact us

Tel: +86-755-8981 8866 Fax: +86-755-8427 6832

Email & Skype: info@chipsmall.com Web: www.chipsmall.com

Address: A1208, Overseas Decoration Building, #122 Zhenhua RD., Futian, Shenzhen, China



Peak Emission Wavelength: 770nm (3)

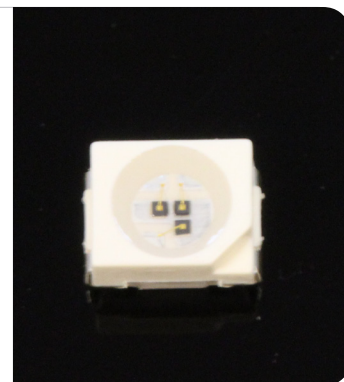
The MTMS7700SMT4 is a multi-chip emitter designed for applications requiring same emission sources in a small, densely packaged area. These devices can be custom designed for specific wavelengths and outputs.

FEATURES

- > PLCC-4 Package
- > High Reliability
- > High Output Power

APPLICATIONS

- > Medical Instrumentation
- > Currency Validation
- > Biofluorescence Analysis



Absolute Maximum Ratings (Ta=25°C)

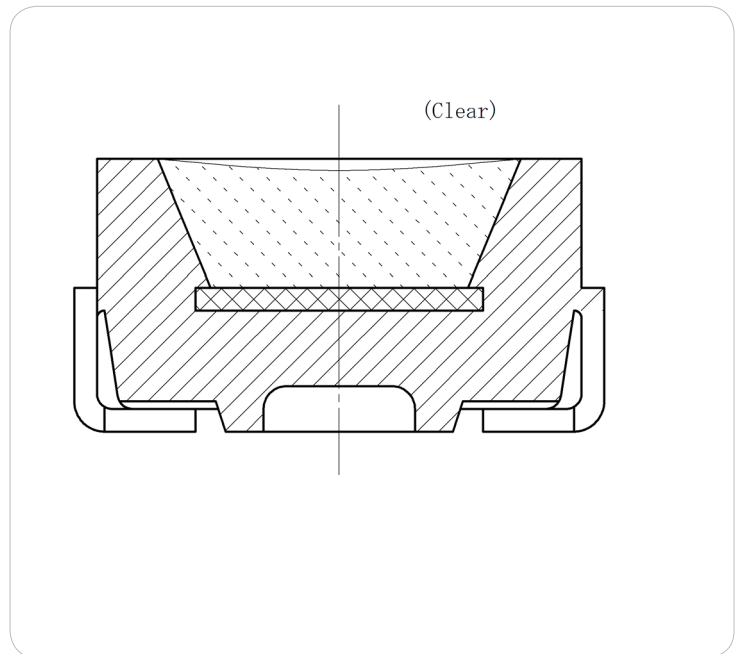
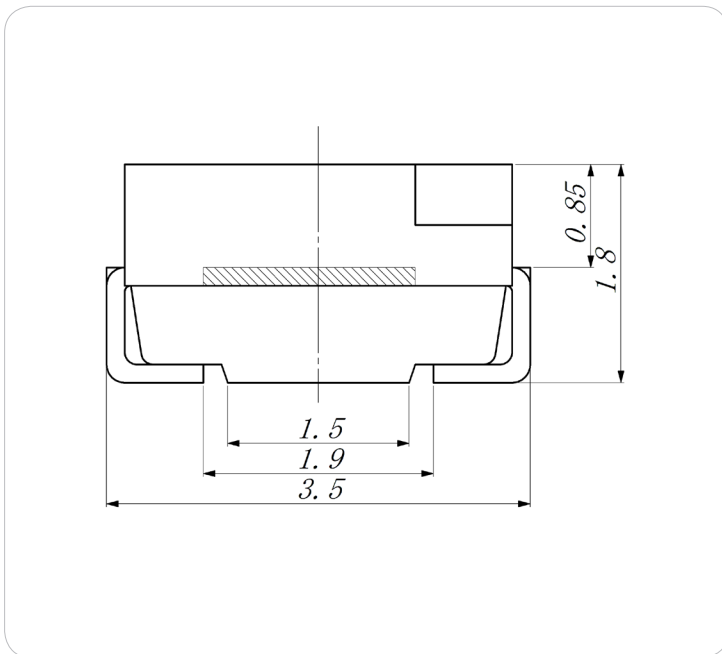
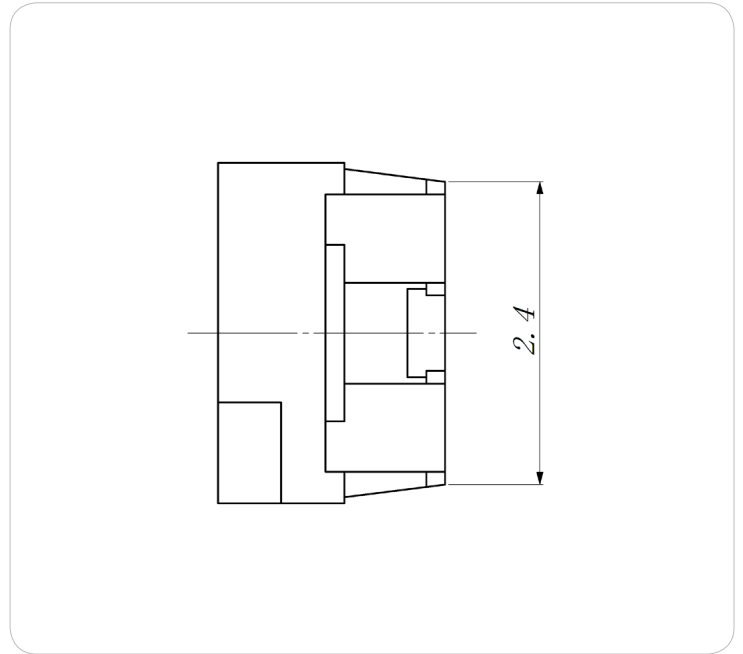
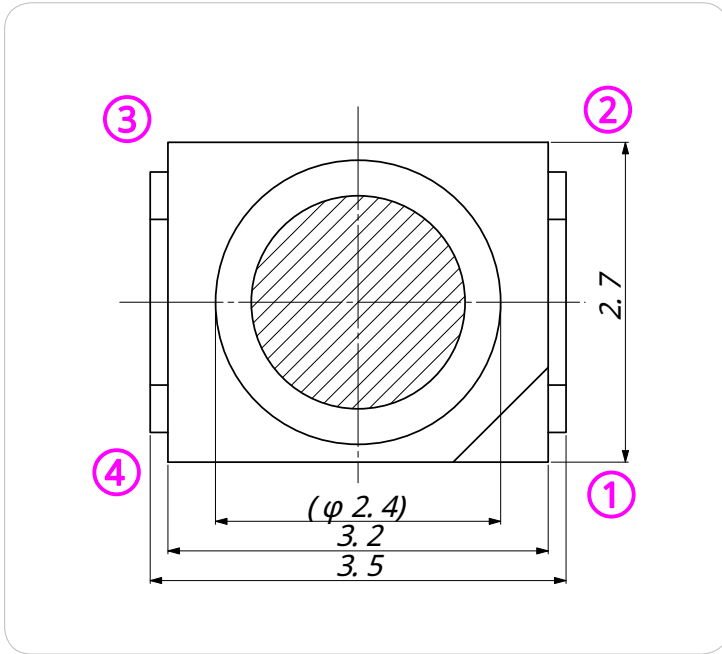


ITEMS	SYMBOL	RATINGS	UNIT
Forward Current (DC)	IF	50	mA
Forward Current (Pulse)*1	IFP	0.5	A
Reverse Voltage	VR	5	V
Power Dissipation	PD	160	mW
Operating Temperature Range	Topr	-20 ~ +80	°C
Storage Temperature Range	Tstg	-30 ~ +100	°C

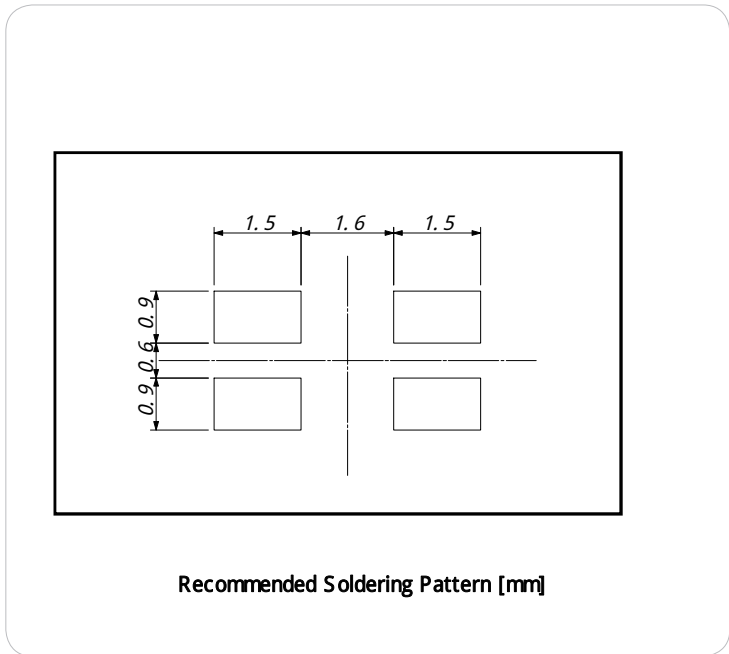
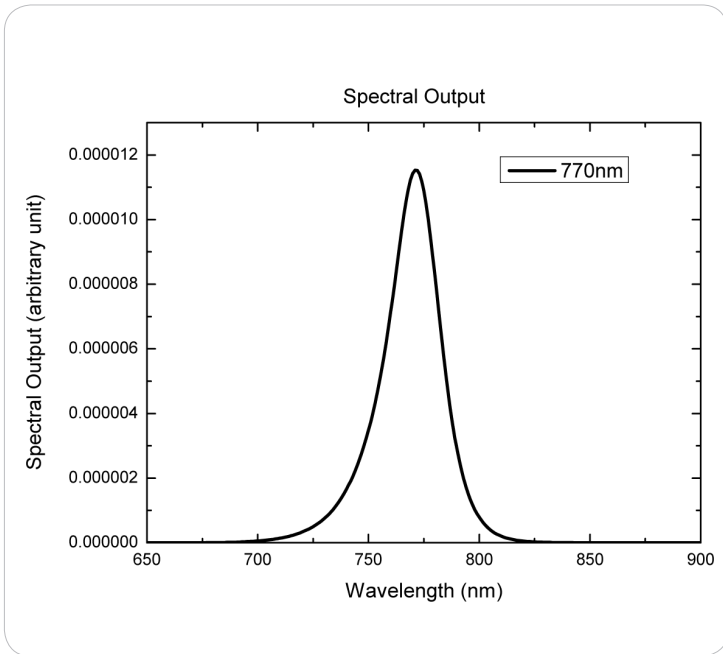
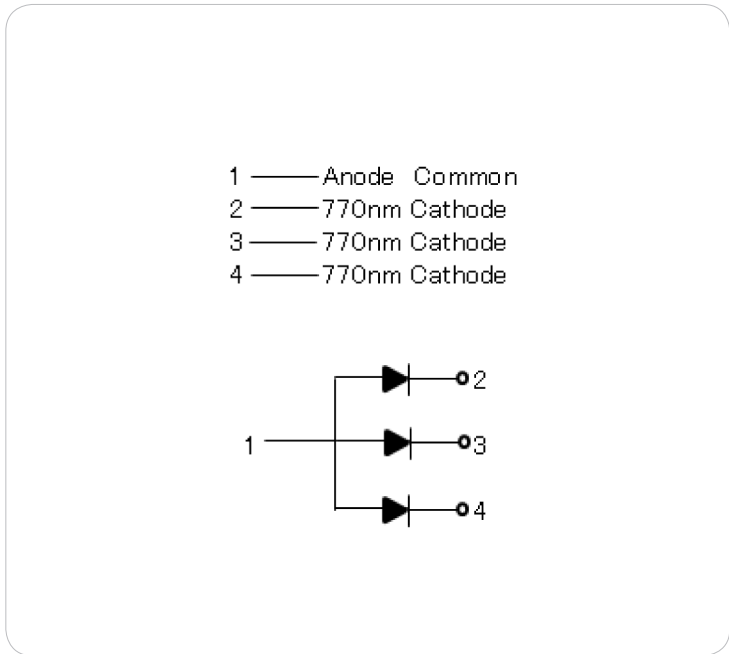
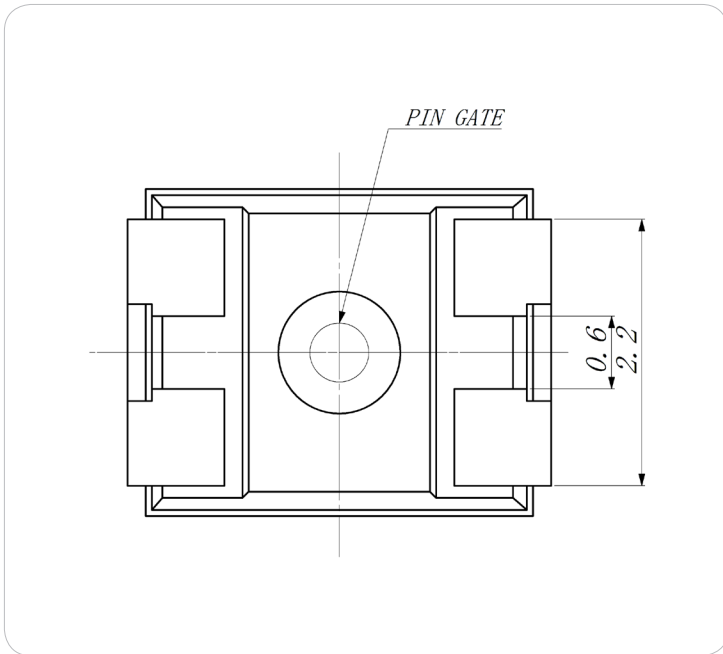
*1: Tw=10μsec, T=10msec.

Electrical & Optical Characteristics (Ta = 25°C)(Per Chip)

ITEMS	SYMBOL	CONDITIONS	MIN	TYP	MAX	UNIT
Power Output	PO	IF=20mA	--	6.7	--	mW
Forward Voltage	VF	IF=20mA	--	1.6	1.9	V
Reverse Current	IR	VR=5V	--	--	100	μA
Peak Emission Wavelength	λp	IF=20mA	--	770	--	nm
Spectral Line Half Width	Δλ	IF=20mA	--	35	--	nm



Unit: mm, Tolerance: ± 0.2



Unit: mm, Tolerance: ± 0.2

Soldering Conditions:

(1) Reflow Soldering

- a. Please implement the following temperature profile.
- b. Please do not handle the product until it has returned to ambient temperature.

(2) Hand Soldering

- a. Soldering tip temperature must be under 320°C.
- b. Soldering must be done within 3 seconds each.
- c. When soldering, do not add pressure to the resin portion.
- d. Please do not handle the product until it has returned to ambient temperature.

Reflow Soldering Temperature-Profile [Pb free Soldering] (Recommend condition)

