



Chipsmall Limited consists of a professional team with an average of over 10 year of expertise in the distribution of electronic components. Based in Hongkong, we have already established firm and mutual-benefit business relationships with customers from,Europe,America and south Asia,supplying obsolete and hard-to-find components to meet their specific needs.

With the principle of “Quality Parts,Customers Priority,Honest Operation,and Considerate Service”,our business mainly focus on the distribution of electronic components. Line cards we deal with include Microchip,ALPS,ROHM,Xilinx,Pulse,ON,Everlight and Freescale. Main products comprise IC,Modules,Potentiometer,IC Socket,Relay,Connector.Our parts cover such applications as commercial,industrial, and automotives areas.

We are looking forward to setting up business relationship with you and hope to provide you with the best service and solution. Let us make a better world for our industry!



## Contact us

Tel: +86-755-8981 8866 Fax: +86-755-8427 6832

Email & Skype: info@chipsmall.com Web: www.chipsmall.com

Address: A1208, Overseas Decoration Building, #122 Zhenhua RD., Futian, Shenzhen, China



## Peak Emission Wavelength: 850nm

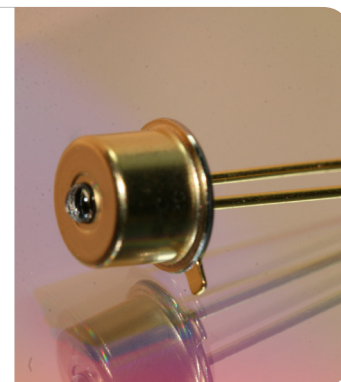
The 850nm infrared point source emitter is designed for applications requiring parallel beam angle, high accuracy and precision. Custom package solutions and sorting are available.

### FEATURES

- > High Power Output
- > Emitting Window Diameter of 50µm
- > Double Lens: Ball Lens & Focusing Lens
- > High Reliability

### APPLICATIONS

- > Fiber Optics
- > Linear & Rotary Encoder
- > Optical Communications
- > Fiber Optics



## Absolute Maximum Ratings (Ta=25°C)



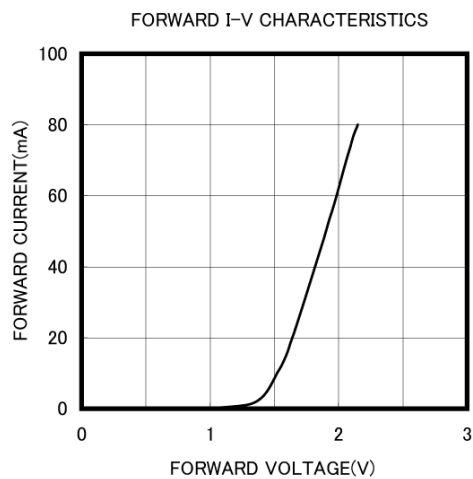
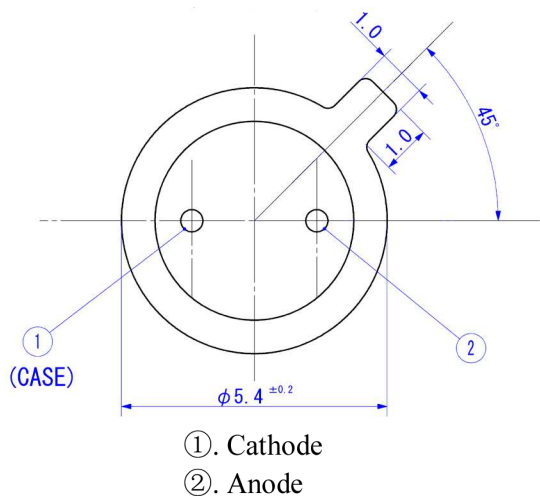
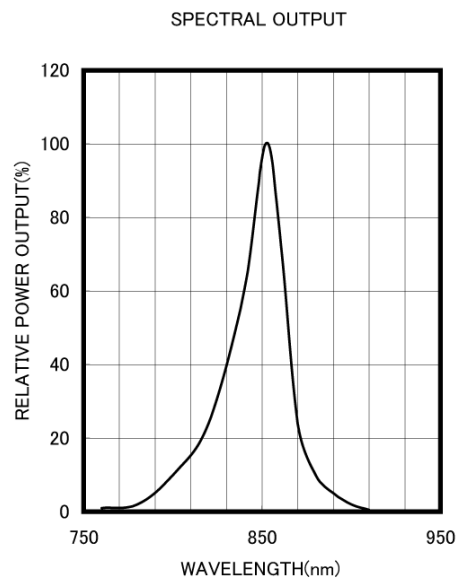
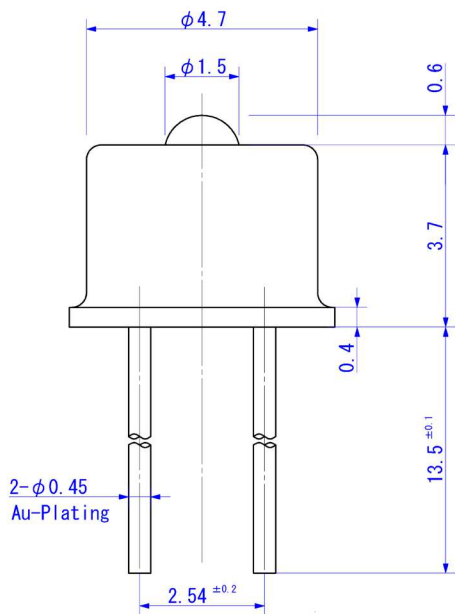
ITEMS	SYMBOL	RATINGS	UNIT
Forward Current (DC)	IF	80	mA
Forward Current (Pulse)*1	IFP	0.4	A
Reverse Voltage	VR	5	V
Power Dissipation	PD	160	mW
Operating Temperature Range	Topr	-30 ~ +100	°C
Storage Temperature Range	Tstg	-40 ~ +125	°C
Junction Temperature	Tj	100	°C
Lead Soldering Temperature*2	Tls	260	°C

\*1: Tw=10µsec, T=10msec; \*2: Time 5 Sec max, Position: Up to 3mm from the body.

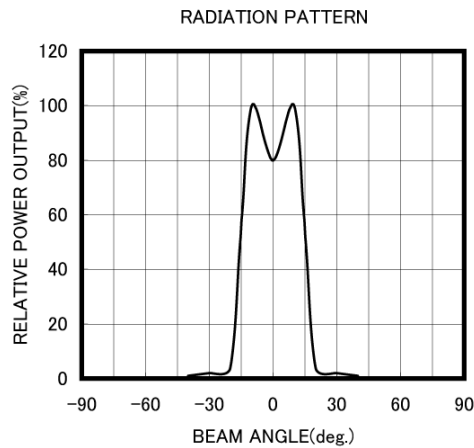
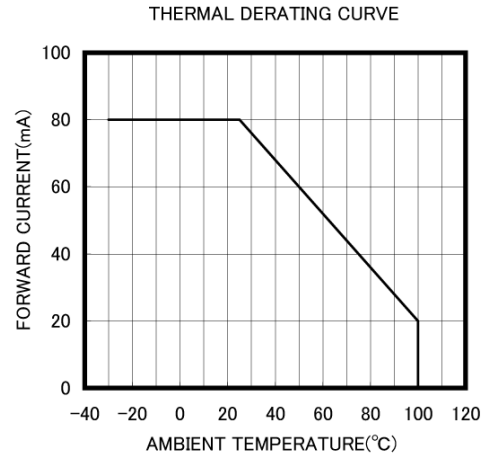
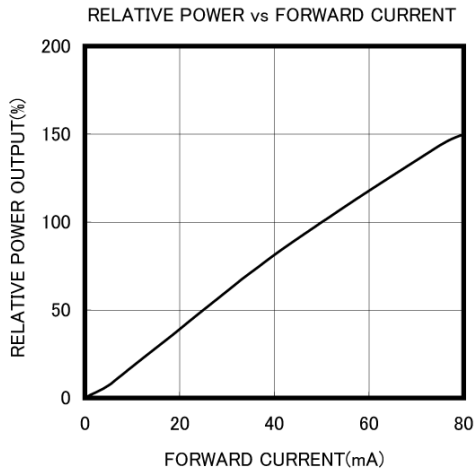
## Electrical & Optical Characteristics (Ta = 25°C)

ITEMS	SYMBOL	CONDITIONS	MIN	TYP	MAX	UNIT
Power Output	PO	IF=50mA	0.6	1.0	--	mW
Forward Voltage	VF	IF=50mA	--	1.9	2.5	V
Reverse Current	IR	VR=5V	--	--	10	µA
Peak Emission Wavelength	λp	IF=50mA	--	850	--	nm
Spectral Line Half Width	Δλ	IF=50mA	--	30	--	nm
Half Intensity Beam Angle	Θ	IF=50mA	--	±15	--	deg
Cut-off Frequency	fc	*1	--	45	--	MHz

\*1: IF=50mA+20mAp-p.



Unit: mm, Tolerance:  $\pm 0.2$



The information contained herein is subject to change without notice.

2013-1-28