



Chipsmall Limited consists of a professional team with an average of over 10 year of expertise in the distribution of electronic components. Based in Hongkong, we have already established firm and mutual-benefit business relationships with customers from,Europe,America and south Asia,supplying obsolete and hard-to-find components to meet their specific needs.

With the principle of “Quality Parts,Customers Priority,Honest Operation,and Considerate Service”,our business mainly focus on the distribution of electronic components. Line cards we deal with include Microchip,ALPS,ROHM,Xilinx,Pulse,ON,Everlight and Freescale. Main products comprise IC,Modules,Potentiometer,IC Socket,Relay,Connector.Our parts cover such applications as commercial,industrial, and automotives areas.

We are looking forward to setting up business relationship with you and hope to provide you with the best service and solution. Let us make a better world for our industry!



Contact us

Tel: +86-755-8981 8866 Fax: +86-755-8427 6832

Email & Skype: info@chipsmall.com Web: www.chipsmall.com

Address: A1208, Overseas Decoration Building, #122 Zhenhua RD., Futian, Shenzhen, China



Peak Emission Wavelength: 385nm

The MTSM385UV4-F10116 is a ultraviolet light emitting diode with peak emission wavelength of 385nm. The High power UV LED is designed for high current operation and high power output operations. It incorporates state of the art SMD design and low thermal resistant material.



FEATURES

- > Super high power output
- > Low thermal resistance
- > SMT solderable
- > Designed for high current operation

APPLICATIONS

- > UV Curing
- > Printing
- > Coating
- > Counterfeit Detection / Security

Absolute Maximum Ratings (Ta=25°C)



| ITEMS | SYMBOL | RATINGS | UNIT |
|-----------------------|--------|-------------|------|
| Forward Current | If | 1400 | mA |
| Junction Temperature | Tj | 125 | °C |
| Operating Temperature | Topr | -10 to +85 | °C |
| Storage Temperature | Tstg | -40 to +100 | °C |

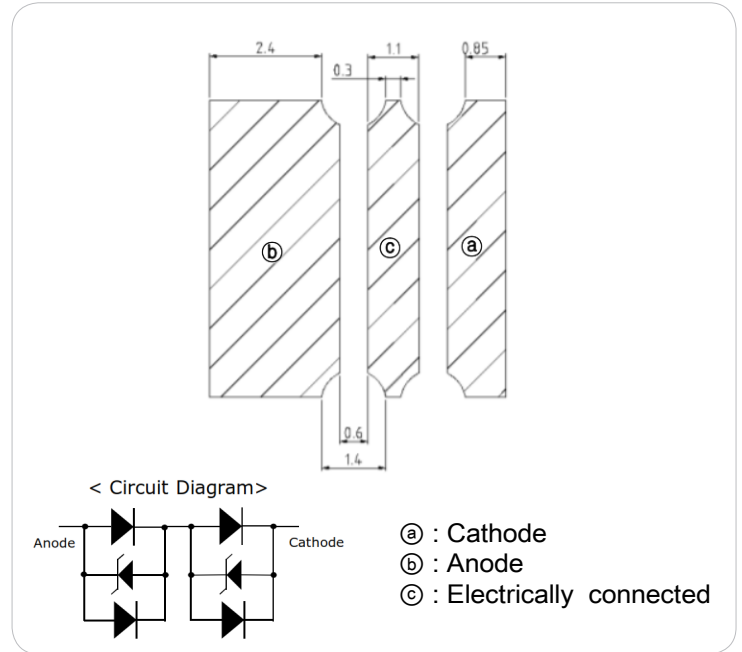
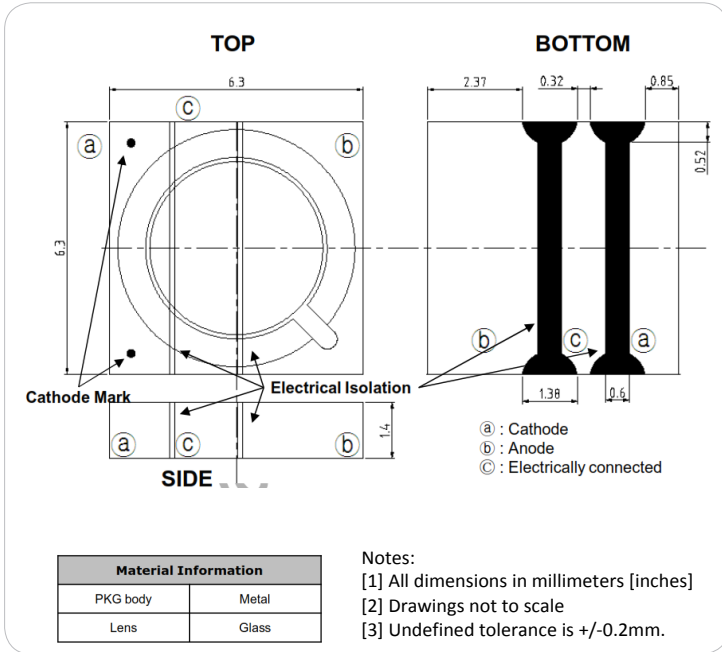
Note: Also available on PCB - Star Board MTSM385UV4-F10116S

Electrical & Optical Characteristics (Ta = 25°C, RH=30%)

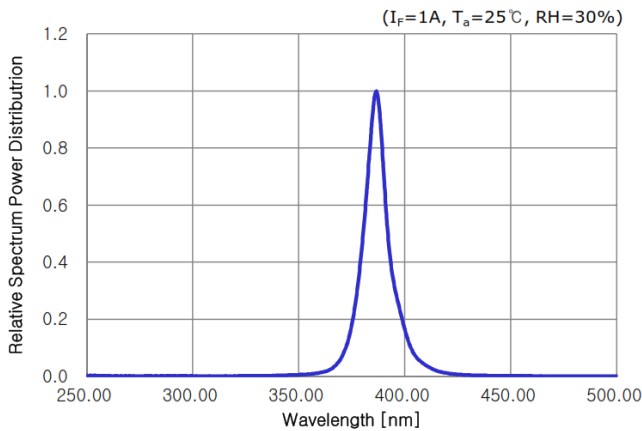
| ITEMS | SYMBOL | CONDITION | TYPICAL | UNIT |
|---------------------|----------------------|-----------|---------|------|
| Peak Wavelength [1] | λ_p | IF=1A | 385 | nm |
| Radiant Flux [2] | Φ_e [3] | IF=1A | 3750 | mW |
| Forward Voltage [4] | Vf | IF=1A | 7.4 | V |
| FWHM | $\Delta\lambda$ | IF=1A | 12 | nm |
| Viewing Angle | $2\theta_{1/2}$ | IF=1A | 116 | deg |
| Thermal Resistance | R θ_{j-b} [5] | -- | 2.3 | °C/W |

Notes:

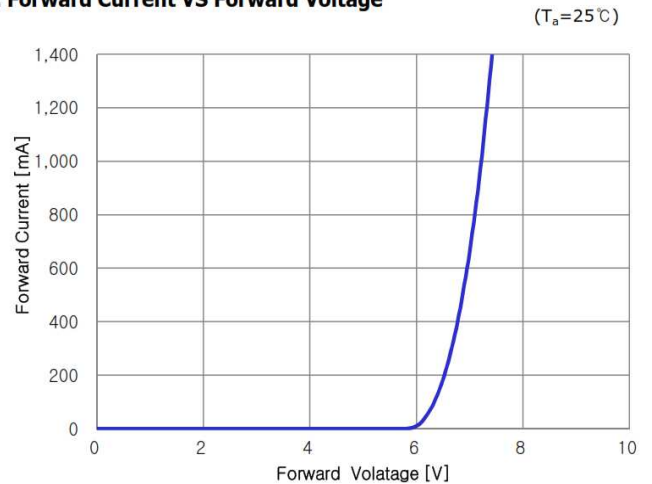
- [1] Peak wavelength Measurement tolerance is ± 3 nm
- [2] Radiant Flux Measurement tolerance is $\pm 10\%$
- [3] Φ_e is the Total Radiant Flux as measured with a radiometer with an integrated sphere
- [4] Forward voltage measurement tolerance is $\pm 3\%$
- [5] R θ_{j-b} is the thermal resistance between chip junction to PCB board bottom.



1. Relative Spectral Power Distribution

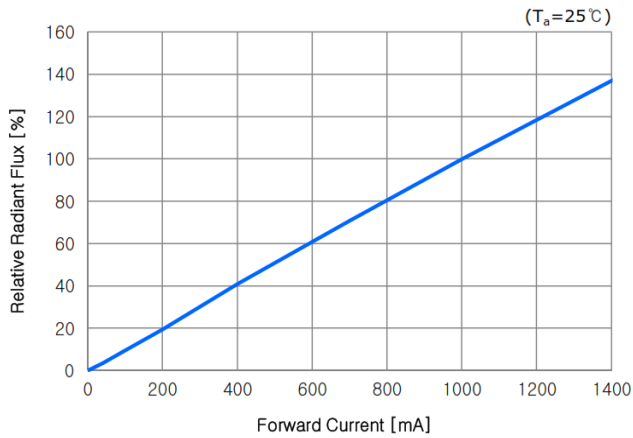


2. Forward Current VS Forward Voltage

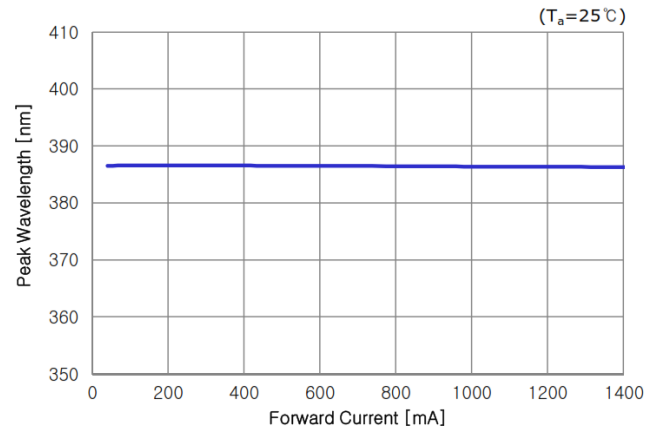


$T_a = 25\text{ }^\circ\text{C}$, RH=30%

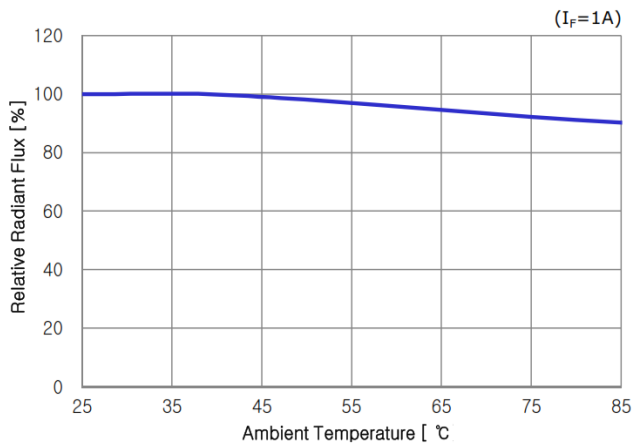
3. Relative Radiant Flux VS Forward Current



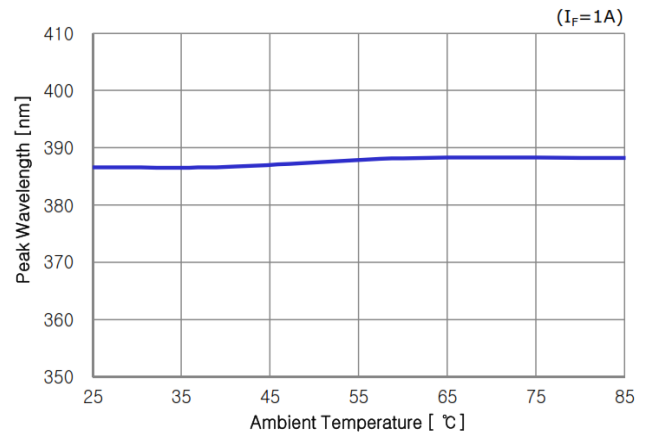
4. Peak Wavelength VS Forward Current



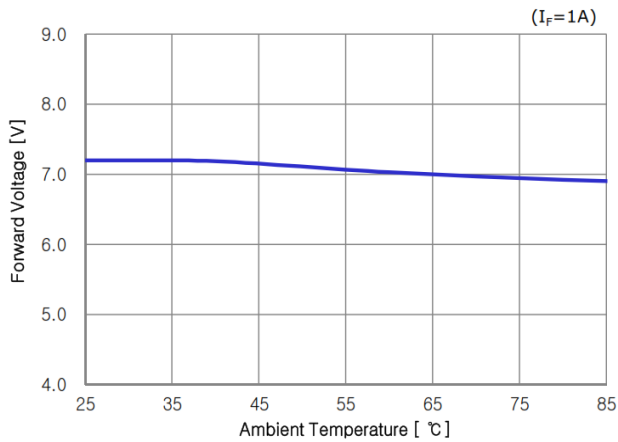
5. Relative Radiant Flux VS Ambient Temperature



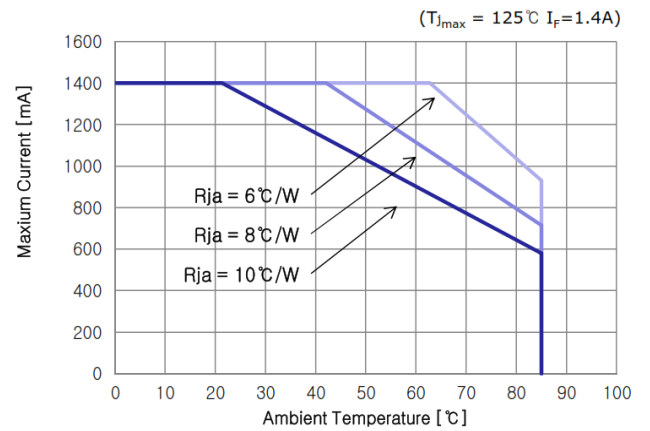
6. Peak Wavelength VS Ambient Temperature



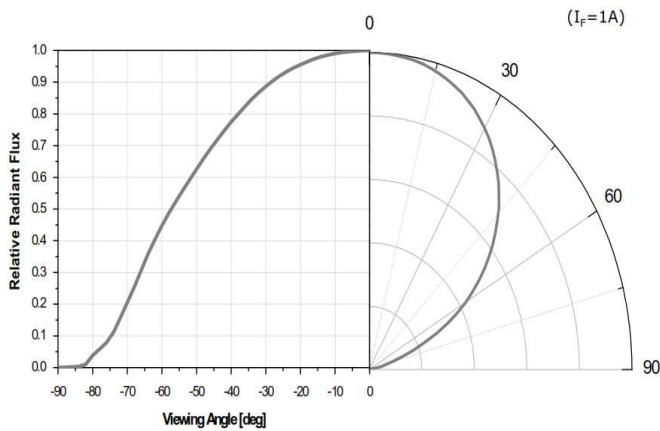
7. Forward Voltage VS Ambient Temperature



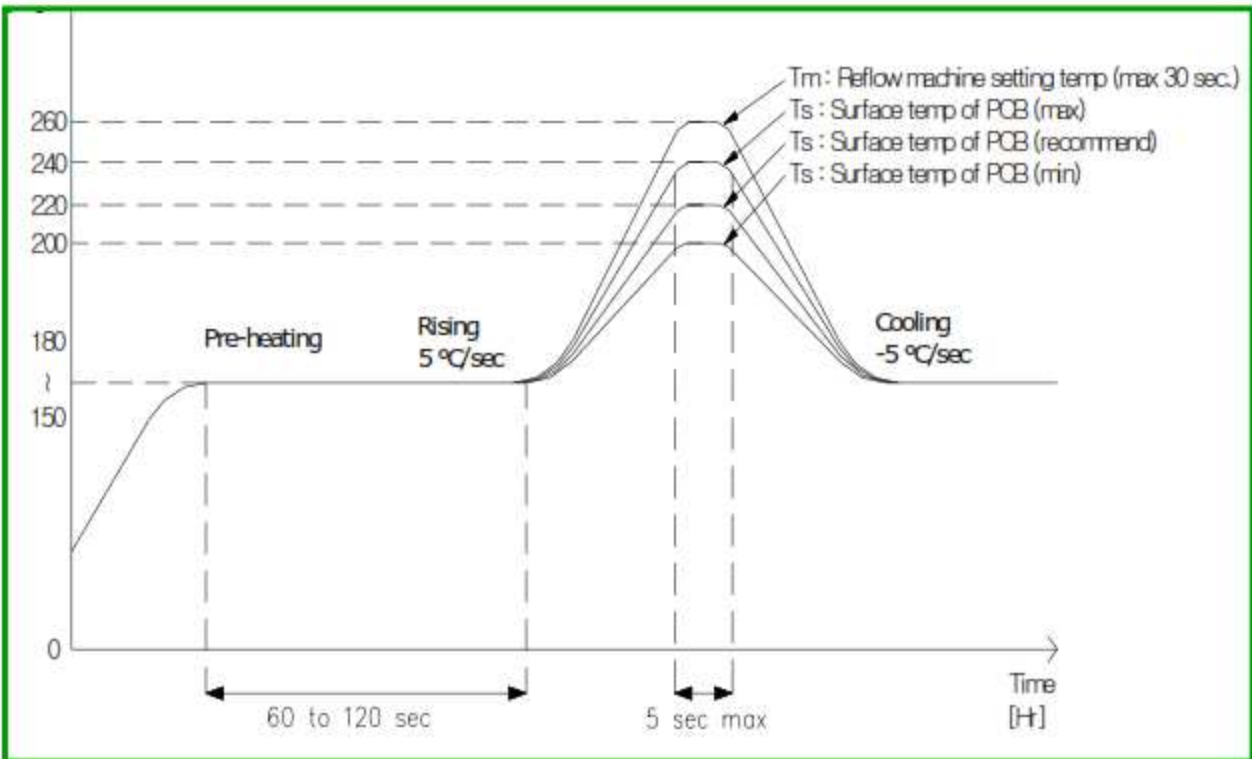
8. Allowable Forward Current VS Ambient Temperature



9. Radiation pattern



Reflow Soldering Profile



* Caution

1. Reflow soldering should not be done more than one time.
2. Repairs should not be done after the LEDs have been soldered. When repair is unavoidable, suitable tools must be used.
3. Die slug is to be soldered.
4. When soldering, do not put stress on the LEDs during heating.
5. After soldering, do not warp the circuit board.
6. Recommend to use a convection type reflow machine with 7 ~ 8 zones.

Precaution for use

1) Storage

- To avoid moisture penetration, we recommend storing UV LEDs in a dry box with a desiccant. The recommended temperature and Relative humidity are between 5°C and 30°C and below 50% respectively.
- LEDs must be stored properly to maintain the device. If the LEDs are stored for 3 months or more after being shipped from SVC, a sealed container with a nitrogen atmosphere should be used for storage.
- Replace the remained LEDs into the moisture-proof bag and reseal the bag after work to avoid those LEDs being exposed to moisture. Prolonged exposure to moisture can adversely affect the proper functioning of the LEDs.
- If the package has been opened more than 4 week(MSL_2a) or the color of the desiccant changes, components should be dried for 10-12hr at 60±5°C
- The conditions of resealing are as follows
 - Temperature is 5 to 40°C and Relative humidity is less than 30%

2) Handling Precautions

- VOCs (Volatile organic compounds) emitted from materials used in the construction of fixtures can penetrate silicone encapsulants of LEDs and discolor them when exposed to heat and photonic energy. The result can be a significant loss of light output from the fixture. Knowledge of the properties of the materials selected to be used in the construction of fixtures can help prevent these issues.
- In case of attaching LEDs, do not use adhesives that outgas organic vapor.
- Soldering should be done as soon as possible after opening the moisture-proof bag.
- Do not rapidly cool device after soldering.
- Do not apply mechanical force or excess vibration during the cooling process to normal temperature after soldering.
- Components should not be mounted on warped (non coplanar) portion of PCB.
- The optical window part of LED needs to be handled carefully as below
 - Avoid touching the optical window especially with sharp tools such as Pincettes (Tweezers)
 - Avoid leaving fingerprints on optical window parts.
 - Optical window will attract dust so use covered containers for storage.
 - When populating boards in SMT production, there are basically no restrictions regarding the form of the pick and place nozzle, except that excessive mechanical pressure on the surface of optical window parts must be prevented.
 - It is not recommend to cover the optical window of the LEDs with other resin (epoxy, urethane, etc)

3) Safety for eyes and skin

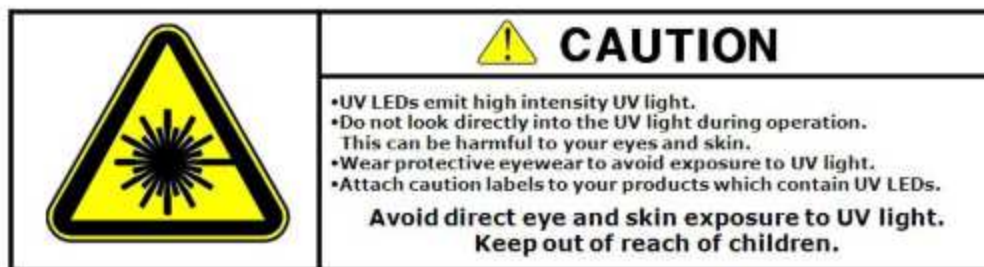
- The Products emit high intensity ultraviolet light which can make your eyes and skin harmful, So do not look directly into the UV light and wear protective equipment during operation.

4) Cleaning

- This device is not allowed to be used in any type of fluid such as water, oil, organic solvent , etc.

5) Others

- The appearance and specifications of the product may be modified for improvement without notice.
- When the LEDs are in operation the maximum current should be decided after measuring the package temperature.
- The driving circuit must be designed to allow forward voltage only when it is ON or OFF. If the reverse voltage is applied to LED, migration can be generated resulting in LED damage.
- Do not handle this product with acid or sulfur material in sealed space.



Reel Packaging

