



Chipsmall Limited consists of a professional team with an average of over 10 year of expertise in the distribution of electronic components. Based in Hongkong, we have already established firm and mutual-benefit business relationships with customers from,Europe,America and south Asia,supplying obsolete and hard-to-find components to meet their specific needs.

With the principle of “Quality Parts,Customers Priority,Honest Operation,and Considerate Service”,our business mainly focus on the distribution of electronic components. Line cards we deal with include Microchip,ALPS,ROHM,Xilinx,Pulse,ON,Everlight and Freescale. Main products comprise IC,Modules,Potentiometer,IC Socket,Relay,Connector.Our parts cover such applications as commercial,industrial, and automotives areas.

We are looking forward to setting up business relationship with you and hope to provide you with the best service and solution. Let us make a better world for our industry!



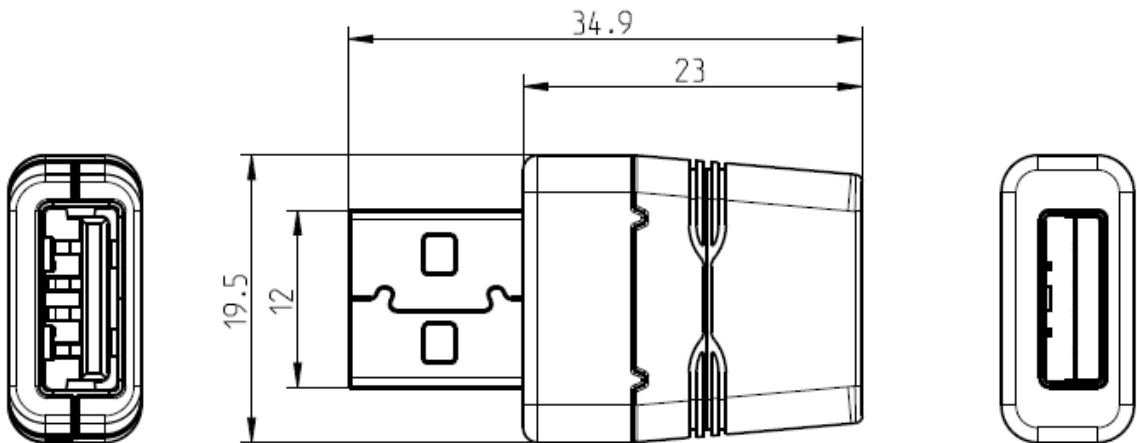
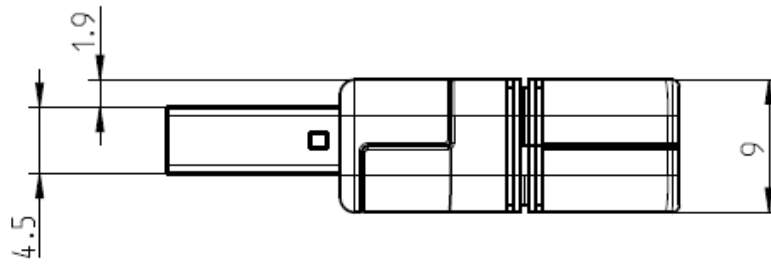
Contact us

Tel: +86-755-8981 8866 Fax: +86-755-8427 6832

Email & Skype: info@chipsmall.com Web: www.chipsmall.com

Address: A1208, Overseas Decoration Building, #122 Zhenhua RD., Futian, Shenzhen, China





All dimensions are in mm; tolerances according to ISO 2768 m-H

Interface

According to

External Interface between male and female USB 2.0 Typ A
Internal interface MagneticUSB 2.0

Documents

Assembly instruction n.a.
Panel piercing n.a.
Tape & reel packaging n.a.

MU

Adapter

MU1K101-S00Z

Material and plating

Connector parts

	Material	Plating
Ground	Bronze	Ni
Center contact	Bronze	Ni, selective Au
Outer contact	Cu	Ni
Plastic housing	PBT	RAL 9005
Magnets	Neodyme	Ni

Electrical data

USB Standard 2.0

Mechanical data

Mating cycles	min. 10000
Engagement force	xx N
Disengagement force	min. 5 N max. 7 N

Environmental data

Temperature range	-25°C to +55°C
Vibration	MIL-STD-202, Meth. 204, Cond. D
Shock	MIL-STD-202, Meth. 213, Cond. I
RoHS	compliant

Tooling

Crimping tool	n.a.
Crimp insert	n.a.

Suitable cables

n.a.

Packing

Standard	TBD
Weight	TBD

Safety instruction/Warnhinweis

Caution

Magnets can impact the function of pace makers and implantable cardioverter-defibrillators (e.g. actuation of reed switch). Keep a minimum distance of 0.5 m (50 cm) from magnetic components in order to prevent malfunction and danger to health.

Achtung

Magnete können die Funktion von Herzschrittmachern und implantierbaren Kardioverter-Defibrillatoren stören (z. B. durch Betätigen des Reedschalters). Ein Mindestabstand von 0,5 m (50 cm) zu den Magnetbauteilen ist einzuhalten, um Störungen und eine Gefahr für Leib oder Leben zu verhindern.

Draft	Date	Approved	Date	Rev.	Engineering change number	Name	Date
F.Michelmann	13/05/15	F.Michelmann	08.11.16	100	16-0004	M. Schönsmaul	08.11.16

Rosenberger Hochfrequenztechnik GmbH & Co. KG
 P.O.Box 1260 D-84526 Tittmoning Germany
www.rosenberger.de

Tel. : +49 8684 18-0
 Fax : +49 8684 18-499
 Email : info@rosenberger.de

Page

2 / 2