



Chipsmall Limited consists of a professional team with an average of over 10 year of expertise in the distribution of electronic components. Based in Hongkong, we have already established firm and mutual-benefit business relationships with customers from,Europe,America and south Asia,supplying obsolete and hard-to-find components to meet their specific needs.

With the principle of "Quality Parts,Customers Priority,Honest Operation,and Considerate Service",our business mainly focus on the distribution of electronic components. Line cards we deal with include Microchip,ALPS,ROHM,Xilinx,Pulse,ON,Everlight and Freescale. Main products comprise IC,Modules,Potentiometer,IC Socket,Relay,Connector.Our parts cover such applications as commercial,industrial, and automotives areas.

We are looking forward to setting up business relationship with you and hope to provide you with the best service and solution. Let us make a better world for our industry!



## Contact us

Tel: +86-755-8981 8866 Fax: +86-755-8427 6832

Email & Skype: info@chipsmall.com Web: www.chipsmall.com

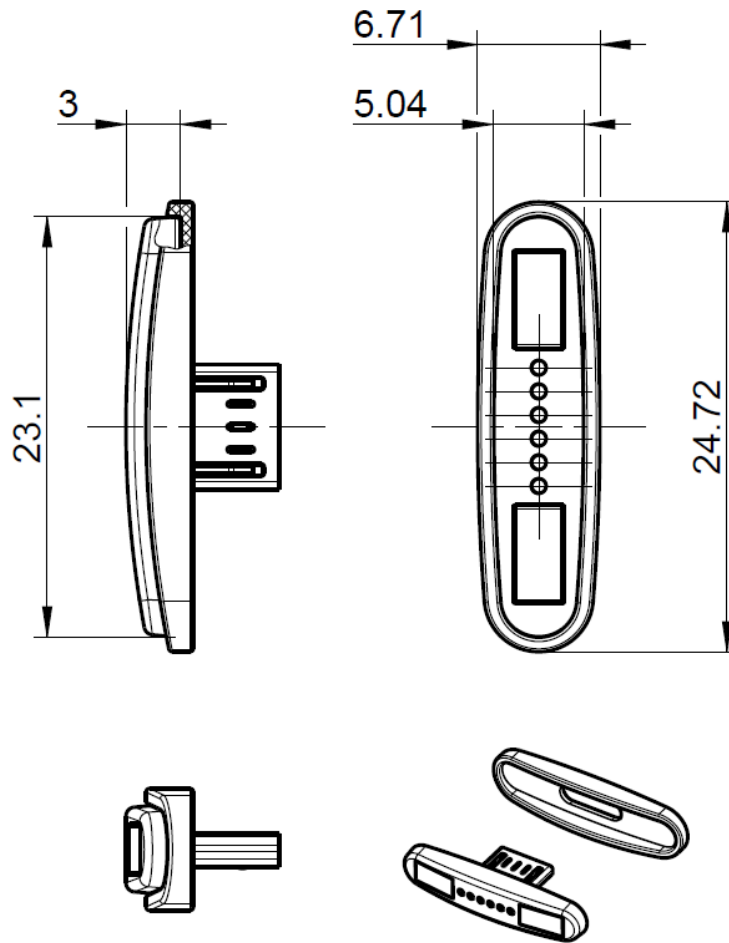
Address: A1208, Overseas Decoration Building, #122 Zhenhua RD., Futian, Shenzhen, China



MU

Magnetic Micro B Adapter

**MU1S199-K01L-Y**



All dimensions are in mm; tolerances according to ISO 2768 m-H

**General Information**

Magnetic Micro B Adapter with magnetic interface for Magnetic Micro B cable assembly

**Available Colour**

Description	Colour "Y" in
MU1S199-K01L-Y	A- white, similar RAL 9010
	B- black, similar RAL 9005

Dieses Dokument ist urheberrechtlich geschützt • This document is protected by copyright • Rosenberger Hochfrequenztechnik GmbH & Co. KG

RF\_35/09.14/6.2

MU

Magnetic Micro B Adapter

**MU1S199-K01L-Y**

**Material and Plating**

**Micro B Adapter**

Housing  
Magnets  
Gold contacts  
PCB  
Silicone cover

**Material**

PC+ABS  
NdFeB  
Brass  
FR4  
Silicone

**Plating/ Colour**

see colour table  
Nickel plated  
Gold plated  
--  
see colour table

**Connectors**

Micro B Plug

USB Micro B acc. to USB 2.0 On-The-Go Specification

**Electrical Data**

Designed for USB 2.0 Specification

5 V DC, 0.5 A, 480 Mbit/s

Test voltage

500 V DC

Insulation resistance @500V

≥ 100 MΩ

Contact resistance

typically ≤ 50 mΩ

**Mechanical Data**

Disengagement force magnetic interface

6- 11 N

Disengagement force Micro B plug

11- 16 N

Mating cycles magnetic interface with load acc. to USB 2.0

min. 10.000

**Environmental Data**

Temperature range

-20 °C to +50 °C

Magnets start losing their magnetic properties above 65 °C

Dieses Dokument ist urheberrechtlich geschützt • This document is protected by copyright • Rosenberger Hochfrequenztechnik GmbH & Co. KG

RF\_35/09.14/6.2

MU

Magnetic Micro  
B Adapter

**MU1S199-K01L-Y**

**Compliance**

RoHS compliant

**Packing**

Standard 200 pcs per blister  
Weight Depending on tbd

**Caution!**

**Magnets can impact the function of pace makers and implantable cardioverter-defibrillators (e.g. actuation of reed switch). Keep a minimum distance of 0.2 m (20 cm) between the magnetic connector and the implanted devices to prevent malfunction and danger to health.**

While the information has been carefully compiled to the best of our knowledge, nothing is intended as representation or warranty on our part and no statement herein shall be construed as recommendation to infringe existing patents. In the effort to improve our products, we reserve the right to make changes judged to be necessary.

Draft	Date	Approved	Date	Rev.	Engineering change number	Name	Date
M. Portenkirchner	23.03.16	C. Kainzmaier	06.06.18	400	18-0003	M. Margadt	06.06.18

Rosenberger Hochfrequenztechnik GmbH & Co. KG  
P.O.Box 1260 D-84526 Tittmoning Germany  
[www.rosenberger.de](http://www.rosenberger.de)

Tel. : +49 8684 18-0  
Email : [info@rosenberger.de](mailto:info@rosenberger.de)

Page

3 / 3